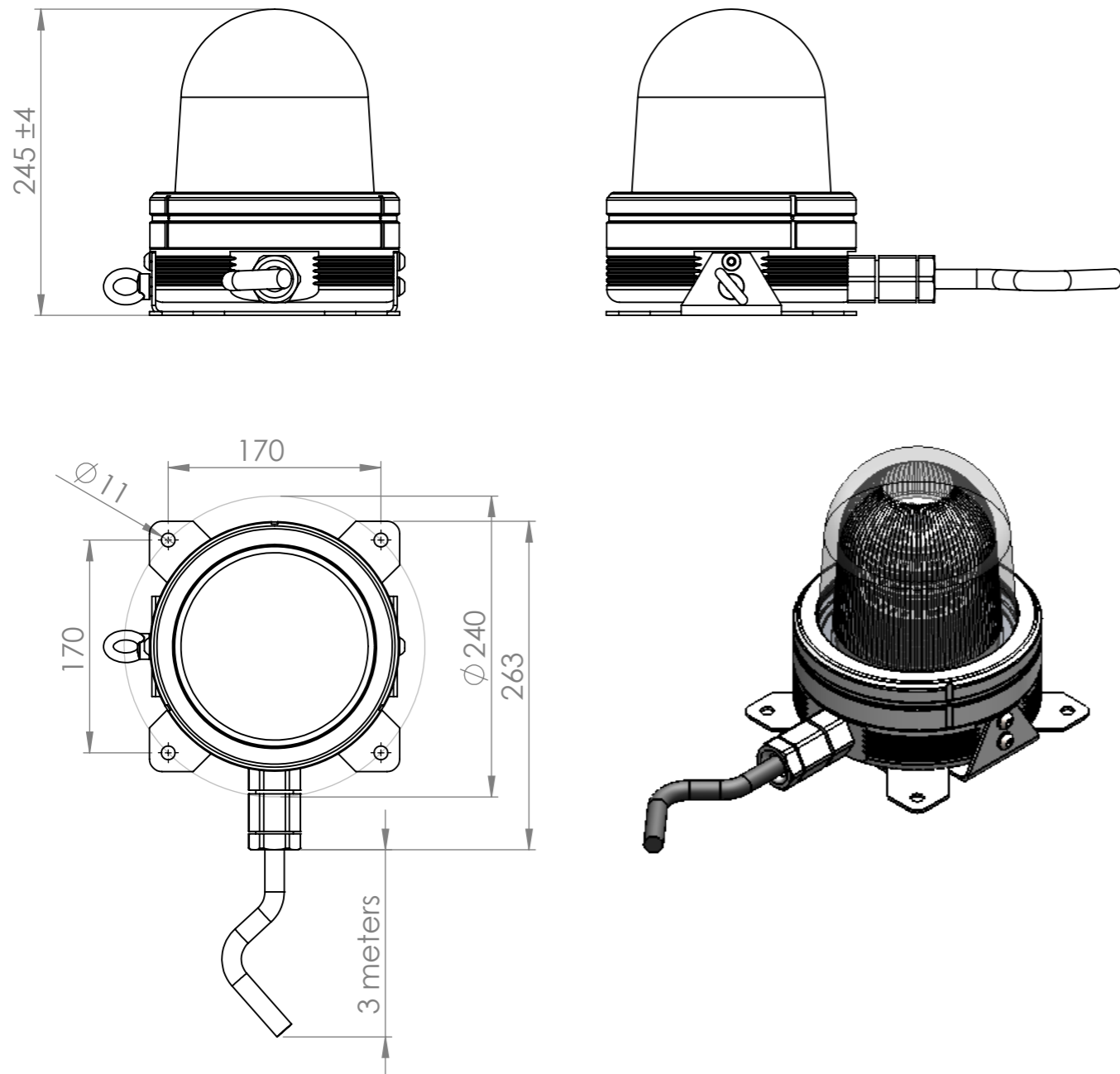
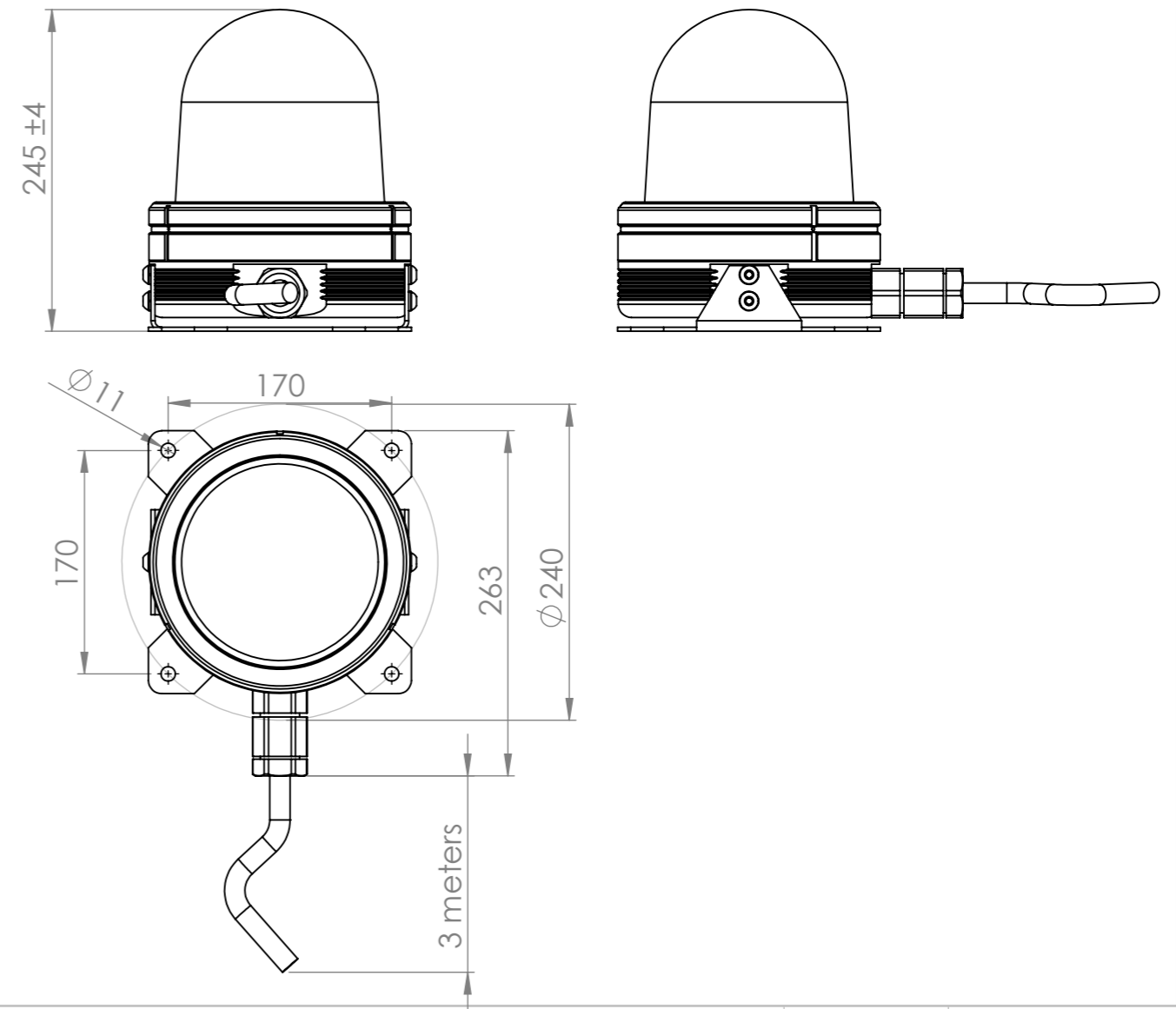


Med øyemutter



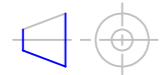
Uten øyemutter



TRANBERG

Strandsvingen 6, P.O.Box 8003
N-4068 STAVANGER, NORWAY
www.tranberg.com info@tranberg.com

Projection



Unless otherwise specified:
Dimensions are in mm.
Tolerances according to
ISO 2768-M

9980 000
Status/Wave-off light
Main light

GA Drawing

Drw. no. **000A111478**

File **000A111478**

Subst. for

Subst. by

Page **1 of 1**

Scale **1:5**

Date

Design

Rev.

Format
A3

Approvals

Cust.

Contr.

Appr.

THE INFORMATION CONTAINED IN THIS DRAWING IS THE SOLE PROPERTY OF TRANBERG AS. ANY REPRODUCTION IN PART OR AS A WHOLE WITHOUT THE WRITTEN PERMISSION OF TRANBERG AS IS PROHIBITED. TRANBERG AS