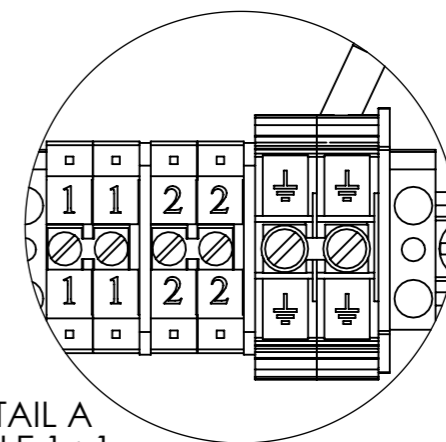


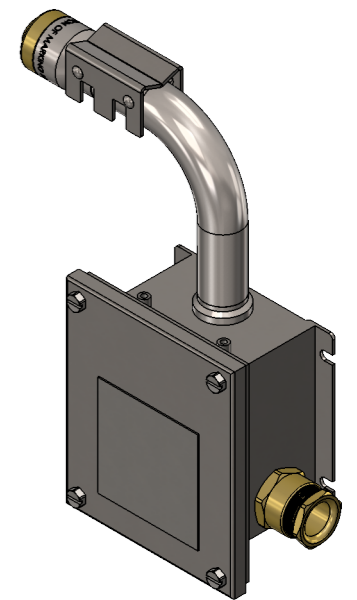
Pos	No	Part No.	Description	Material
1	1	1058 11	Junction box TEF 1058 1116 / 1058 1136	SS316L
2	1	3214	Junction box Lid	SS316L
3	1	6078	Bend M28/M25	Brass/SS316
4	1	6061	Mounting Bracket for pipe TEF 7731	SS316L
5	1	7302 101	Drain Plug M25	Brass
6	1	6222 510	Cable Gland Exe E204/M25/D1/9mm	Brass
7	1	6502 500	Stopping plug Exe M25	Brass
8	4	5028 1221	Phoenix terminals MXK4	
9	2	5028 1313	Phoenix MBK6/E	
10	2	5028 1222	Phoenix End Plate D-MXK4	
11	1	5028 1314	Phoenix End Plate D-MBK 6/E	
12	2	5028 1141	Phoenix End Holder E/MK 1	
13	1		Type Label	

Internal label:  
Add Internal label for 1058 junction boxes.  
Has to be placed **inside** the box

Art. no.: 105811xx-xxxx  
Serial no.: xxxxx-year  
Max 5,8W



DETAIL A  
SCALE 1 : 1

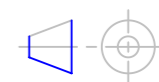


REVISIONS			
REV.	DESCRIPTION	DATE	SIGN.
A	UPDATED	15.10.2015	-
B	marking illustration, Internal label and sleeves added	27.04.2017	-
C	Added mounting bracket for terminal rail ++	05.04.2019	CKR

**TRANBERG**

Strandsvingen 6, P.O.Box 8003  
N-4068 STAVANGER, NORWAY  
www.tranberg.com info@tranberg.com

Projection



Unless otherwise specified:  
Dimensions are in mm.  
Tolerances according to  
ISO 2768-M

TEF 1058 1116 and 1058 1136  
Pipe Mounted  
Heat Trace Junction Box

Customer Drawing

Drw. no. **100A108865**

Rev.

**C**

File **100A108865**

Subst. for

Format

Subst. by

**A3**

Page **1 of 1**

Approvals

Scale **1:2**

Cust.

Date **06.08.2014**

Contr.

Design **CKR**

Appr.