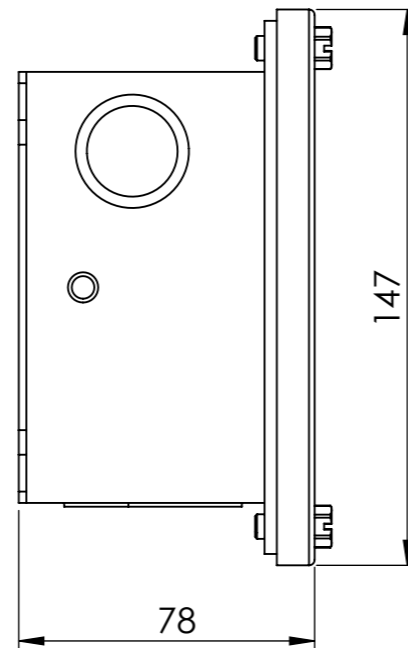
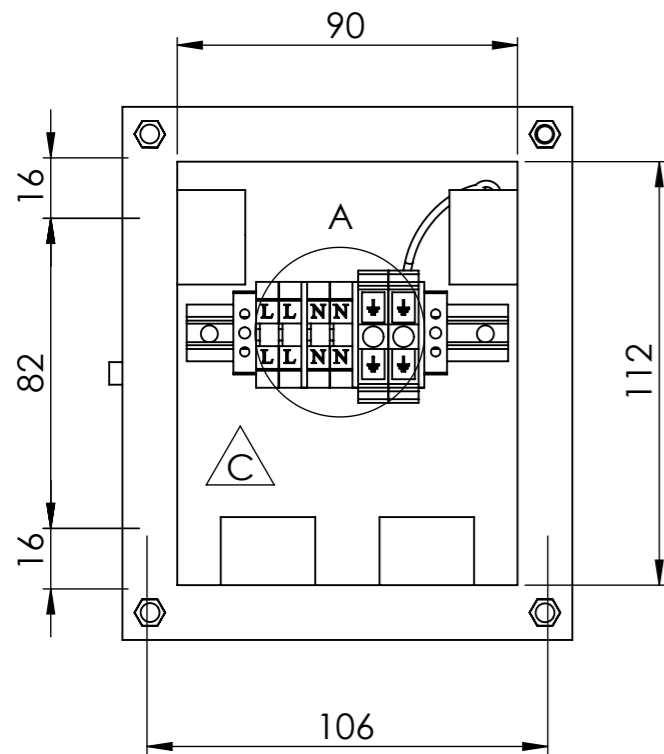


Art. no.: 105811xx-xxxx
 Serial no.: xxxxx-year
 Max 5,8W

Internal label: Add Internal label for 1058 Junction boxes. Has to be placed **inside** the box.



REVISIONS			
REV.	DESCRIPTION	DATE	APPROVED
A	Marking Illustration, Internal label and sleeves added	08.05.2017	G.L.
B	Marking changed, readable from one side. Internal marking in BOX	18.05.2017	AKA
C	Removed 3 x sleeves	12.04.2018	CKR



R. Stahl Tranberg AS
 Strandsvingen 6, N-4032 Stavanger, Norway
 Luhrtoppen 2, N-1470 Lørenskog, Norway
 info@stahl-tranberg.com
 www.stahl-tranberg.com

Projection



Unless otherwise specified:
 Dimensions are in mm.
 Tolerances according to
 ISO 2768-M

TEF 1058 1108 and 1058 1128
 Heat Trace Junction Box

GA Drawing

Drw. no.: **100A109935** Rev. **C**

Subst. for: Subst. by: Format **A3**

Scale: **1:2**

Date: **Wall Mounted** Design: **G.L.** **Ex**

The information contained in this drawing is the sole property of R. Stahl Tranberg AS. Any reproduction in part or as a whole without the written permission of R. Stahl Tranberg AS is prohibited.