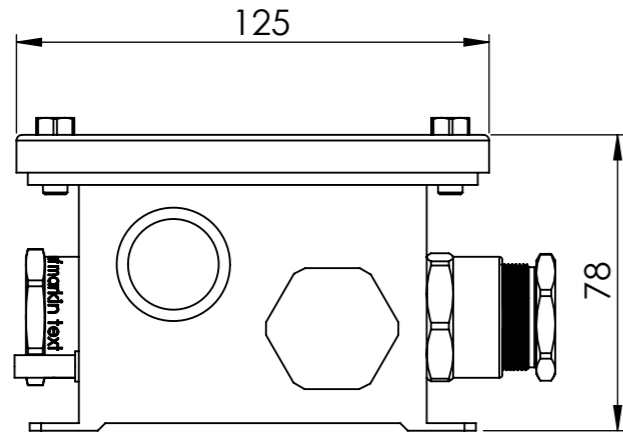
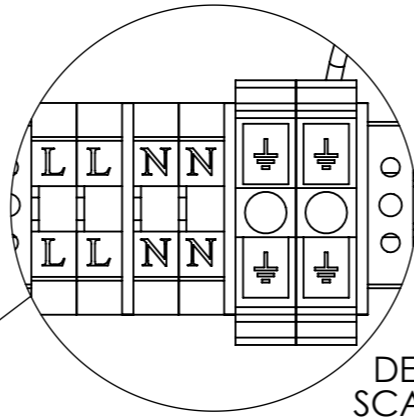
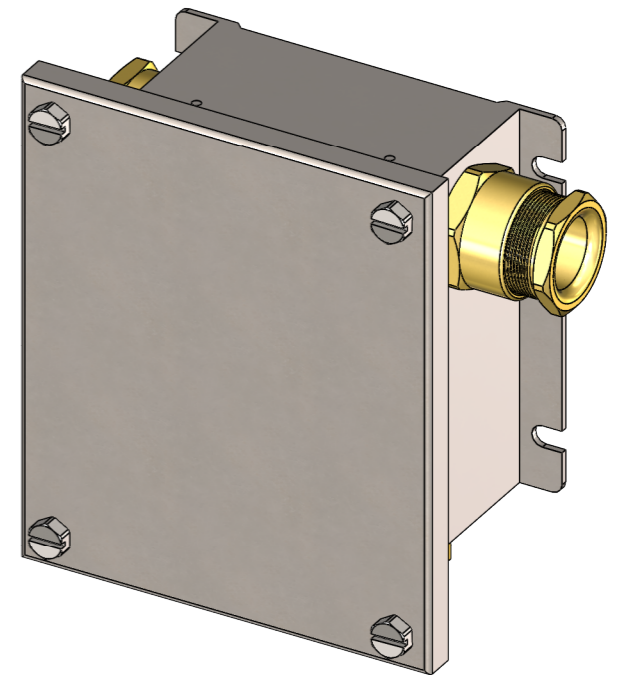


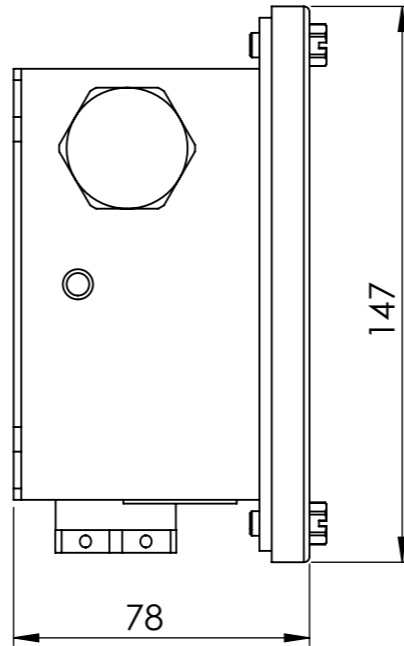
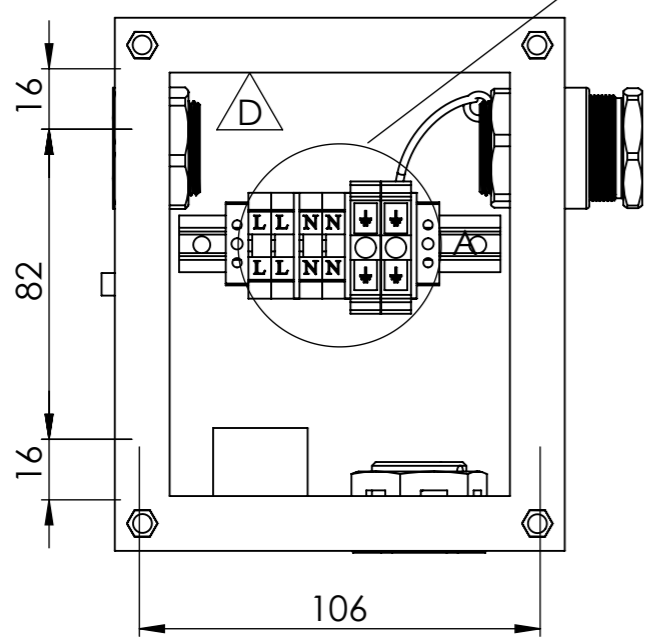
Internal label: Add Internal label for 1058 Junction boxes.
Has to be placed **inside** the box.



Art. no.: 105811XX
Serial no.: xxxxxxxx-yy
MAX 5,8 W



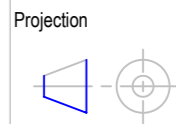
DETAIL A
SCALE 1 : 1



REVISIONS			
REV.	DESCRIPTION	DATE	APPROVED
A	Internal label added	06.09.2016	AKA
B	Added DBI-DUT in cable gland	06.09.2016	AKE
C	Marking on both sides of terminals, sleeves added	18.04.2017	G.L.
D	Removed 3 x sleeves	12.04.2018	CKR



R. Stahl Tranberg AS
Strandsvingen 6, N-4032 Stavanger, Norway
Luhrtoppen 2, N-1470 Lørenskog, Norway
info@stahl-tranberg.com
www.stahl-tranberg.com



Unless otherwise specified:
Dimensions are in mm.
Tolerances according to
ISO 2768-M

TEF 1058 1118 and TEF 1058 1138
Wall Mounted
Heat Trace Junction Box

GA Drawing

Drw. no.: **100A109936** Rev. **D**

Subst. for: Subst. by: Format **A3**

Scale: **1:2**

Date: **06.09.16**
Design: **G.L.**

Ex

The information contained in this drawing is the sole property of R. Stahl Tranberg AS. Any reproduction in part or as a whole without the written permission of R. Stahl Tranberg AS is prohibited.