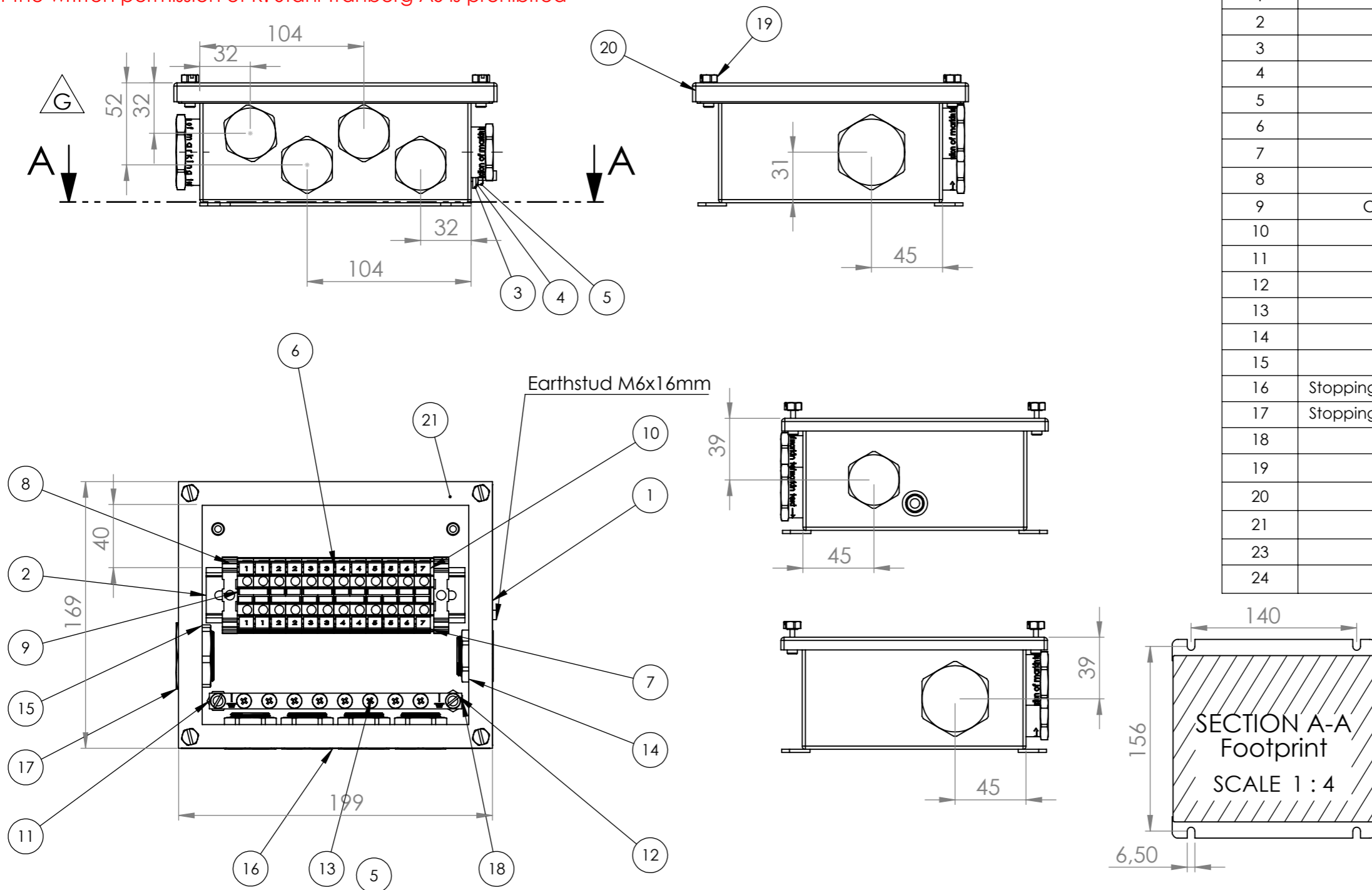
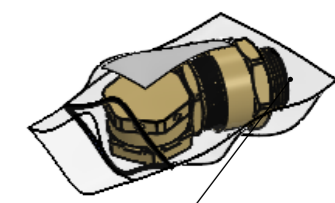


The information contained in this drawing is sole property of R.Stahl Tranberg AS. Any reproduction in part or as whole without the written permission of R. Stahl Tranberg AS is prohibited



ITEM NO.	DESCRIPTION	PartNo	QTY.
1	Box	3150	1
2	TERMINAL RAIL SS35	2816	1
3	Washer M6	51613001	1
4	Spring lock washer M6	51513001	1
5	Nut M6	51713001	1
6	Terminal UT 10	50281325	12
7	END PLATE D-UT 2,5/10	50281319	1
8	End stopper E-NS-35-N	50281014	2
9	Cross Connection FBS 2-10	50281431	5
10	UCT-TM10 Marking label	-	2
11	PE-BUS BAR 10x3	2546	1
12	Screw M5x12	51012020	2
13	Screw M5x6	51012017	8
14	Lock Nut M25	7957004	5
15	Lock Nut M32	7957005	1
16	Stopping Plug Exe: TEF794/650 M25/9mm	6502500	5
17	Stopping Plug Exe: TEF794/650 M32/9mm	6503200	1
18	Spacer	1484	2
19	SLOTTED BOLT M5x12	51012033	4
20	Lid	3129	1
21	GASKET FOR LID JB	50030077	1
23			10
24	External mounting rail	2480	2



1 PC M25 drain plug and 1 pc M25 cable gland packed inside JB

REVISIONS				
REV.	DESCRIPTION	DATE	By	APPR.
D	Added dimetions	07.12.2021	ARS	ARS
E	Added dimensions, moved stopping plugs slightly to avoid conflict with flange. Added gasket, lid and section view A-A	06.12.2022	CKR	CKR
F	Corrected ext. mounting rail w/correct no of mounting holes	21.02.2023	CKR	CKR
G	Added dimetions	22.12.2023	ARS	ARS

**STAHL**  
**TRANBERG**

R. Stahl Tranberg AS  
Strandsvingen 6,  
N-4032 Stavanger  
Norway  
Info.no-st@stahl.com  
www.stahl-tranberg.com

TEF 10582089 Junction box  
for TEF 9980 Single light

Production Drawing

Drw. no.:	Scale:	Rev.:
<b>100A111350</b>	<b>1:3</b>	<b>G</b>
Date:	Design:	Format:
<b>24.10.2016</b>	<b>AKA</b>	<b>A3</b>
<b>Page 1 of 1</b>		