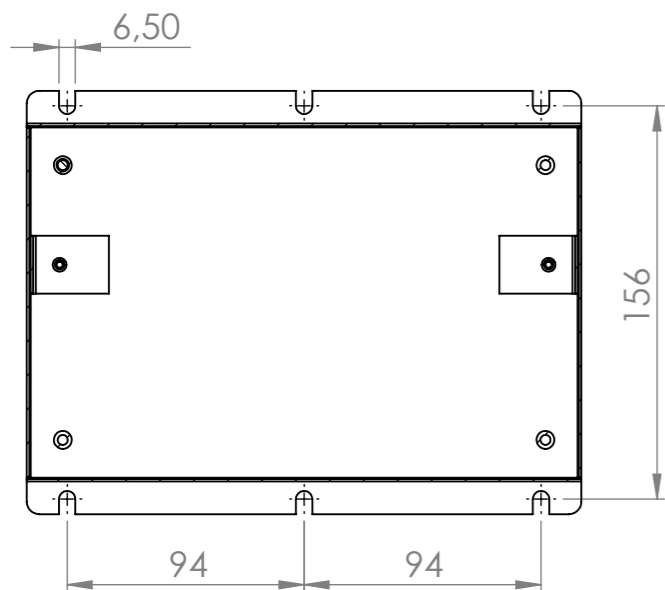
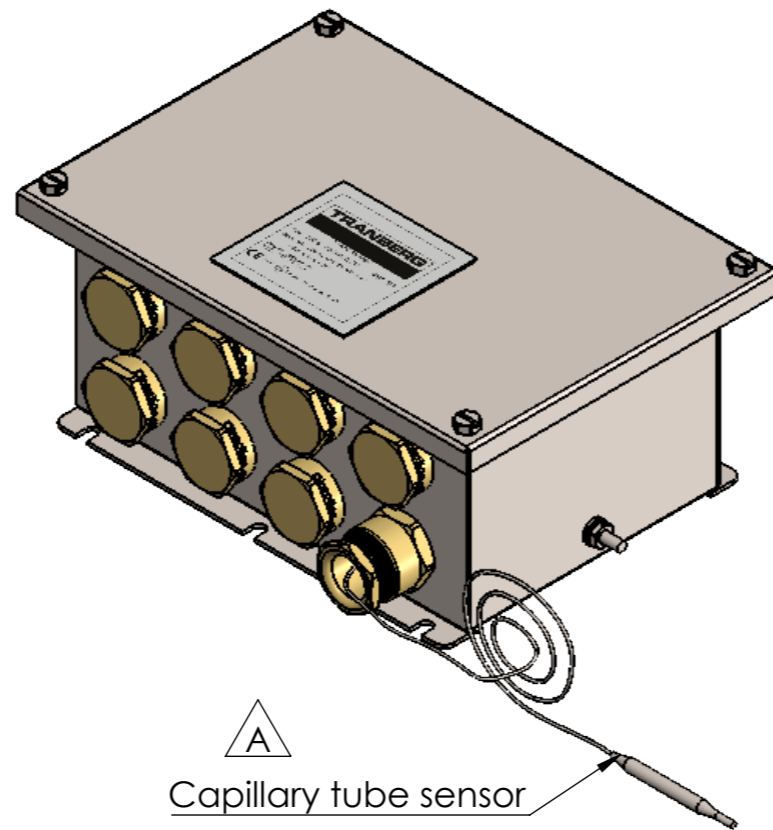


Marking on terminals:
 4xEarth, 1xN, 2xN, 1x4, 2x2, 2xL



SECTION A-A
 Mounting dimensions



REVISIONS			
REV.	DESCRIPTION	DATE	SIGN
A	Added capillary tube sensor	09.05.2019	CKR
B	Change description	22.05.2019	ARS



R. Stahl Tranberg AS
 Strandsvingen 6, N-4032 Stavanger, Norway
 Luhrtoppen 2, N-1470 Lørenskog, Norway
 info@stahl-tranberg.com
 www.stahl-tranberg.com

Projection



Unless otherwise specified:
 Dimensions are in mm.
 Tolerances according to
 ISO 2768-M

TEF 1058258X Thermostat
 Capillary Tube
 For Wall Mounting

Customer Drawing

Drw. no.: **100A112366** Rev. **B**

Subst. for: Subst. by: Format **A3**

Scale: **1:3**

Date: **30.03.2017** Design: **CKR** **Ex**

The information contained in this drawing is the sole property of R. Stahl Tranberg AS. Any reproduction in part or as a whole without the written permission of R. Stahl Tranberg AS is prohibited.