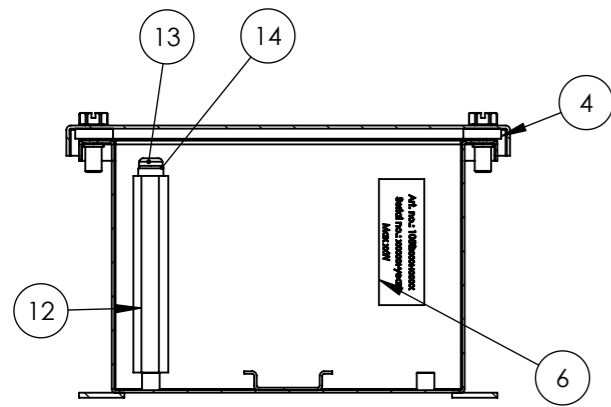
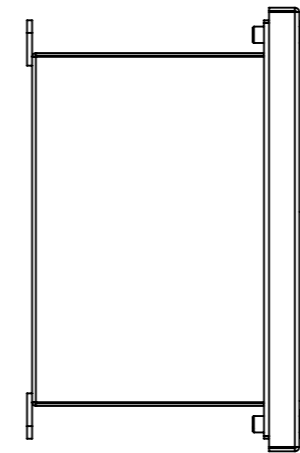
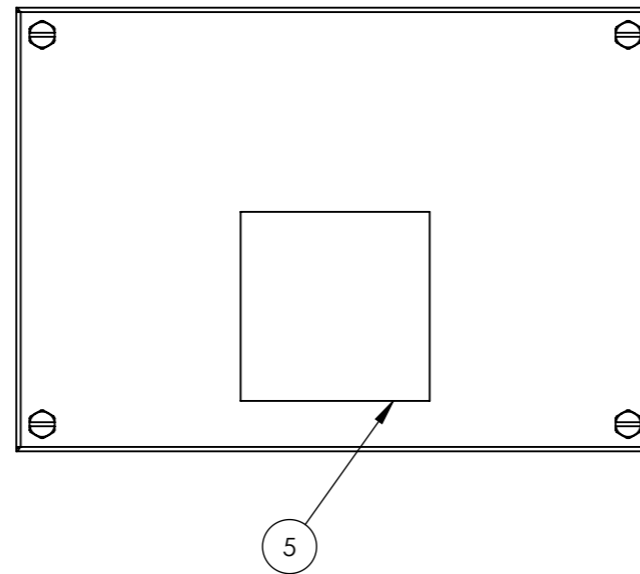
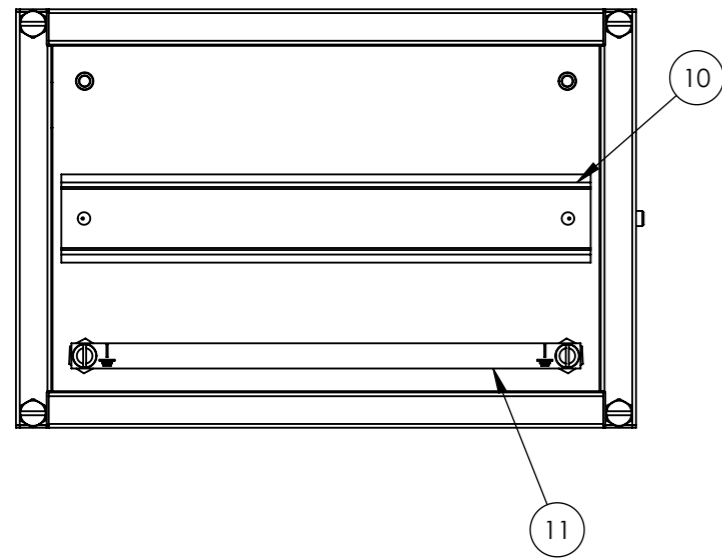
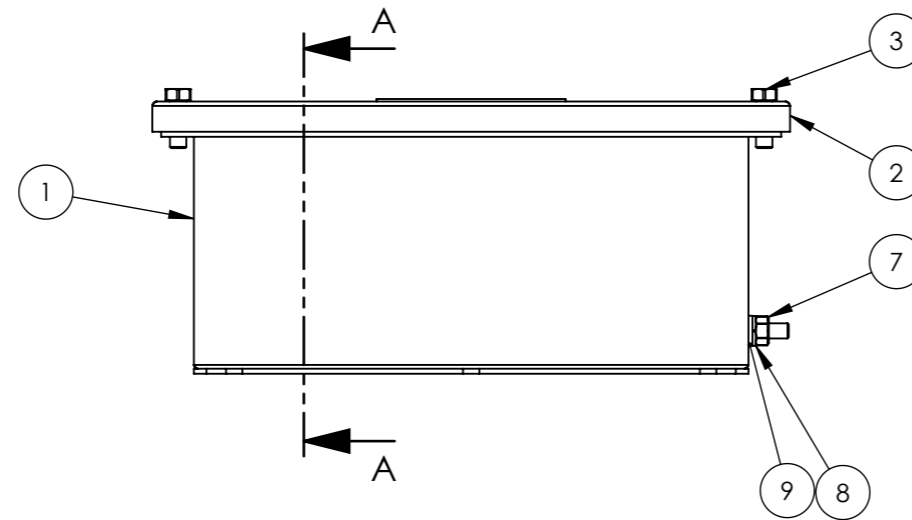


The information contained in this drawing is sole property of R. Stahl tranberg AS.
Any reproduction in part or as whole without the written permission of R. Stahl Tranberg AS is prohibited



SECTION A-A

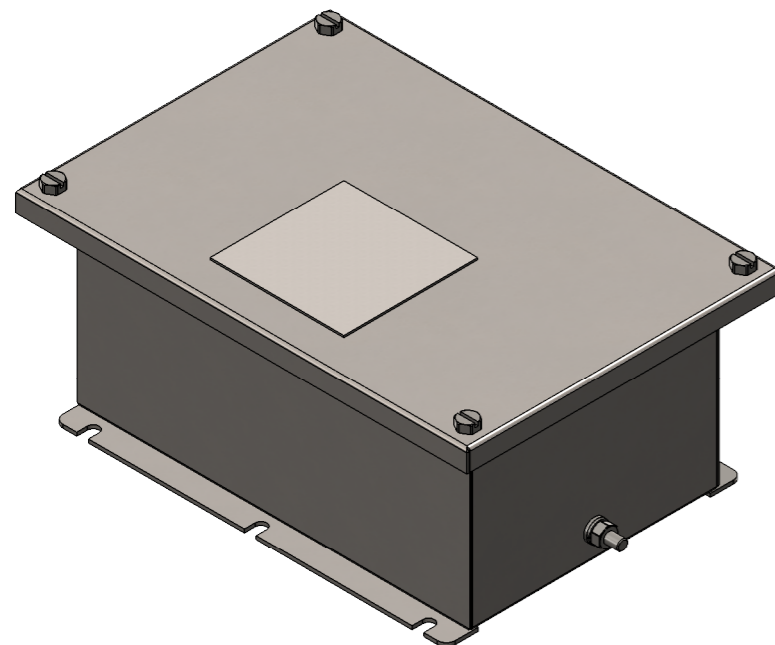


ITEM NO.	Description	PartNo	QTY.
1	Junction Box 105825xx	3200	1
2	Lid for JB	6013	1
3	SLOTTED BOLT M5x12	51012033	4
4	GASKET FOR LID JB	50030077	1
5	Type Label IECEx		1
6	Internal marking label	N/A	1
7	Nut M6	51713001	1
8	Spring lock washer M6	51513001	1
9	Washer M6	51613001	1
10	TERMINAL RAIL SS35	4034	1
11	PE-BUS BAR 10x3	1482	1
12	SPACER	2056	2
13	Slotted bolt M5x12	51012033	2
14	Spring lock washer M5	51512001	2

Certification:
Presafe 14ATEX4124
IECEX PRE 14.0001
II 2 G Ex eb IIC Gb T5

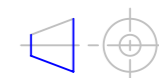
Ambient temperature:
-20°C to +40°C

Degree of protection:
IP 66



R. Stahl Tranberg AS
Strandsvingen 6, N-4032 Stavanger, Norway
Luhrtoppen 2, N-1470 Lørenskog, Norway
info@stahl-tranberg.com
www.stahl-tranberg.com

Projection



Unless otherwise specified:
Dimensions are in mm.
Tolerances according to
ISO 2768-M

TEF 10580501 Junction Box

Drw. no.: **100A114310** Rev. -

Subst. for: Subst. by: Format **A3**

GA Drawing

Scale: **1:3**

The information contained in this drawing is the sole property of R. Stahl Tranberg AS. Any reproduction in part or as a whole without the written permission of R. Stahl Tranberg AS is prohibited.

Date: **07.08.2018** Design: **CKR** **Ex**