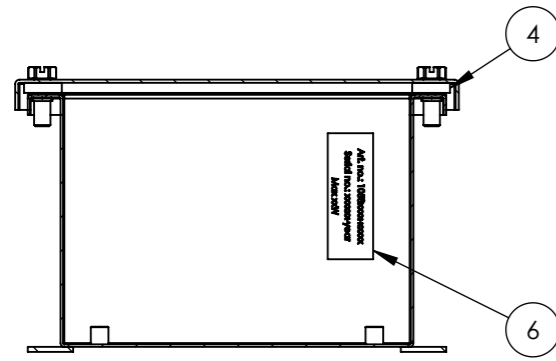
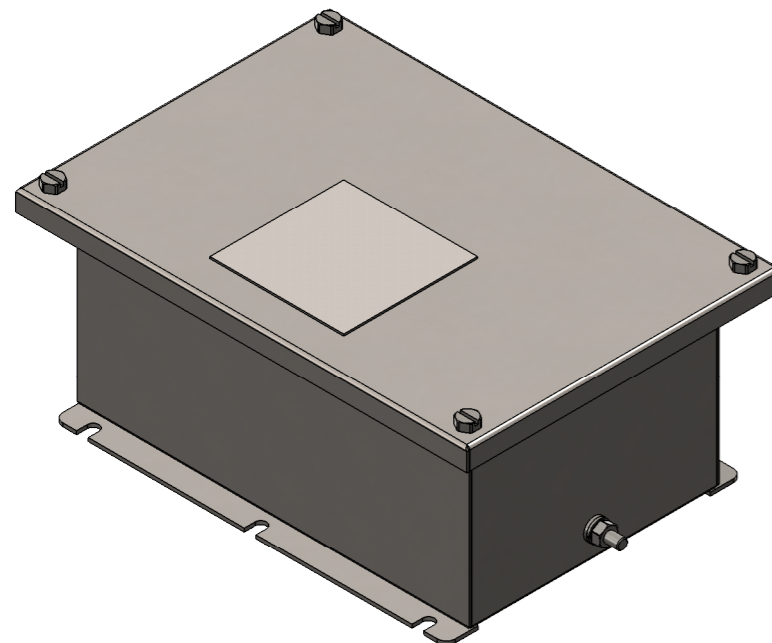
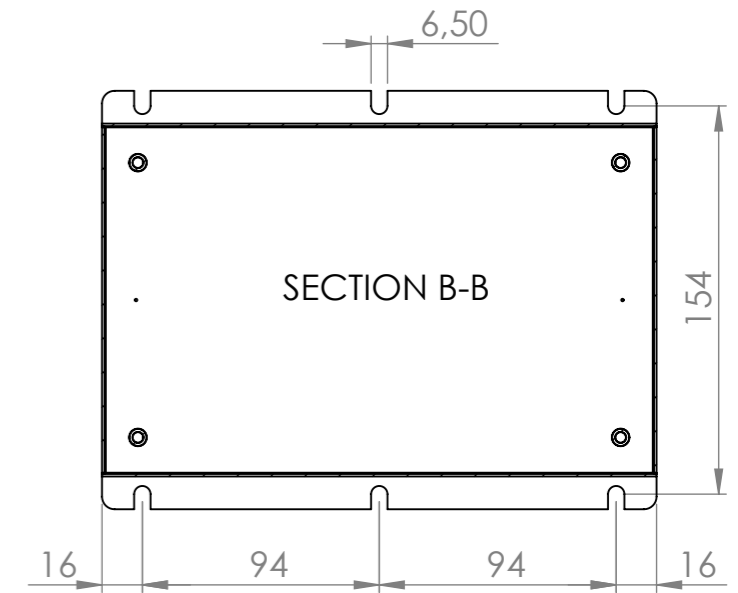
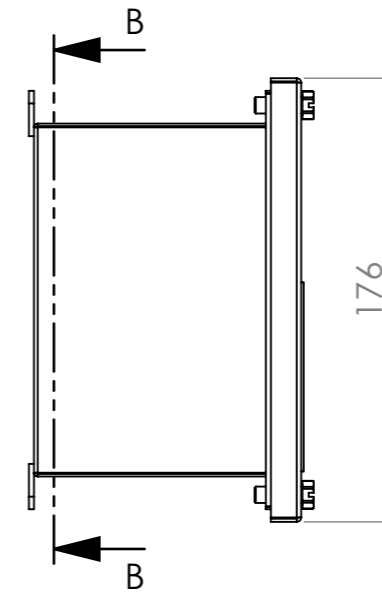
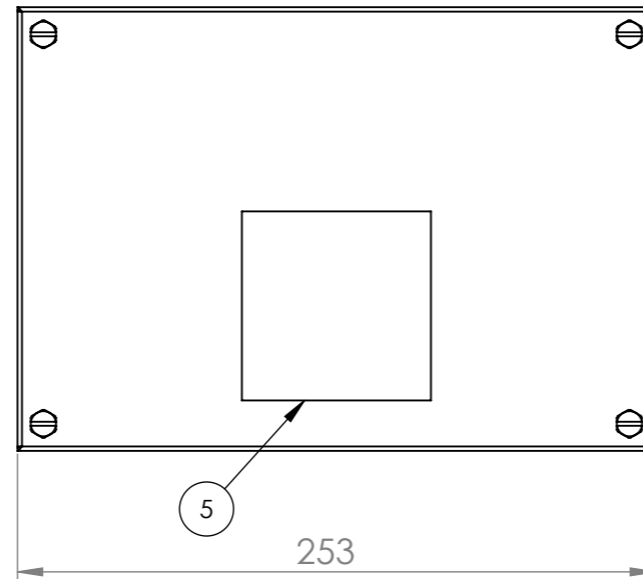
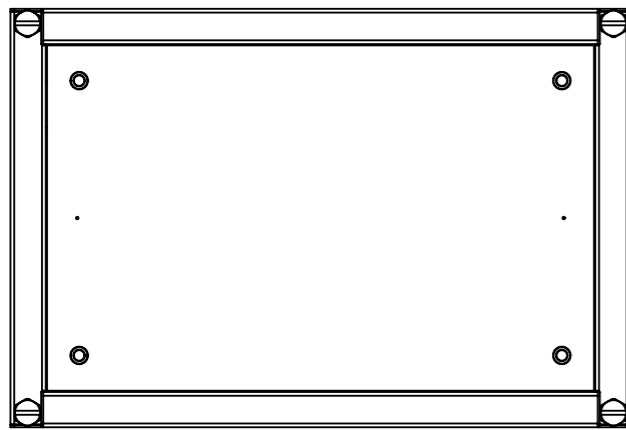
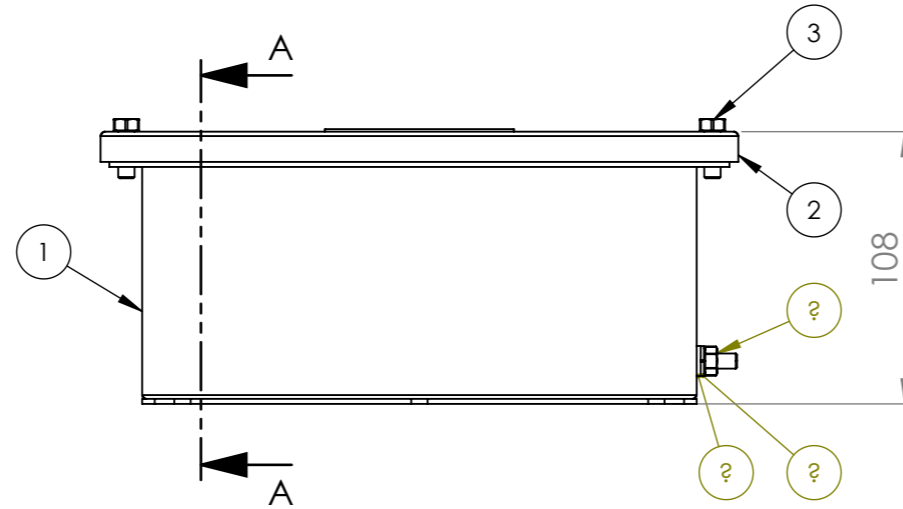


The information contained in this drawing is sole property of R. Stahl tranberg AS.
Any reproduction in part or as whole without the written permission of R. Stahl Tranberg AS is prohibited

BOM Table			
ITEM NO.	Description	PartNo	QTY.
1	Junction Box 105825xx	3200	1
2	Lid for JB	6013	1
3	SLOTTED BOLT M5x12	51012033	4
4	GASKET FOR LID JB	50030077	1
5	Type Label IECEX		1
6	Internal marking label	N/A	1
7	Washer M6	51613001	1
8	Spring lock washer M6	51513001	1
9	Nut M6	51713001	1



SECTION A-A



Certification:
Presafe 14ATEX4124
IECEX PRE 14.0001
II 2 G Ex eb IIC Gb T5

Ambient temperature:
-20°C to +40°C

Degree of protection:
IP 66



R. Stahl Tranberg AS
Strandsvingen 6, N-4032 Stavanger, Norway
Luhrtoppen 2, N-1470 Lørenskog, Norway
info@stahl-tranberg.com
www.stahl-tranberg.com

Projection



Unless otherwise specified:
Dimensions are in mm.
Tolerances according to
ISO 2768-M

TEF 10582500 Junction Box

GA Drawing

Drw. no.: **100A114311** Rev. -

Subst. for: Subst. by: Format **A3**

Scale: **1:3**

Date: **08.08.2018** Design: **CKR** **Ex**

The information contained in this drawing is the sole property of R. Stahl Tranberg AS. Any reproduction in part or as a whole without the written permission of R. Stahl Tranberg AS is prohibited.