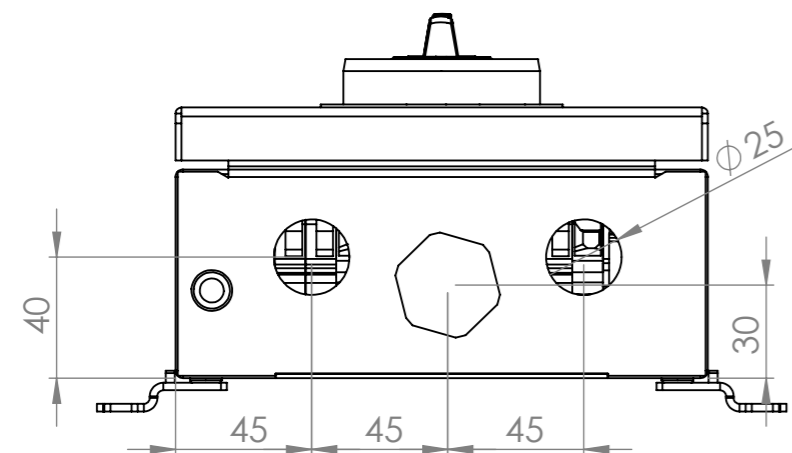
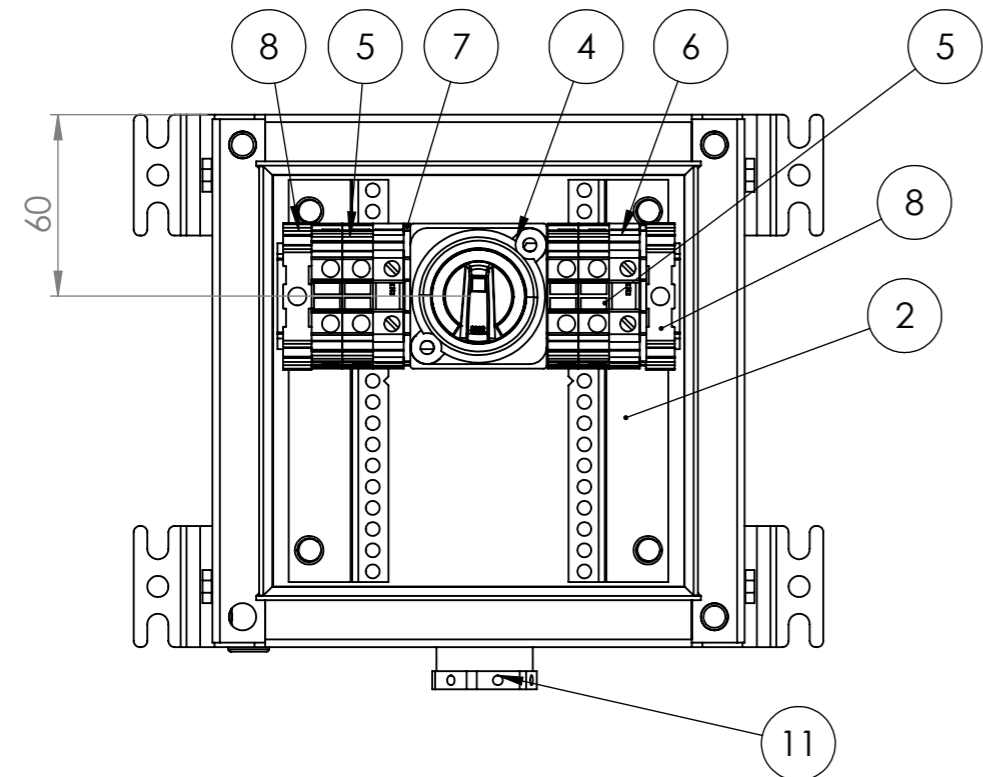
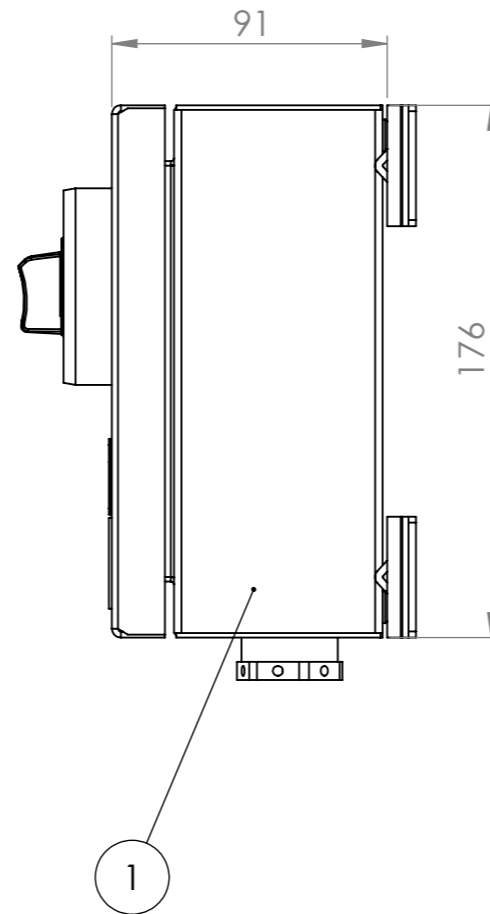
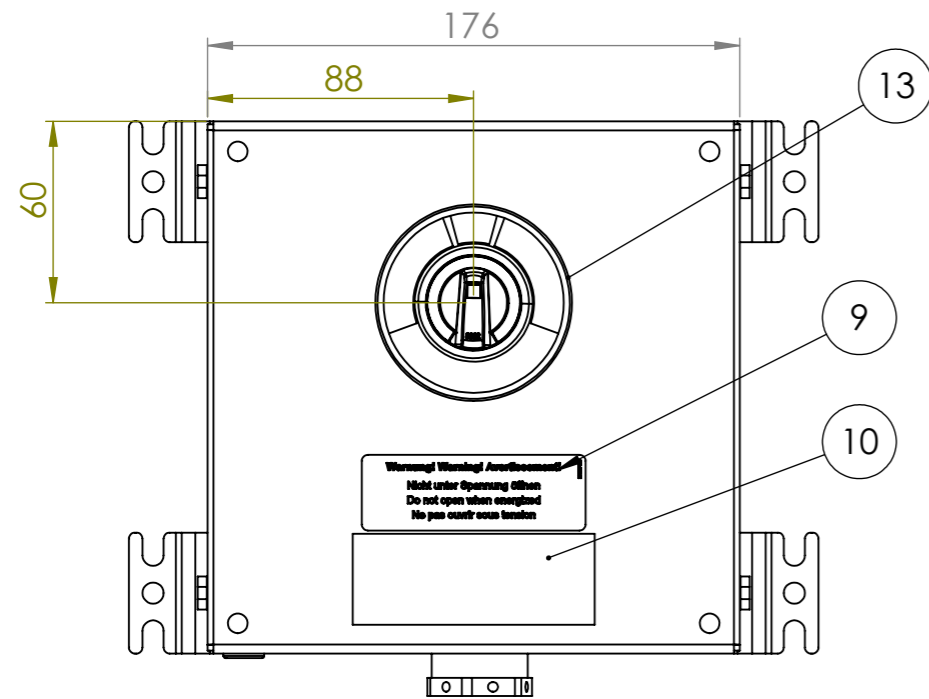


ITEM NO.	PartNo	DESCRIPTION	QTY.
1	58150-85927	8150 enclosure	1
2	7060	Rail 8150 Z 112	2
3	7472	Din Rail	1
4	50302015	R.Stahl 8008/2-002 Switch 2P "0-1"	1
5	50281325	Terminal UT 10	4
6	50281330	Earth terminal UT10 PE	2
7	50281319	END PLATE D-UT 2,5/10	2
8	50281014	End stopper E-NS-35-N	2
9	50302012	Warning label	1
10	-	Ex- and Type label	1
11	7312101	TEF 730 Drain plug M25	1
12	58150131	Distance rail for 8150 13mm	2
13	S504116	R.Stahl Actuator 8602C3-731-S-90X-E02	1



Electrical Data:
Max 415V 16A

Certification:
PTB 09ATEX1109
IECEX PTB 09.0049
II 2 G Ex db eb IIC T5 Gb

Ambient temperature:
-40°C to +50°C

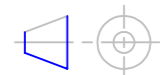
Degree of protection:
IP 66

REVISIONS			
REV.	DESCRIPTION	DATE	APPROVED
A	Updated gland location	08.11.2019	ARS
B	Changed p/n din rail	24.09.2021	EAÅ
C	Chenged actuator	01.10.2021	ARS
D	Added Eleictrical Data	03.10.2022	ARS
E	Updated drain plug	10.01.2023	MOD



R. Stahl Tranberg AS
Strandsvingen 6, N-4032 Stavanger, Norway
Luhrtoppen 2, N-1470 Lørenskog, Norway
info@stahl-tranberg.com
www.stahl-tranberg.com

Projection



Unless otherwise specified:
Dimensions are in mm.
Tolerances according to
ISO 2768-M

81505001
STAHl SERIES 8150
1x16 AMP SWITCH FOR HEAT TRACE
General arrangement drawing

Drw. no.: **100A116124** Rev. **E**

Subst. for: Subst. by: Format **A3**

Scale: **1:2.5**

Date: **18.09.2019**

Design: **MRE**

Ex

The information contained in this drawing is the sole property of R. Stahl Tranberg AS. Any reproduction in part or as a whole without the written permission of R. Stahl Tranberg AS is prohibited.