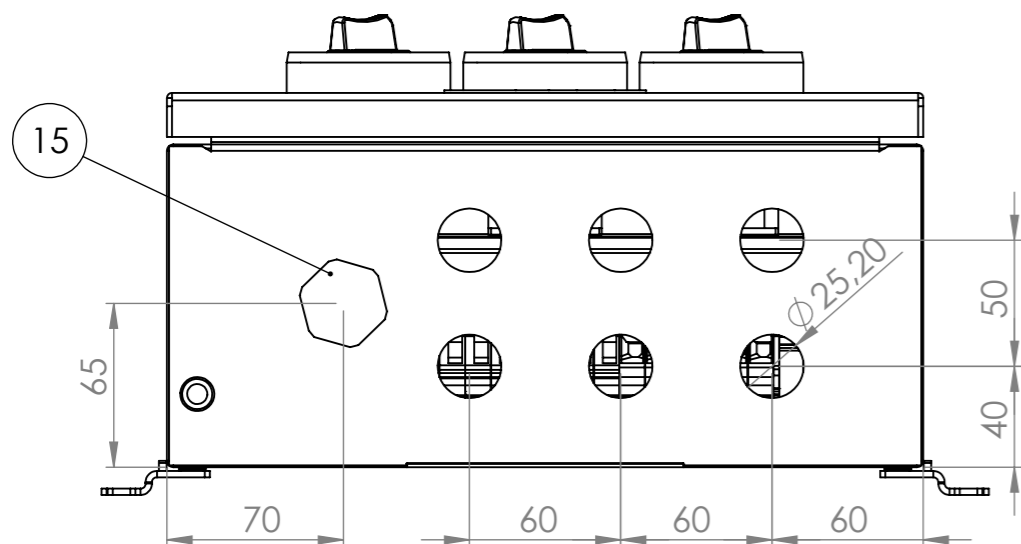


Marked 1-12 both sides



ITEM NO.	PartNo	DESCRIPTION	QTY.
1	58150-81672	8150 enclosure	1
2	7061	Rail 8150 Z 140	2
3	7075	SS-rail serrated 8150 196	1
4	7069	SS-rail 8150 196	1
5	S504116	R.Stahl Actuator 8602C3-731-S-90X-E02	3
6	50302015	R.Stahl 8008/2-002 Switch 2P "0-1"	3
13	50281325	Terminal UT 10	12
8	50281330	Earth terminal UT10 PE	6
9	50281319	END PLATE D-UT 2,5/10	1
10	50281014	End stopper E-NS-35-N	2
11	58150131	Distance rail for 8150 13mm	4
12	1477	Spacer M5 65mm	2
13	50302012	Warning label	1
14	-	Ex- and Type label	1
15	7312101	TEF 730 Drain plug M25	1

Electrical Data:
Max 415V 16A

Certification:
PTB 09ATEX1109
IECEX PTB 09.0049
II 2 G Ex db eb IIC T5 Gb

Ambient temperature:
-40°C to +50°C

Degree of protection:
IP 66

REVISIONS			
REV.	DESCRIPTION	DATE	APPROVED
01	Updated actuator, added Electrical Data	03.10.2022	ARS
02	Updated drain plug	10.01.2023	MOD



R. Stahl Tranberg AS
Strandsvingen 6, N-4032 Stavanger, Norway
Luhrtoppen 2, N-1470 Lørenskog, Norway
info@stahl-tranberg.com
www.stahl-tranberg.com

Projection



Unless otherwise specified:
Dimensions are in mm.
Tolerances according to
ISO 2768-M

81505002
STAHl SERIES 8150
3x16 AMP SWITCH FOR HEAT TRACE
General arrangement drawing

Drw. no.: **100A116146** Rev. **02**

Subst. for: Subst. by: Format **A3**

Scale: **1:3**

Date: **26.09.2019** Design: **MRE** **Ex**

The information contained in this drawing is the sole property of R. Stahl Tranberg AS. Any reproduction in part or as a whole without the written permission of R. Stahl Tranberg AS is prohibited.