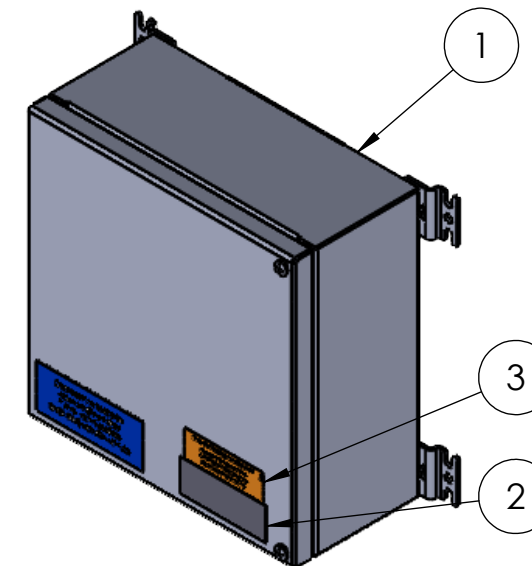
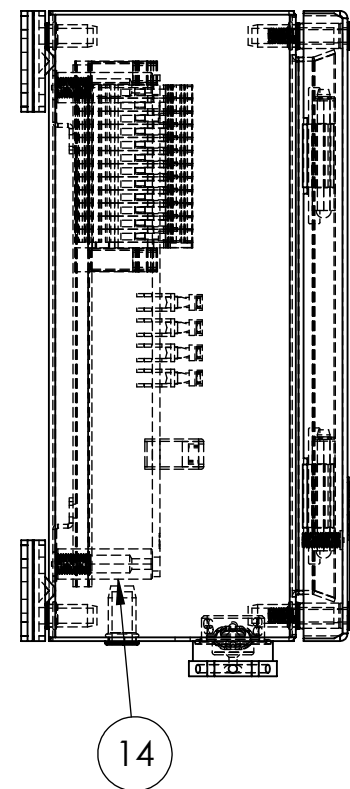
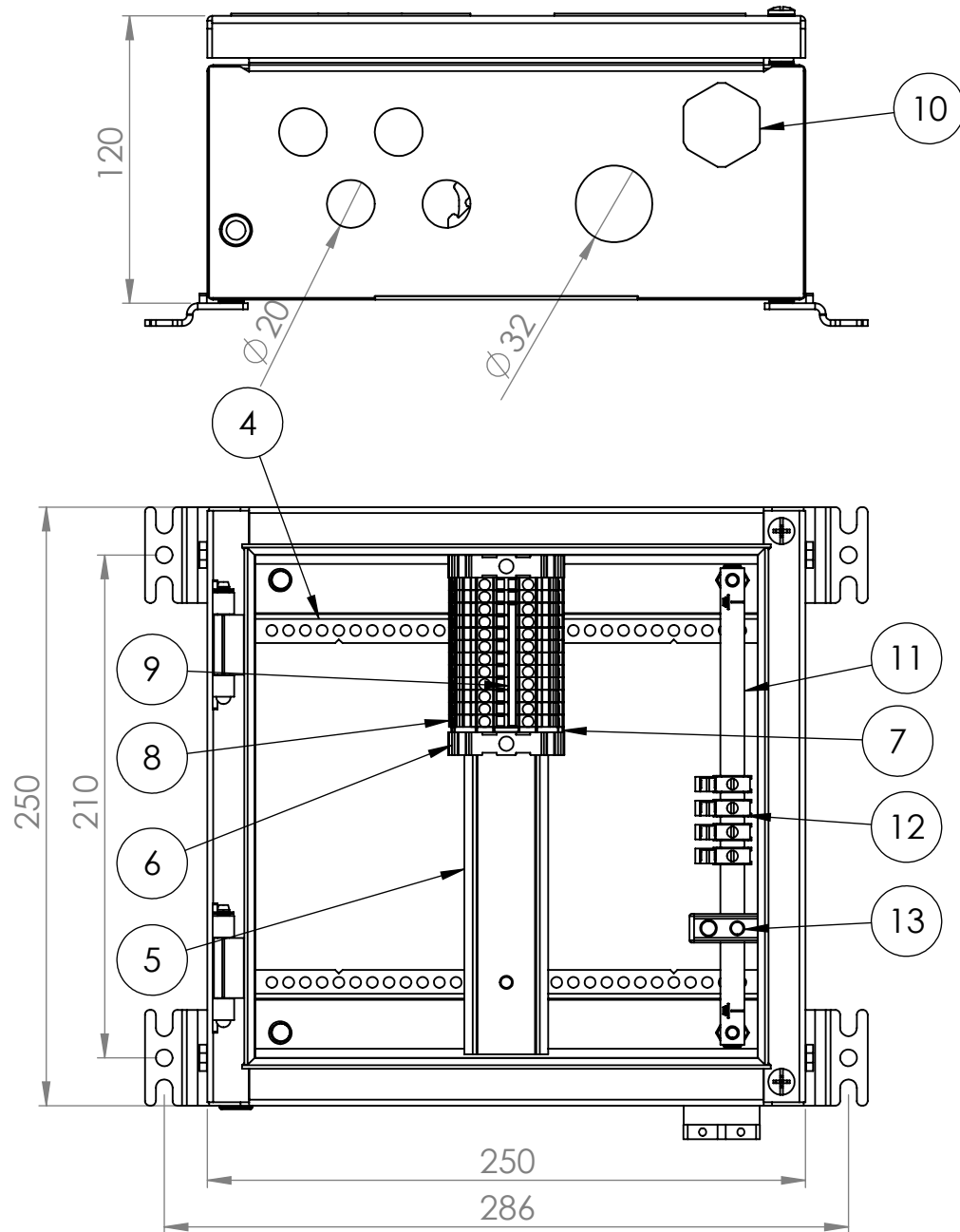


The information contained in this drawing is sole property of R. Stahl Tranberg AS.
Any reproduction in part or as whole without the written permission of R. Stahl Tranberg AS is prohibited

ITEM NO.	DESCRIPTION	PartNo	QTY.
1	8150 Enclosure		1
2	Type Label ATEX / IECEx		1
3	Warning label	50302012	1
4	Rail 8150 Z 189	7062	2
5	SS-Rail 8150 147	7068	1
6	End stopper E-NS-35-N	50281014	2
7	END PLATE D-UT 2,5/10	50281319	1
8	Terminal UT 2,5 BU	50281318	12
9	Cross-Connection FBS 10-5	50281442	1
10	Drainplug Brass Exe M25	7302101	1
11	PE-BUS BAR 10x3	50281205	1
12	Terminal AKG 4 GNYE	50281511	4
13	TERMINAL EK135	50281509	1
14	Spacer M8/M5	7087	2
15	Label "Intrinsically safe circuits"	2490	1



Electrical Data:
48V

Certification:
PTB 09ATEX1108
IECEx PTB 09.0048
II 2 G Ex ia ib IIC T6 Gb

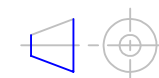
Ambient temperature:
-40°C to +55°C

Degree of protection:
IP 66



R. Stahl Tranberg AS
Strandsvingen 6, N-4032 Stavanger, Norway
Luhrtoppen 2, N-1470 Lørenskog, Norway
info@stahl-tranberg.com
www.stahl-tranberg.com

Projection



Unless otherwise specified:
Dimensions are in mm.
Tolerances according to
ISO 2768-M

8150/2-0250-0250-120-3332
4 Pair Multicore Cables, 12 Terminals
Linked for Screen, every third
Part.no.: 81502312
Intrinsically safe

Drw. no.:	Rev.
106A115230	A
Subst. for:	Format
Subst. by:	A3
Scale: 1:3	Ex
Date: 04.03.2019	
Design: MD	

REVISIONS			
REV.	DATE	DESCRIPTION	BY
A	21.02.2020	Updated temperature	ARS

The information contained in this drawing is the sole property of R. Stahl Tranberg AS. Any reproduction in part or as a whole without the written permission of R. Stahl Tranberg AS is prohibited.