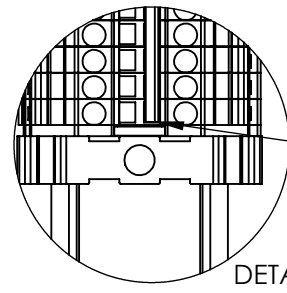
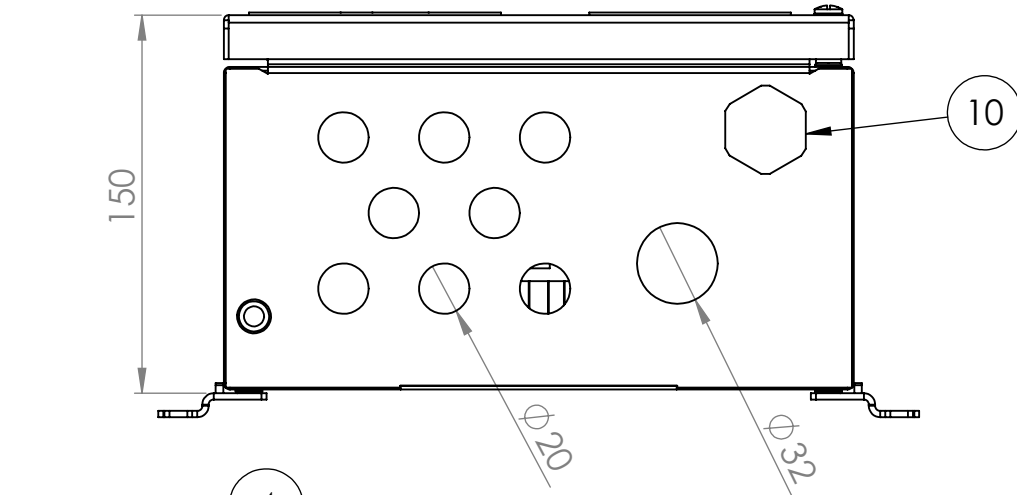


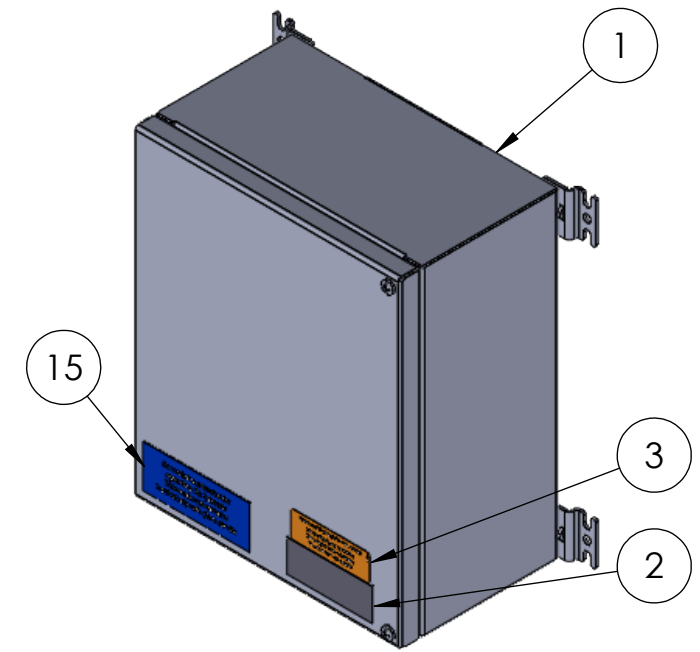
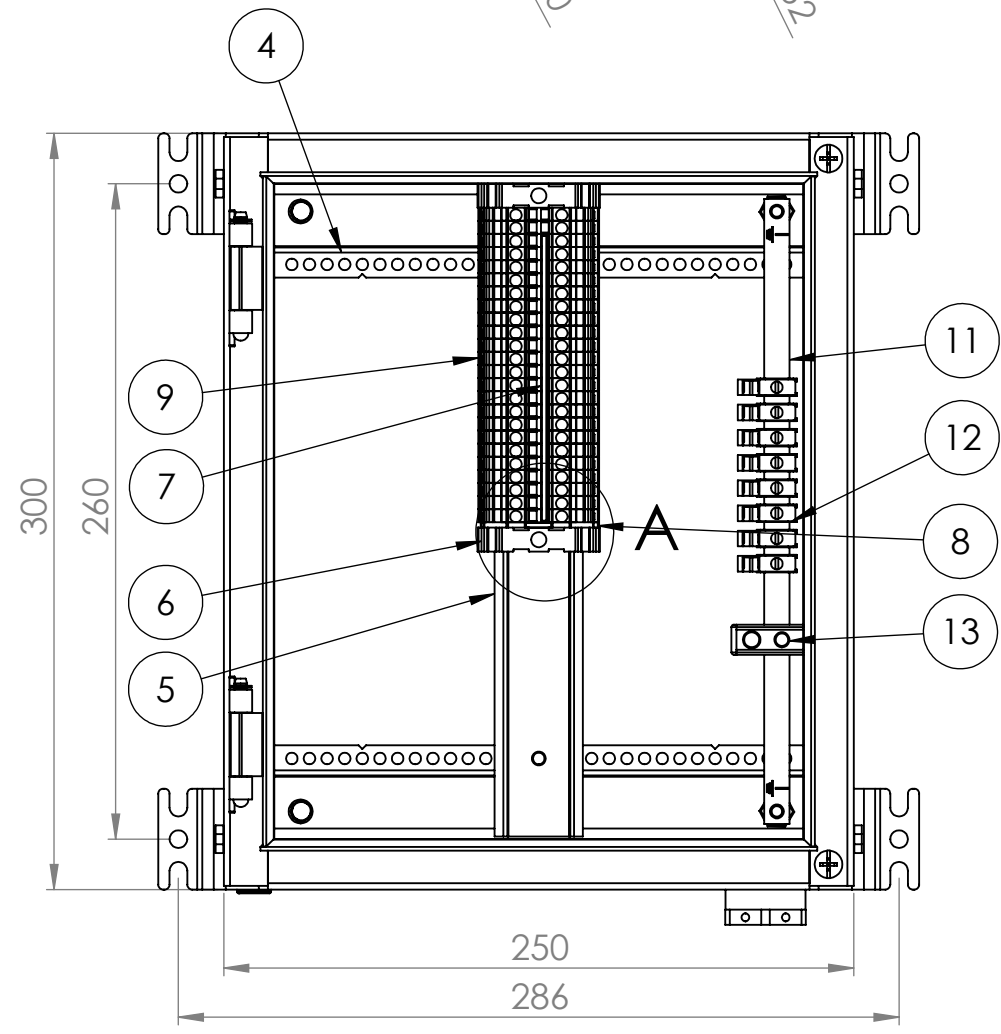
The information contained in this drawing is sole property of R. Stahl Tranberg AS.  
Any reproduction in part or as whole without the written permission of R. Stahl Tranberg AS is prohibited

ITEM NO.	DESCRIPTION	PartNo	QTY.
1	8150 Enclosure		1
2	Type Label ATEX / IECEx		1
3	Warning label	50302012	1
4	Rail 8150 Z 189	7062	2
5	SS-rail 8150 196	7069	1
6	End stopper E-NS-35-N	50281014	2
7	Cross connection FBS 50-5	50281423	1
8	END PLATE D-UT 2,5/10	50281319	1
9	Terminal UT 2,5 BU	50281318	24
10	Drainplug Brass Exe M25	7302101	1
11	PE-BUS BAR 10x3	50281205	1
12	Terminal AKG 4 GNYE	50281511	8
13	TERMINAL EK135	50281509	1
14	Spacer M8/M5	7087	2
15	Label "Intrinsically safe circuits"	2490	1



DETAIL A  
SCALE 2 : 3

NOTE:  
The bare end of the bridge shall be adjacent to a D-UT end-plate!



Electrical Data:  
48V

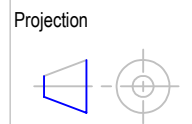
Certification:  
PTB 09ATEX1108  
IECEx PTB 09.0048  
II 2 G Ex ia ib IIC T6 Gb

Ambient temperature:  
-40°C to +55°C

Degree of protection:  
IP 66



R. Stahl Tranberg AS  
Strandsvingen 6, N-4032 Stavanger, Norway  
Luhrtoppen 2, N-1470 Lørenskog, Norway  
info@stahl-tranberg.com  
www.stahl-tranberg.com



Unless otherwise specified:  
Dimensions are in mm.  
Tolerances according to  
ISO 2768-M

8150/2-0250-0300-150-3332  
8 Pair Multicore Cables, 24 Terminals  
Linked for Screen, every third  
Part.no.: 81502314  
Intrinsically safe

Drw. no.:	106A115232	Rev.	A
Subst. for:		Format	A3
Subst. by:			
Scale:	1:3		
Date:	04.03.2019		
Design:	MD		

Ex

REVISIONS			
REV.	DESCRIPTION	DATE	BY
A	Updated temperature	21.02.2020	ARS

The information contained in this drawing is the sole property of R. Stahl Tranberg AS. Any reproduction in part or as a whole without the written permission of R. Stahl Tranberg AS is prohibited.