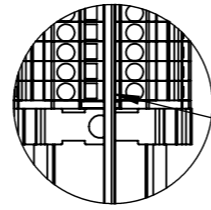
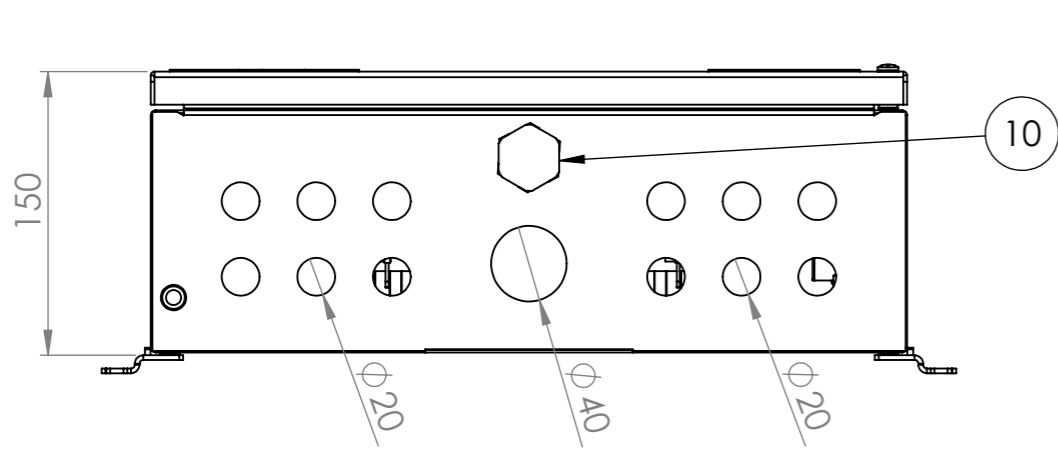


The information contained in this drawing is sole property of R. Stahl Tranberg AS.
Any reproduction in part or as whole without the written permission of R. Stahl Tranberg AS is prohibited



DETAIL A
SCALE 1 : 2

NOTE:
The bare end of the bridge shall be adjacent to a D-UT end-plate!

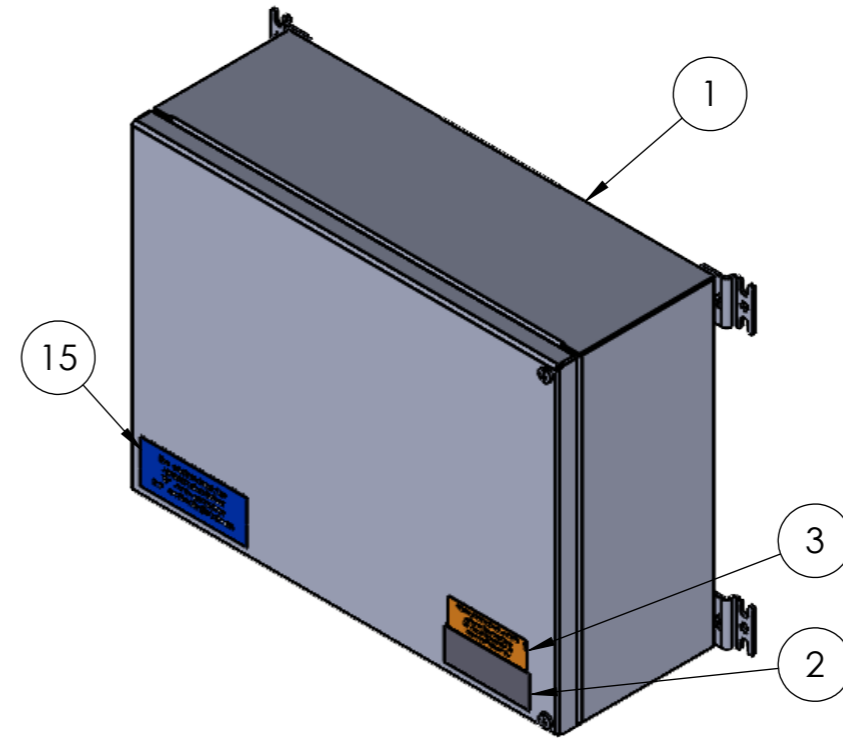
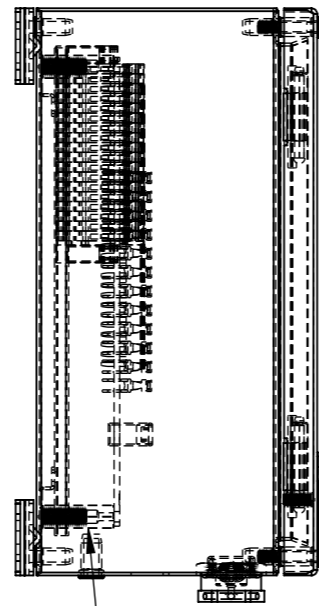
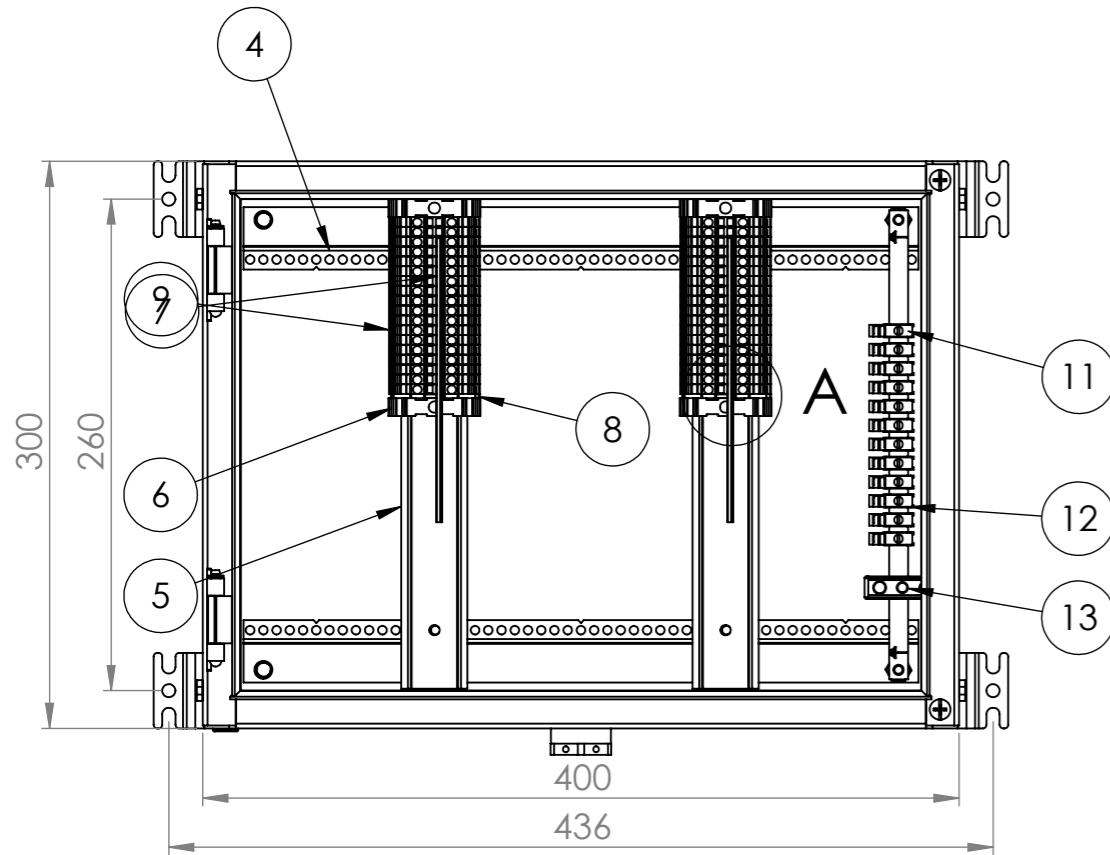
ITEM NO.	DESCRIPTION	PartNo	QTY.
1	8150 Enclosure		1
2	Type Label ATEX / IECEx		1
3	Warning label	50302012	1
4	Rail 8150 Z 336	7065	2
5	SS-rail 8150 196	7069	2
6	End stopper E-NS-35-N	50281014	4
7	Cross connection FBS 50-5	50281423	2
8	END PLATE D-UT 2,5/10	50281319	2
9	Terminal UT 2,5 BU	50281318	36
10	Drainplug Brass Exe M25	7302101	1
11	PE-BUS BAR 10x3	50281205	1
12	Terminal AKG 4 GNYE	50281511	12
13	TERMINAL EK135	50281509	1
14	Spacer M8/M5	7087	2
15	Label "Intrinsically safe circuits" 100x40mm	2490	1

Electrical Data:
48V

Certification:
PTB 09ATEX1108
IECEx PTB 09.0048
II 2 G Ex ia ib IIC T6 Gb

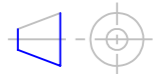
Ambient temperature:
-40°C to +55°C

Degree of protection:
IP 66



R. Stahl Tranberg AS
Strandsvingen 6, N-4032 Stavanger, Norway
Luhrtoppen 2, N-1470 Lørenskog, Norway
info@stahl-tranberg.com
www.stahl-tranberg.com

Projection



Unless otherwise specified:
Dimensions are in mm.
Tolerances according to
ISO 2768-M

8150/2-0400-0300-150-3332
12 Pair Multicore Cables, 36 Terminals
Linked for Screen, every third
Part.no.: 81502316
Intrinsically safe

Drw. no.:
106A115234

Rev.
A

Subst. for:
Subst. by:

Format
A3

Scale: **1:4**

Date: **04.03.2019**
Design: **MD**

Ex

REVISIONS			
REV.	DESCRIPTION	DATE	BY
A	Updated temperature	21.02.2020	ARS

The information contained in this drawing is the sole property of R. Stahl Tranberg AS. Any reproduction in part or as a whole without the written permission of R. Stahl Tranberg AS is prohibited.