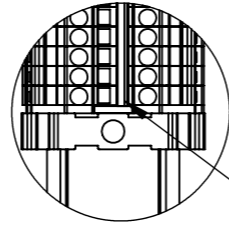
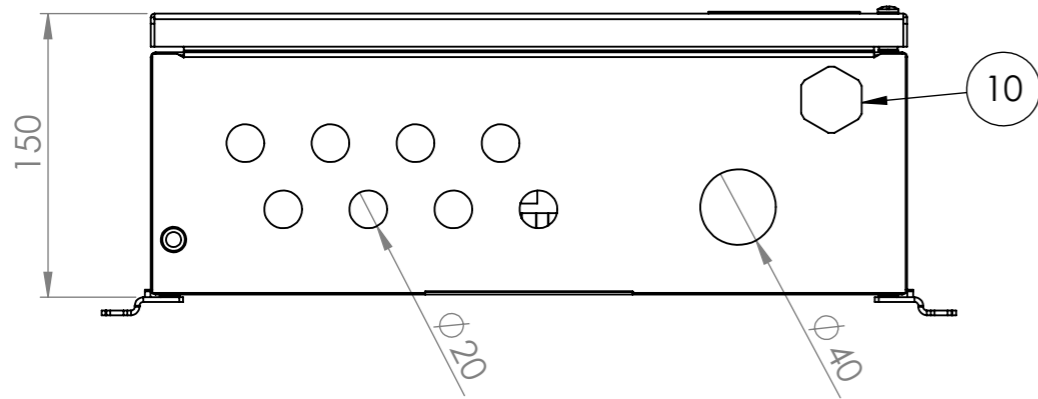
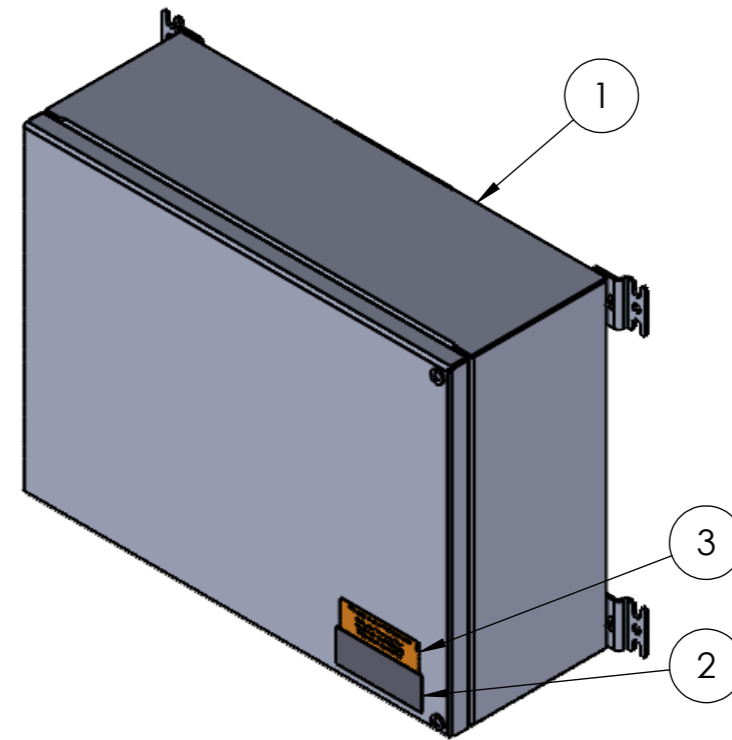
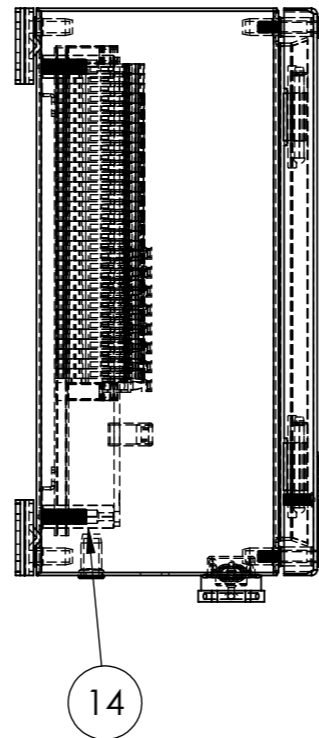
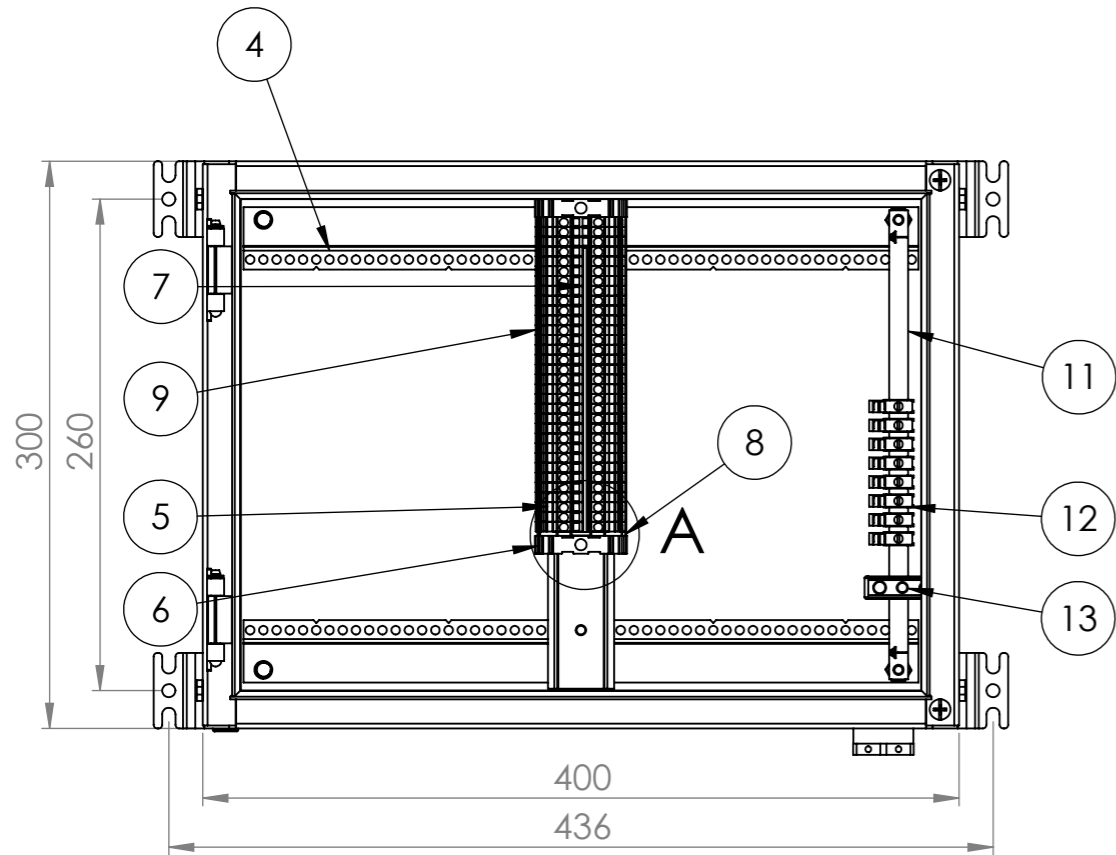


The information contained in this drawing is sole property of R. Stahl Tranberg AS.  
Any reproduction in part or as whole without the written permission of R. Stahl Tranberg AS is prohibited



DETAIL A  
SCALE 1 : 2

NOTE:  
The bare end of the bridge shall be adjacent to a D-UT end-plate!



Electrical Data:  
230V  
6A

Certification:  
PTB 09ATEX1108  
IECEX PTB 09.0048  
II 2 G Ex eb IIC T5 Gb

Ambient temperature:  
-40°C to +55°C

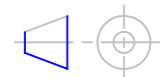
Degree of protection:  
IP 66

ITEM NO.	DESCRIPTION	PartNo	QTY.
1	8150 Enclosure		1
2	Type Label ATEX / IECEx		1
3	Warning label	50302012	1
4	Rail 8150 Z 336	7065	2
5	SS-rail 8150 196	7069	1
6	End stopper E-NS-35-N	50281014	2
7	Cross connection FBS 50-5	50281423	1
8	END PLATE D-UT 2,5/10	50281319	1
9	TERMINAL UT 2,5	50281424	32
10	Drainplug Brass Exe M25	7302101	1
11	PE-BUS BAR 10x3	50281205	1
12	Terminal AKG 4 GNYE	50281511	8
13	TERMINAL EK135	50281509	1
14	Spacer M8/M5	7087	2



R. Stahl Tranberg AS  
Strandsvingen 6, N-4032 Stavanger, Norway  
Luhrtoppen 2, N-1470 Lørenskog, Norway  
info@stahl-tranberg.com  
www.stahl-tranberg.com

Projection



Unless otherwise specified:  
Dimensions are in mm.  
Tolerances according to  
ISO 2768-M

8150/1-0400-0300-150-3332  
8 Triple Cables, 36 Terminals  
Linked for Screen, every 4th  
Part.no.: 81502323

Drw. no.:  
**106A115241**

Rev.  
**B**

Subst. for:  
Subst. by:

Format  
**A3**

Scale: **1:4**

Date: **04.03.2019**

Design: **MD**

**Ex**

REVISIONS			
REV.	DESCRIPTION	DATE	BY
A	Updated temperature	21.02.2020	ARS
B	Updated voltage	17.08.2020	ARS

The information contained in this drawing is the sole property of R. Stahl Tranberg AS. Any reproduction in part or as a whole without the written permission of R. Stahl Tranberg AS is prohibited.