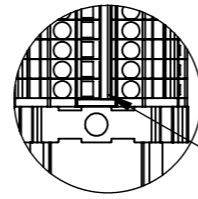
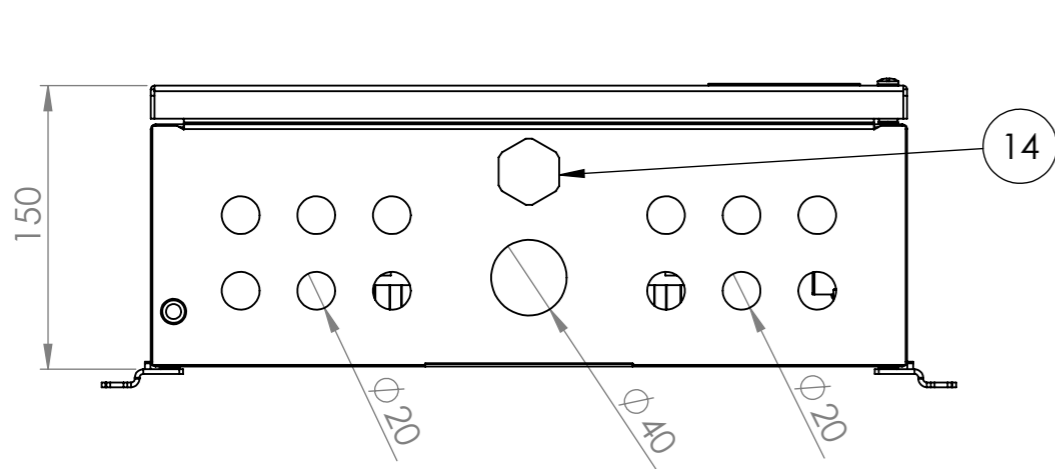


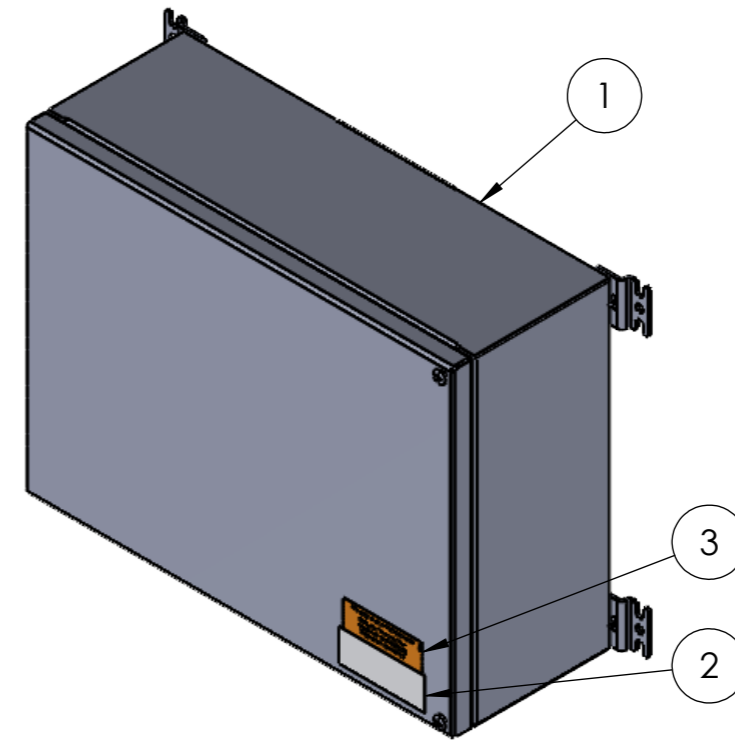
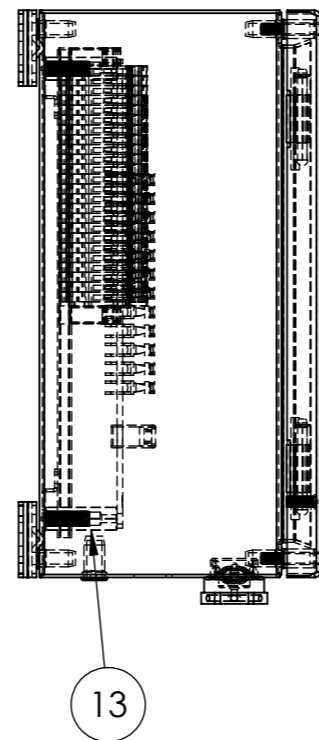
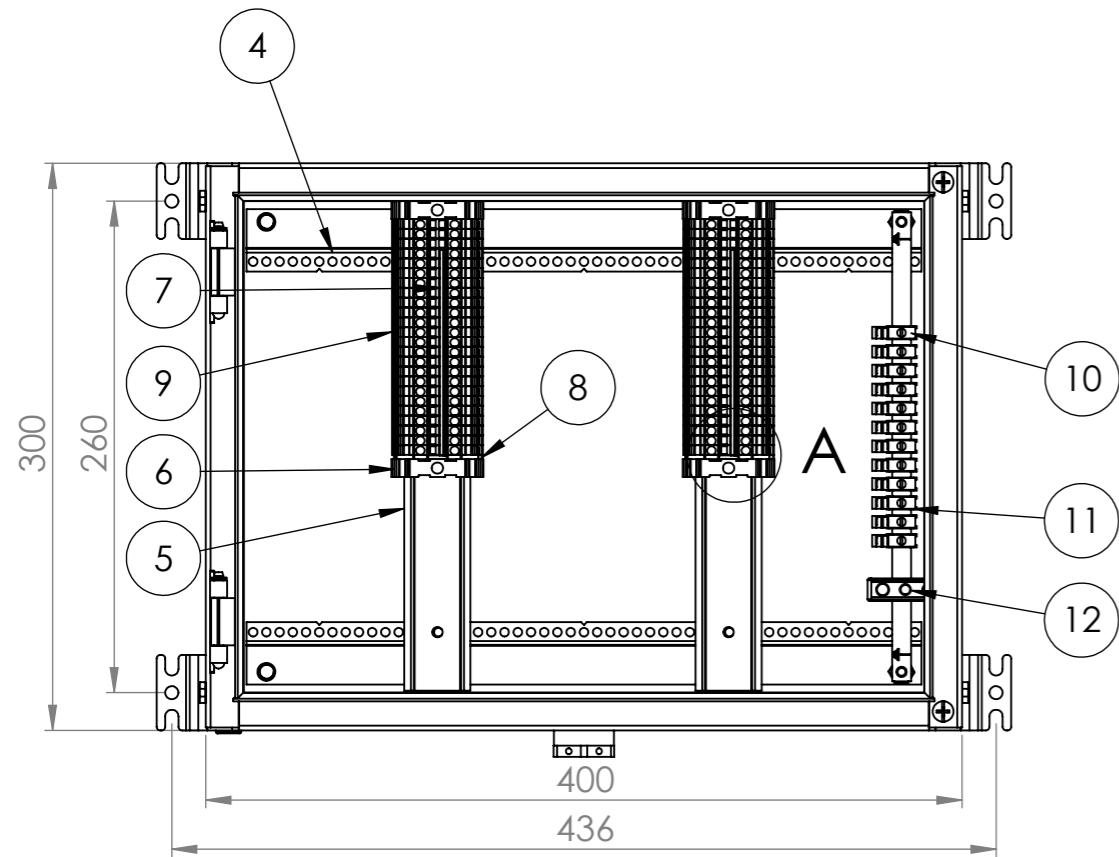
The information contained in this drawing is sole property of R. Stahl Tranberg AS.
Any reproduction in part or as whole without the written permission of R. Stahl Tranberg AS is prohibited



DETAIL A
SCALE 1 : 2

NOTE:
The bare end of the bridge shall be adjacent to a D-UT end-plate!

| ITEM NO. | DESCRIPTION | PartNo | QTY. |
|----------|---------------------------------|----------|------|
| 1 | 8150 Enclosure | | 1 |
| 2 | Type Label ATEX / IECEx | | 1 |
| 3 | Warning label | 50302012 | 1 |
| 4 | Rail 8150 Z 336 | 7065 | 2 |
| 5 | SS-rail 8150 196 | 7069 | 2 |
| 6 | End stopper E-NS-35-N | 50281014 | 4 |
| 7 | Cross connection FBS 50-5 | 50281423 | 2 |
| 8 | END PLATE D-UT 2,5/10 | 50281319 | 2 |
| 9 | TERMINAL UT 2,5 | 50281424 | 48 |
| 10 | PE-BUS BAR 10x3 | 50281205 | 1 |
| 11 | Terminal AKG 4 GNYE | 50281511 | 12 |
| 12 | TERMINAL EK135 | 50281509 | 1 |
| 13 | Spacer M8/M5 | 7087 | 2 |
| 14 | TEF 731 Exe DRAINPLUG M25 - 9mm | 7312101 | 1 |



Electrical Data:
230V
6A

Certification:
PTB 09ATEX1108
IECEx PTB 09.0048
II 2 G Ex eb IIC T5 Gb

Ambient temperature:
-40°C to +55°C

Degree of protection:
IP 66



R. Stahl Tranberg AS
Strandsvingen 6, N-4032 Stavanger, Norway
Luhrtoppen 2, N-1470 Lørenskog, Norway
info@stahl-tranberg.com
www.stahl-tranberg.com

Projection



Unless otherwise specified:
Dimensions are in mm.
Tolerances according to
ISO 2768-M

8150/1-0400-0300-150-3332
12 Triple Cables, 48 Terminals
Linked for Screen, 4th
Part.no.: 81502325

| | |
|-------------------------|-----------|
| Drw. no.: | Rev. |
| 106A115243 | C |
| Subst. for: | Format |
| Subst. by: | A3 |
| Scale: 1:4 | Ex |
| Date: 04.03.2019 | |
| Design: MD | |

| REVISIONS | | | |
|-----------|---------------------------|------------|-----|
| REV. | DESCRIPTION | DATE | BY |
| A | Updated temperature | 21.02.2020 | ARS |
| B | Updated volage | 17.08.2020 | ARS |
| C | Updated to new drain plug | 14.06.2022 | EAA |

The information contained in this drawing is the sole property of R. Stahl Tranberg AS. Any reproduction in part or as a whole without the written permission of R. Stahl Tranberg AS is prohibited.