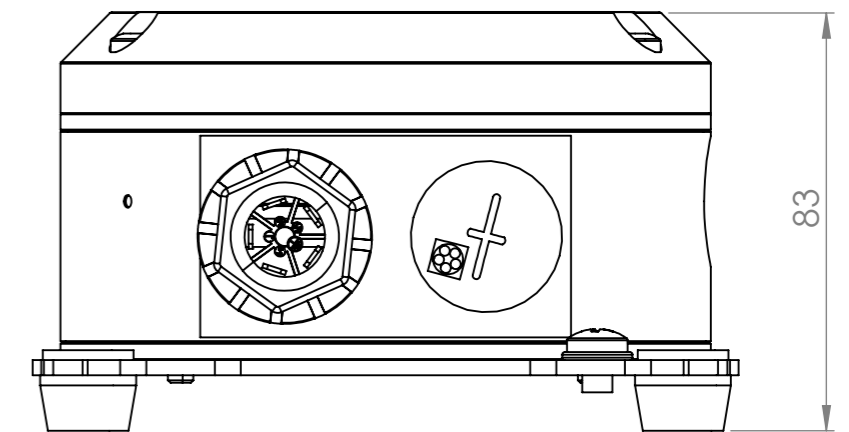
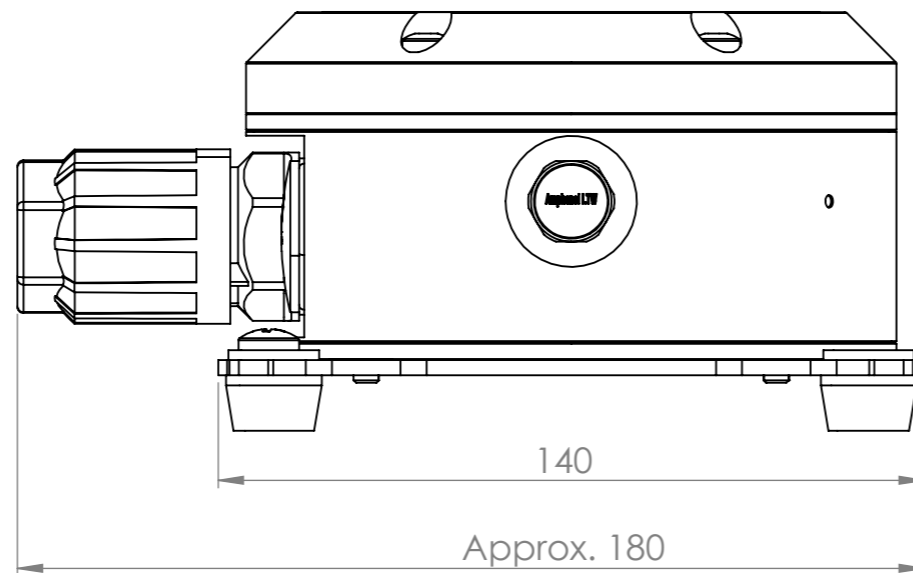
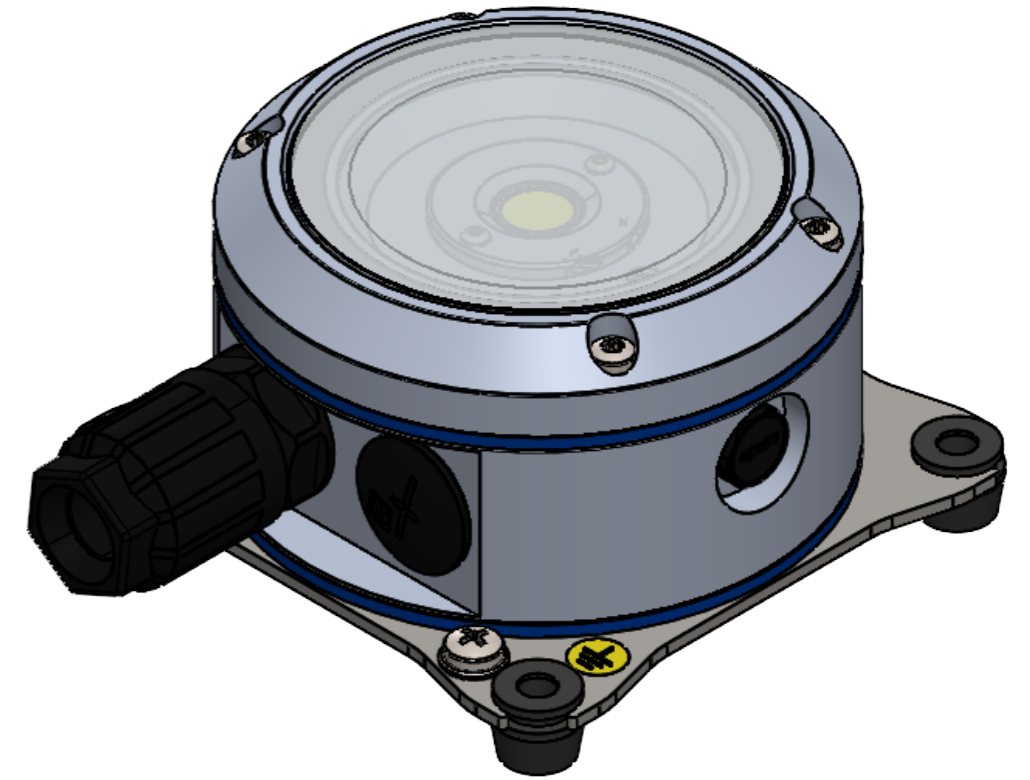
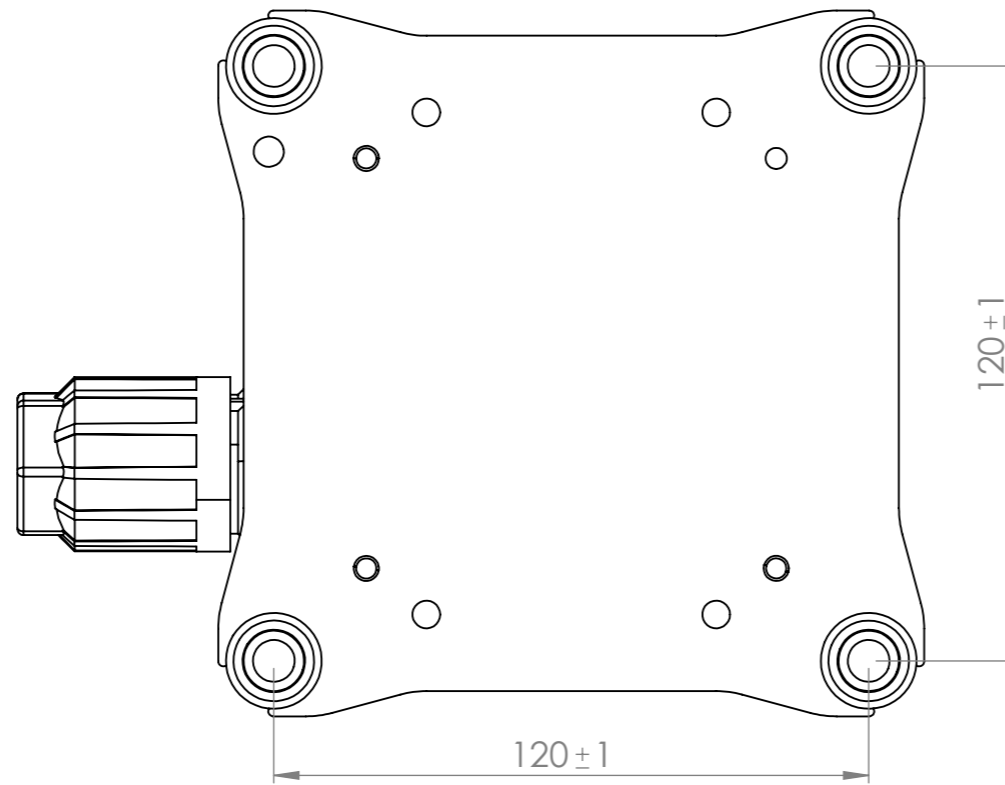
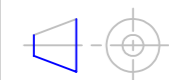


Mounted by 4 pcs M8 bolts



R. STAHL TRANBERG AS
 www.stahl-tranberg.com
 Strandsvingen 6, N-4032 Stavanger, Norway
 info.no-st@r-stahl.com
 Luhrtoppen 2, N-1470 Lørenskog, Norway
 info.no-os@r-stahl.com

Projection



Unless otherwise specified:
 Dimensions are in mm.
 Tolerances according to
 ISO 2768-M

TEF 2785 Decklight

Dimension Drawing

Drw. no.:

257A119538

Rev.

Subst. for:

Subst. by:

Format
A3

Scale: **1:1.5**

Date: **14.06.2022**

Design: **CKR**

The information contained in this drawing is the sole property of R. Stahl Tranberg AS. Any reproduction in part or as a whole without the written permission of R. Stahl Tranberg AS is prohibited.