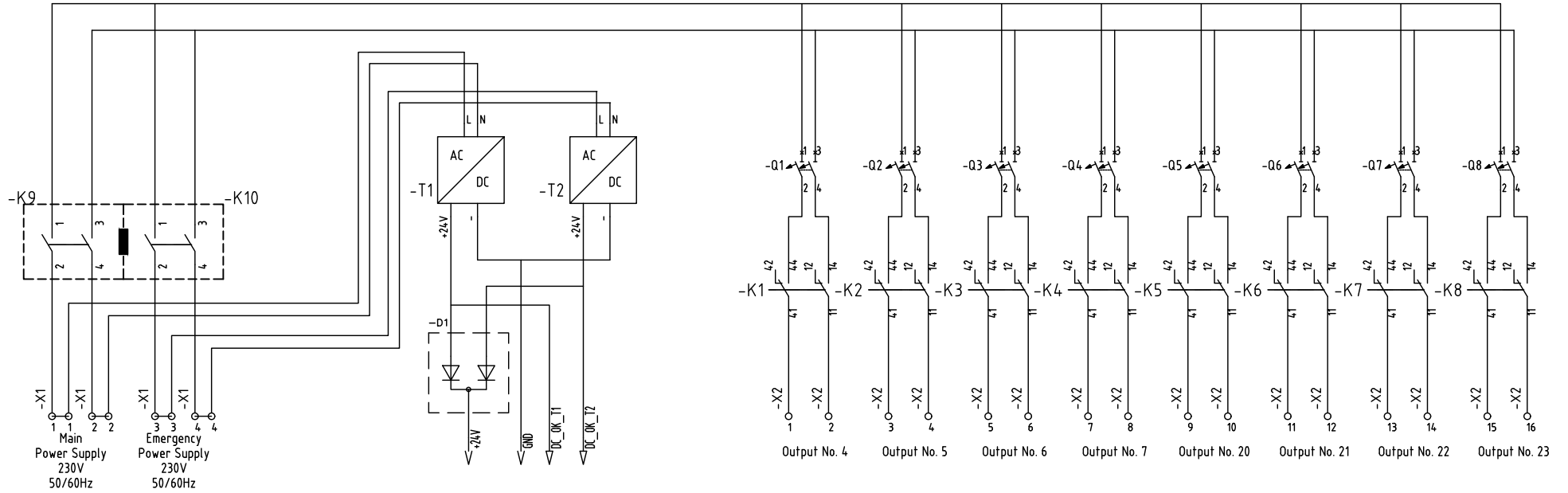


A

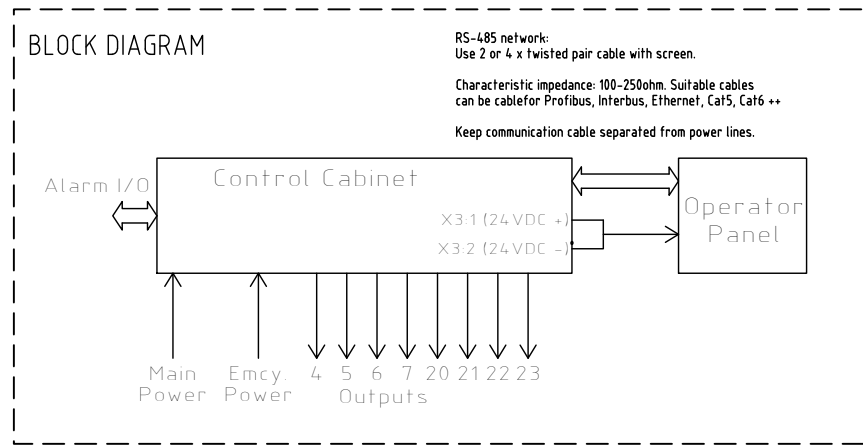
B

C

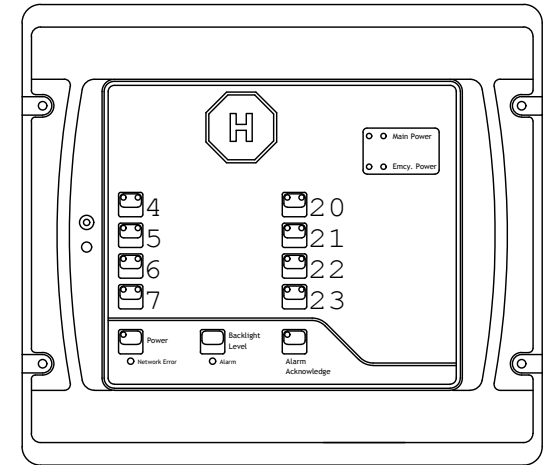
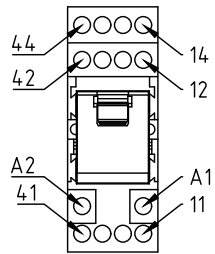


Button No. / Output No.

D



E



F

GA drawing: 460A108466

| Revision | Description | Date | Sign. |
|----------|-------------|------|-------|
| | | | |
| | | | |
| | | | |



R. Stahl Tranberg AS
Strandsvingen 6
N-4032 Stavanger, Norway
info@stahl-tranberg.com

TEF4500 Commander Utility
Helideck Light Control System Dual Power
4500303 - Standard Configuration

460A113999

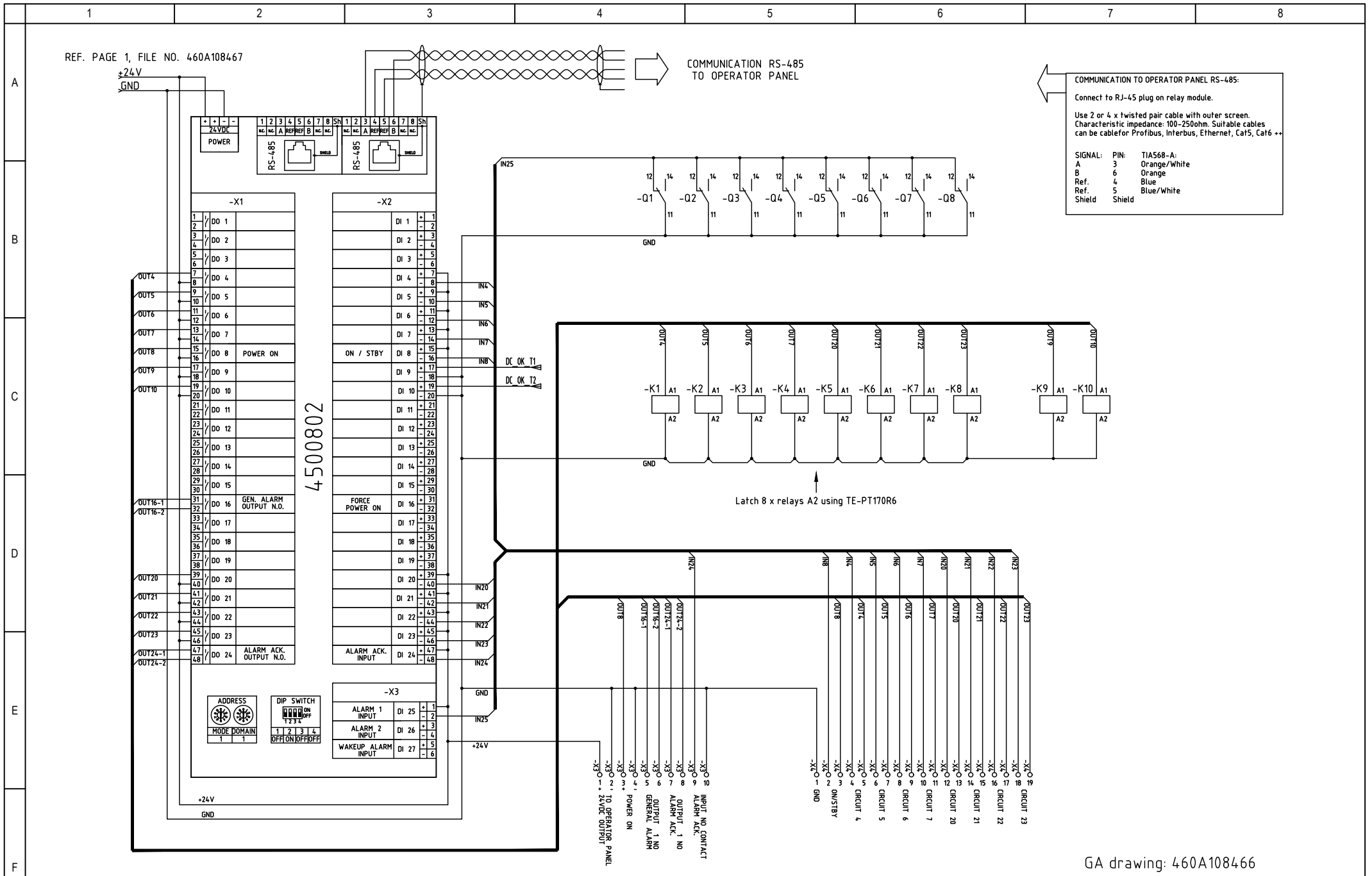
Date: 25.04.2018

Sign: TRY

The information contained in this drawing is the sole property of R. Stahl Tranberg AS. Any reproduction in part or as a whole without the written permission of R. Stahl Tranberg AS is prohibited.

Sheet No. 1

Total 3



GA drawing: 460A108466

| | | | |
|----------|-------------|------|-------|
| Revision | Description | Date | Sign. |
| | | | |
| | | | |



R. Stahl Tranberg AS
Strandsvingen 6
N-4032 Stavanger, Norway
info@stahl-tranberg.com

TEF4500 Commander Utility
Helideck Light Control System Dual Power
4500303 - Standard Configuration

460A113999

Date: 25.04.2018

Sign: TRY

The information contained in this drawing is the sole property of R. Stahl Tranberg AS. Any reproduction in part or as a whole without the written permission of R. Stahl Tranberg AS is prohibited.

Sheet No. 2

Total 3

A

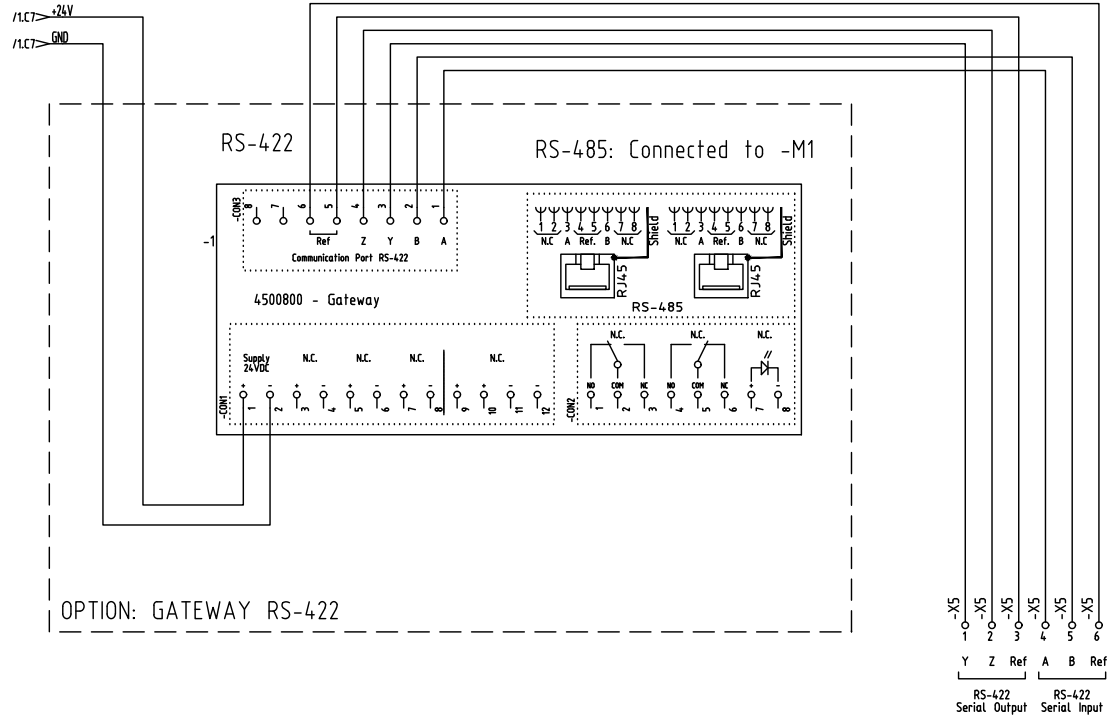
B

C

D

E

F



GA drawing: 460A108466

| | | | |
|----------|-------------|------|-------|
| Revision | Description | Date | Sign. |
| | | | |
| | | | |
| | | | |



R. Stahl Tranberg AS
 Strandsvingen 6
 N-4032 Stavanger, Norway
 info@stahl-tranberg.com

TEF4500 Commander Utility
 Helideck Light Control System Dual Power
 4500303 - Standard Configuration

460A113999

Date: 25.04.2018

Sign: TRY

The information contained in this drawing is the sole property of R. Stahl Tranberg AS. Any reproduction in part or as a whole without the written permission of R. Stahl Tranberg AS is prohibited.

Sheet No. 3

Total 3