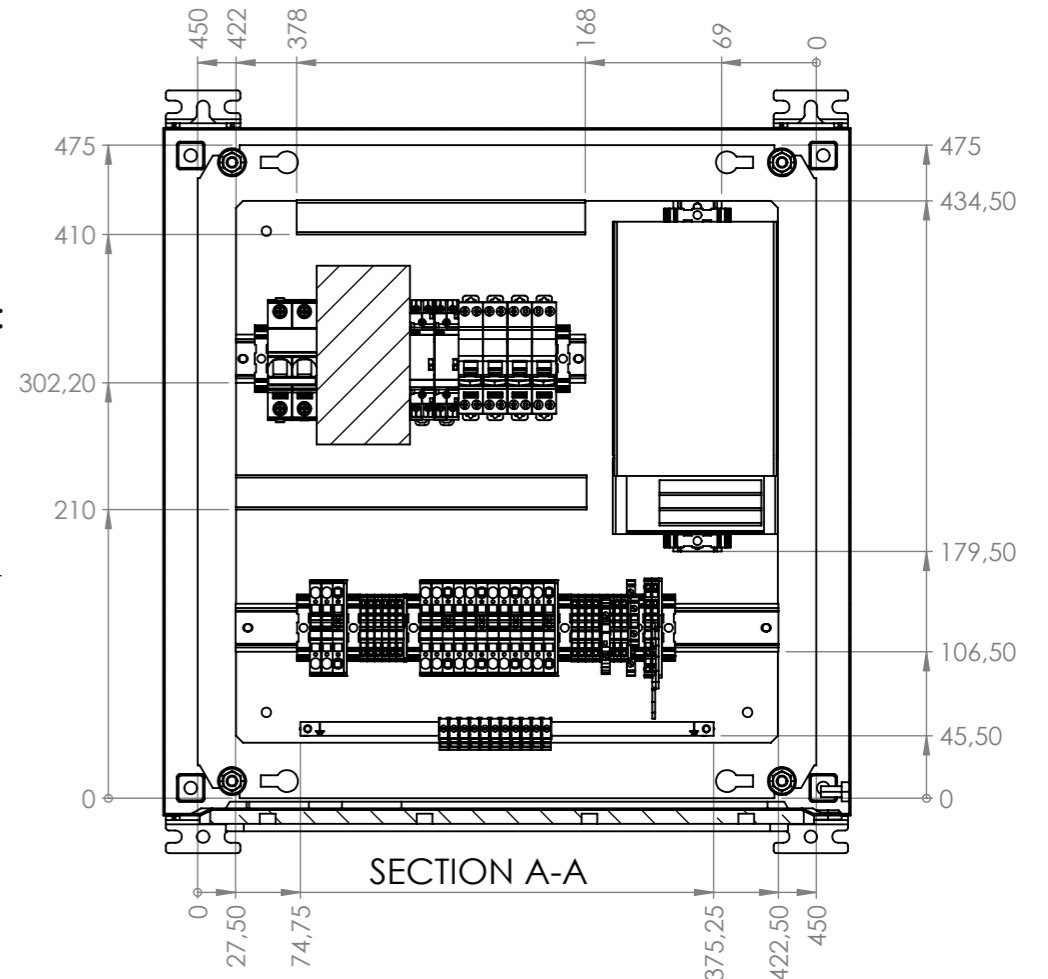
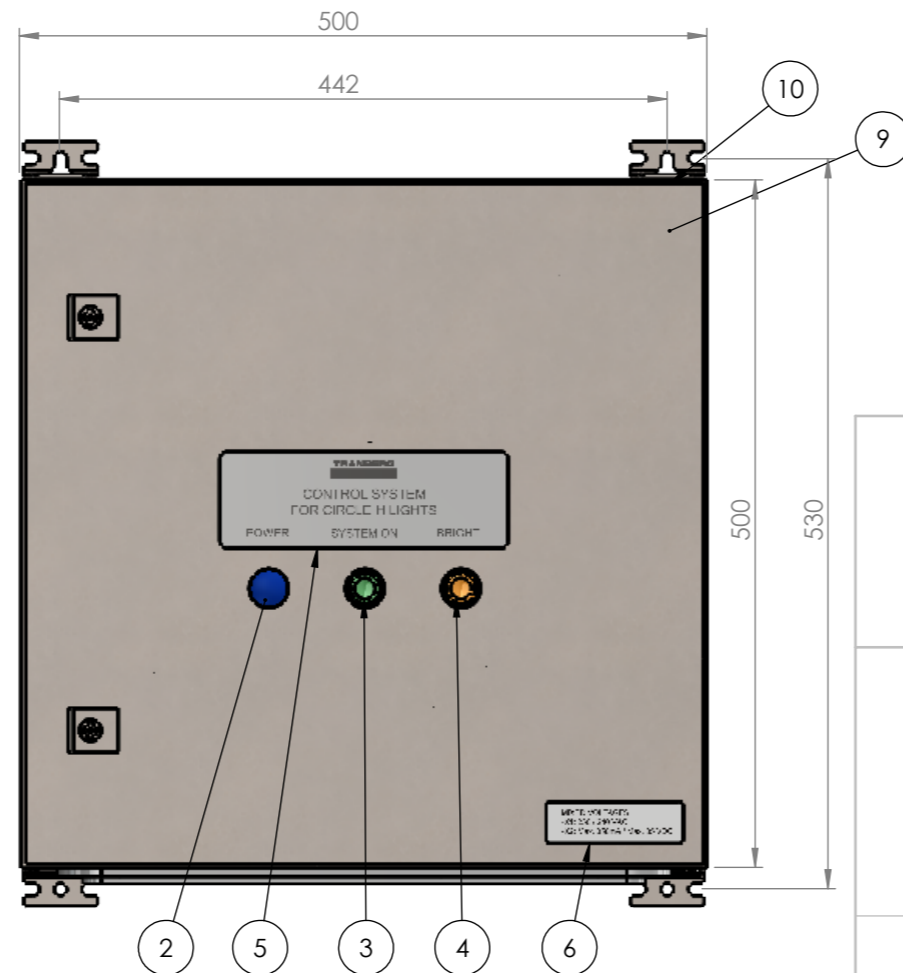
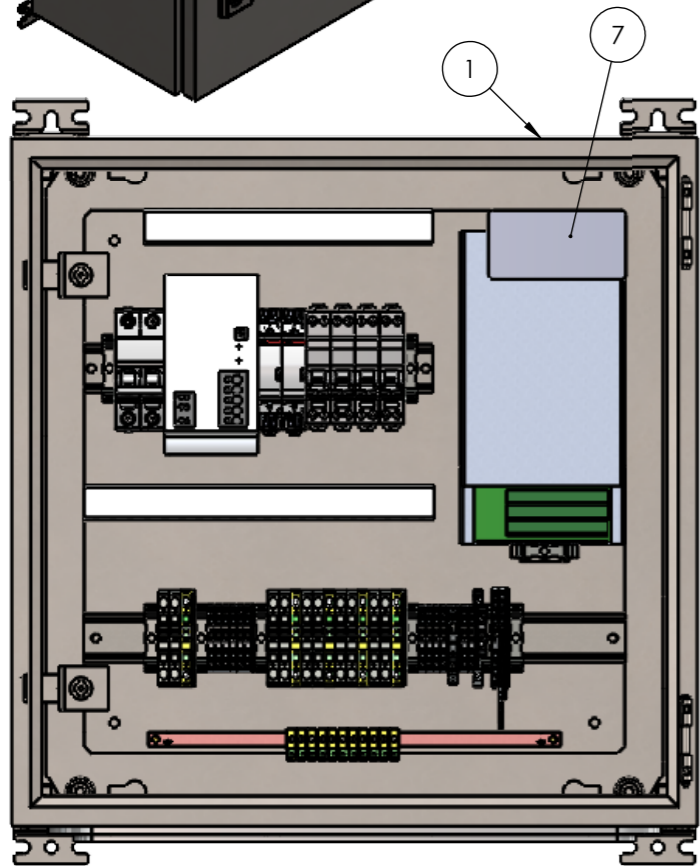
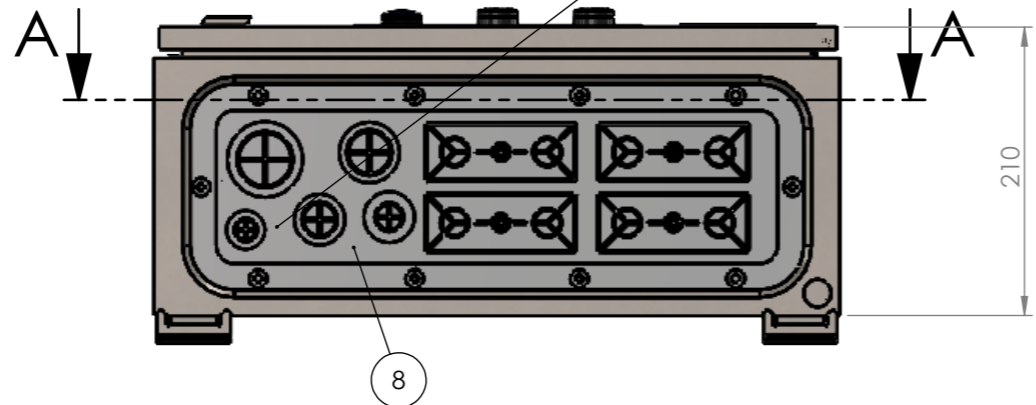
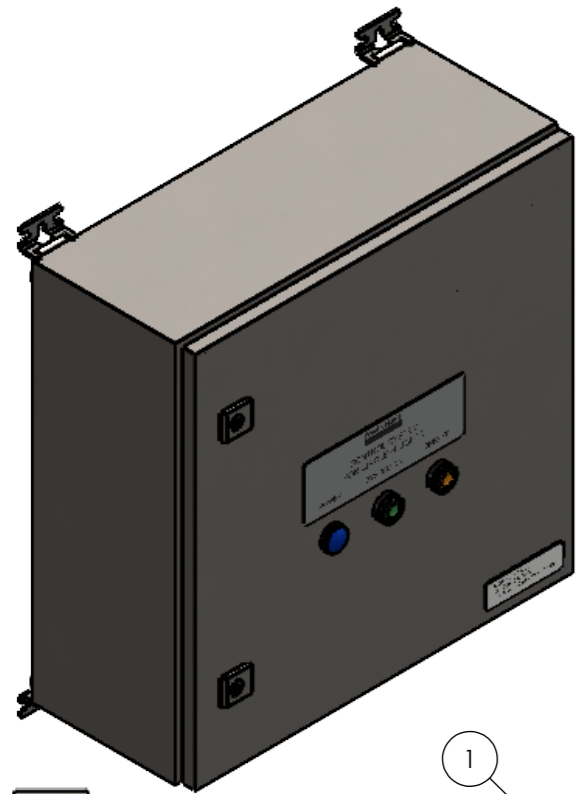


ITEM NO.	DESCRIPTION	PartNo	Manufacturer	QTY.
1	Rittal Compact Enclosure AX 1050.000	54701037	Rittal	1
2	Indicator light 24V Blue LED XB4BV6	50810084	Schneider	1
3	Illuminated Push button green XB4BW33B5	50810085	Schneider	1
4	Illuminated Push button orange XB4BW35B5	50810086	Schneider	1
5	Hovedskilt (inkludert i label kit)	6328	R. Stahl Tranberg	1
6	Skilt Mixed voltages (inkludert i label kit)	6328	R. Stahl Tranberg	1
7	Skilt inside dør (inkludert i label kit)	6328	R. Stahl Tranberg	1
8	Metal Gland Plate STR. 3 RITTAL AX 2573.100	54701047	RITTAL	1
9	Rittal Door stay for AX SZ 2519.010	54701041	Rittal	1

Gland plate with metric knockouts:
 4xM12
 3xM16
 5xM20
 3xM25
 1xM32
 1xM40
 (Cable glands not included)



For BOM list on terminals see drawing 401A117136

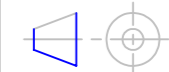


REVISIONS			
REV.	DESCRIPTION	DATE	SIGN
A	Removed extra mounting plate	08.10.2020	CKR



R. Stahl Tranberg AS
 Strandsvingen 6, N-4032 Stavanger, Norway
 Luhrtoppen 2, N-1470 Lørenskog, Norway
 info@stahl-tranberg.com
 www.stahl-tranberg.com

Projection



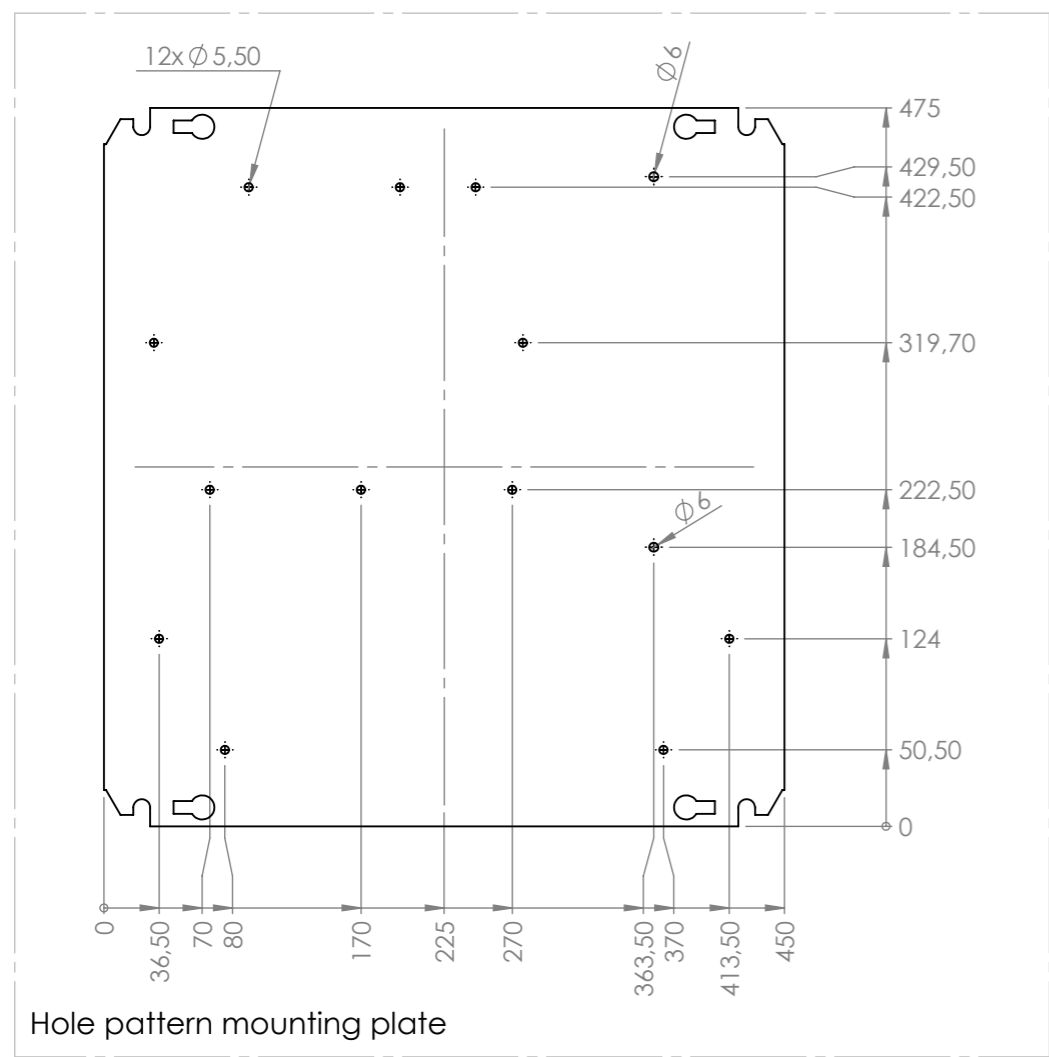
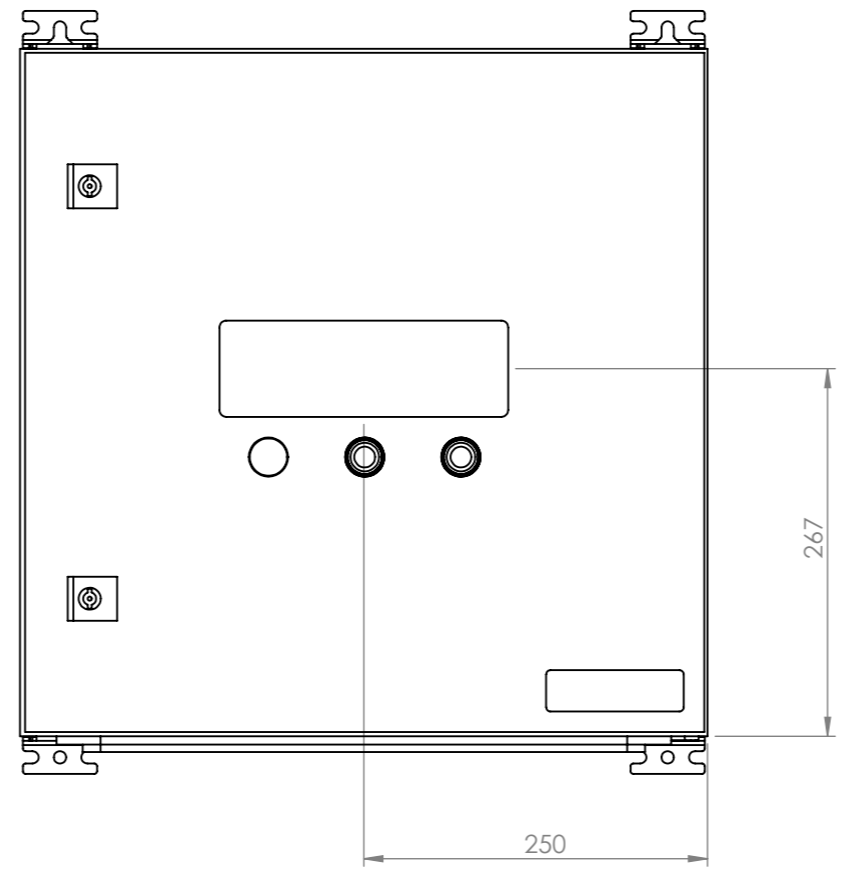
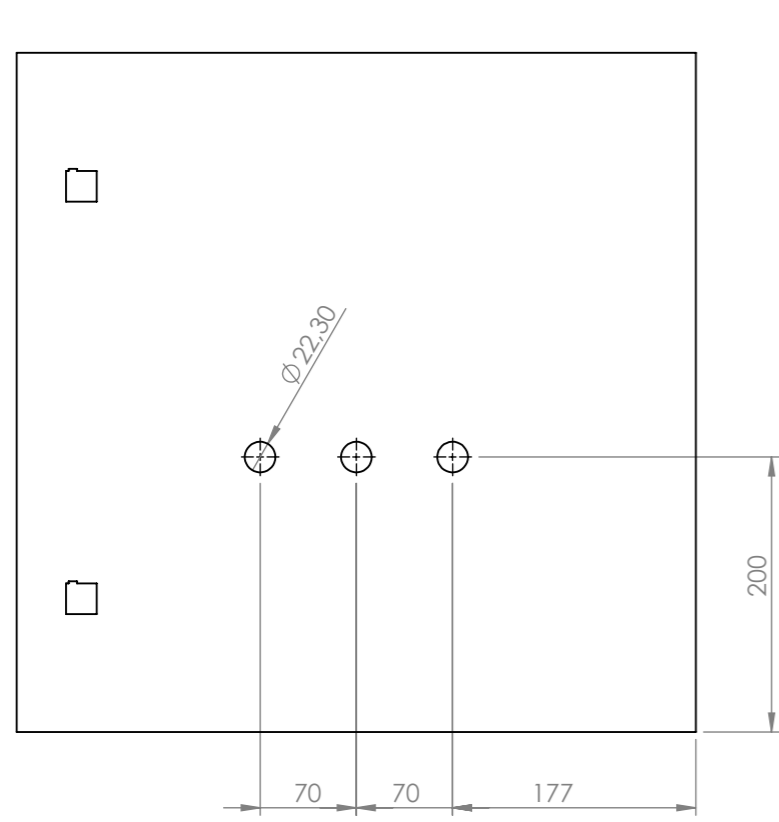
Unless otherwise specified:
 Dimensions are in mm.
 Tolerances according to
 ISO 2768-M

TEF 9952900 Tranberg IMT Control Cabinet
 Non-Ex Indoor

GA Drawing

Drw. no.:	Rev.
460A117173	A
Subst. for:	Format
Subst. by:	A3
Scale:	1:5.5
Date:	14.06.2020
Design:	RMV

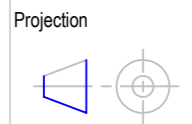
The information contained in this drawing is the sole property of R. Stahl Tranberg AS. Any reproduction in part or as a whole without the written permission of R. Stahl Tranberg AS is prohibited.



Hole pattern mounting plate



R. Stahl Tranberg AS
 Strandsvingen 6, N-4032 Stavanger, Norway
 Luhrtoppen 2, N-1470 Lørenskog, Norway
 info.no-st@r-stahl.com
 www.stahl-tranberg.com



Unless otherwise specified:
 Dimensions are in mm.
 Tolerances according to
 ISO 2768-M

TEF 9952900 Tranberg IMT Control Cabinet
 Non-Ex Indoor

GA Drawing

The information contained in this drawing is the sole property of R. Stahl Tranberg AS. Any reproduction in part or as a whole without the written permission of R. Stahl Tranberg AS is prohibited.

Drw. no.:	460A117173	Rev.	A
Subst. for:		Format	A3
Sheet name:	Sheet2		
Scale:	1:5.5		
Date:	14.06.2020		
Design:	RMY		