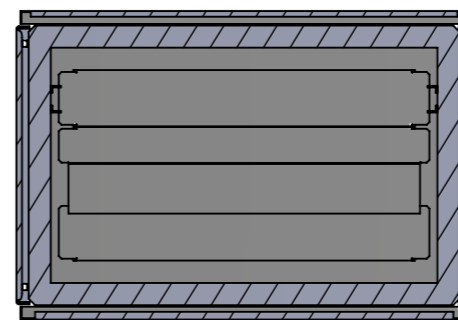
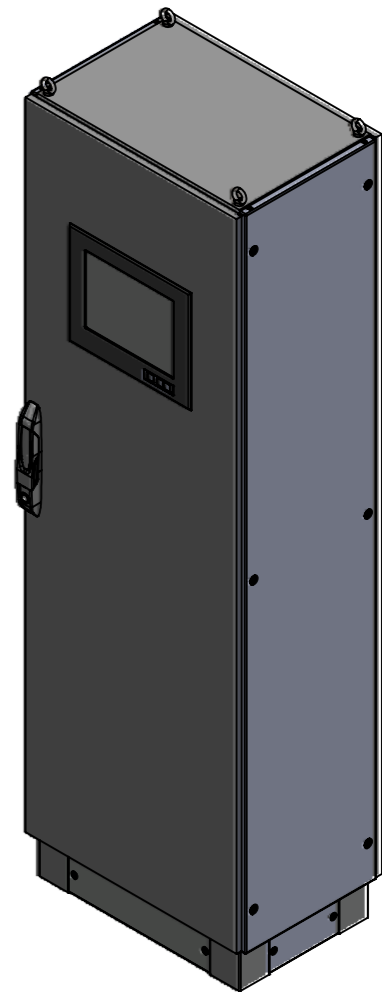


SECTION A-A

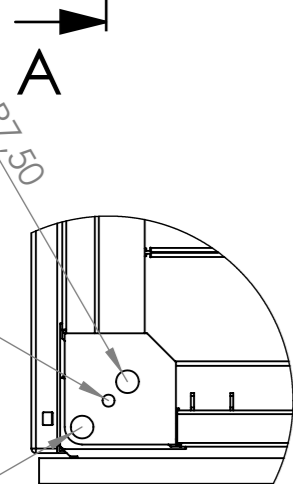
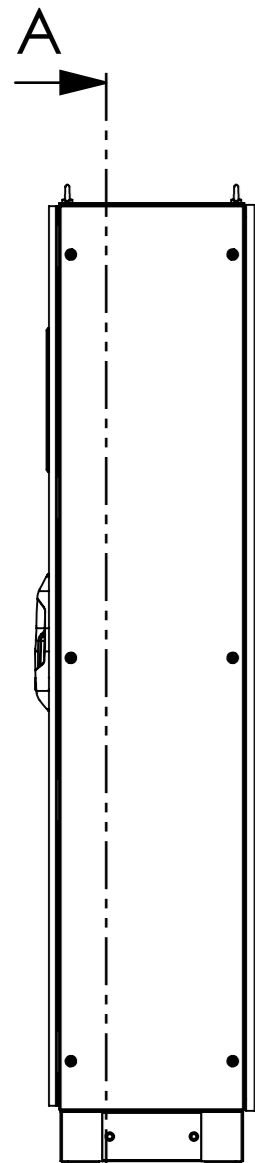
Cable entry point



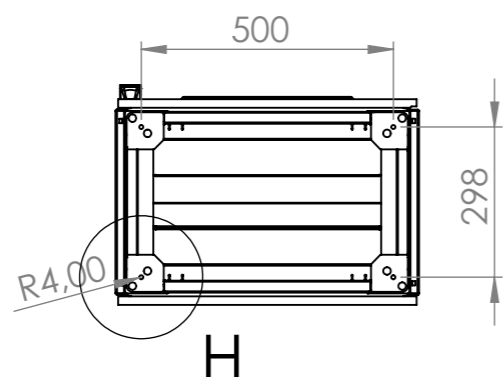
SECTION J-J
SCALE 1 : 10



REVISIONS			
REV.	DESCRIPTION	DATE	SIGN
A	Updates on mounting plate ref drawing 401A117308	09.10.2020	CKR
B	Changes according to As built	16.11.2020	CKR



DETAIL H
SCALE 1 : 5

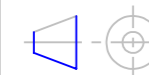


H



R. Stahl Tranberg AS
Strandsvingen 6, N-4032 Stavanger, Norway
Luhrtoppen 2, N-1470 Lørenskog, Norway
info.no-st@r-stahl.com
www.stahl-tranberg.com

Projection

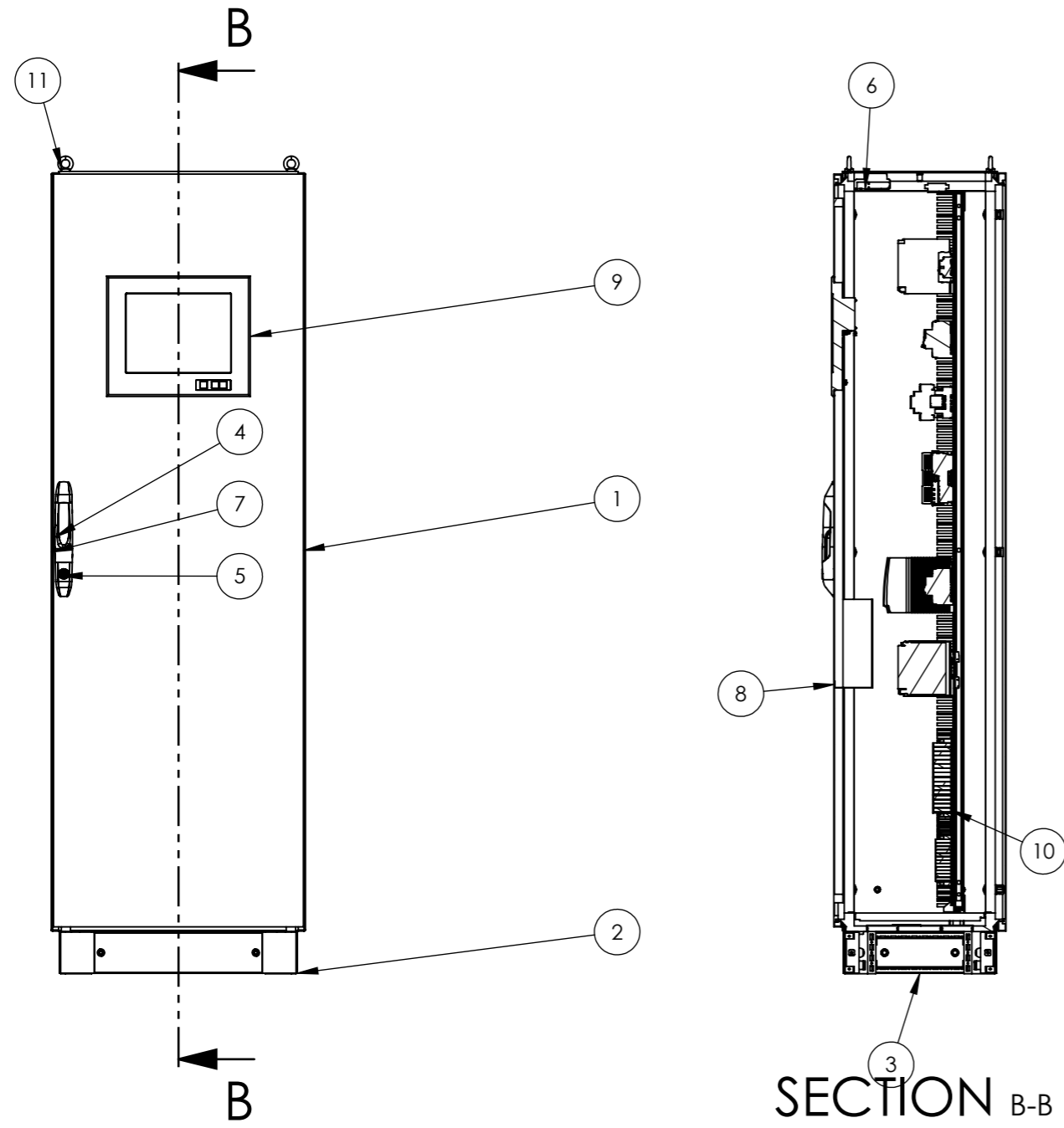


Unless otherwise specified:
Dimensions are in mm.
Tolerances according to
ISO 2768-M

4600 371 All functions 100-240VAC
External GA

Drw. no.:	Rev.
460A117917	0
Subst. for:	Format
Sheet name: Sheet1	A3
Scale: 1:15	
Date: 29.12.2020	
Design: FO	

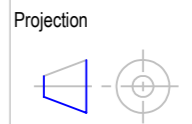
The information contained in this drawing is the sole property of R. Stahl Tranberg AS. Any reproduction in part or as a whole without the written permission of R. Stahl Tranberg AS is prohibited.



ITEM NO.	PART NUMBER	DESCRIPTION	QTY.
1	Enclosure VX25 8684_000_2_	Baying enclosure system VX25	1
2	8640_002_T_300AN_co mplete	Base plinth corner pieces with base plinth trim pane	2
3	8640_031_B_300_compl ete	Base plinth trim panels	2
4	Comfort handle 8618_200	Comfort handle VX for VX, VX IT	1
5	Lock insert 8618_306	Lock insert	1
6	LED system light 2500_300__A_complet e	LED system light	1
7	Side panel 8184_245	Side Panel	2
8	Document Pocket 4116_000M51	Document pocket	1
9	TPM3121	Phønix TPM3121/2404521/FR01/P28/R33	1
10	401A117916	Fully Assembled Mounting plate 4600371	1
11	Eyebolt DIN 358-M8- N		4



R. Stahl Tranberg AS
 Strandsvingen 6, N-4032 Stavanger, Norway
 Luhrtoppen 2, N-1470 Lørenskog, Norway
 info.no-st@r-stahl.com
 www.stahl-tranberg.com

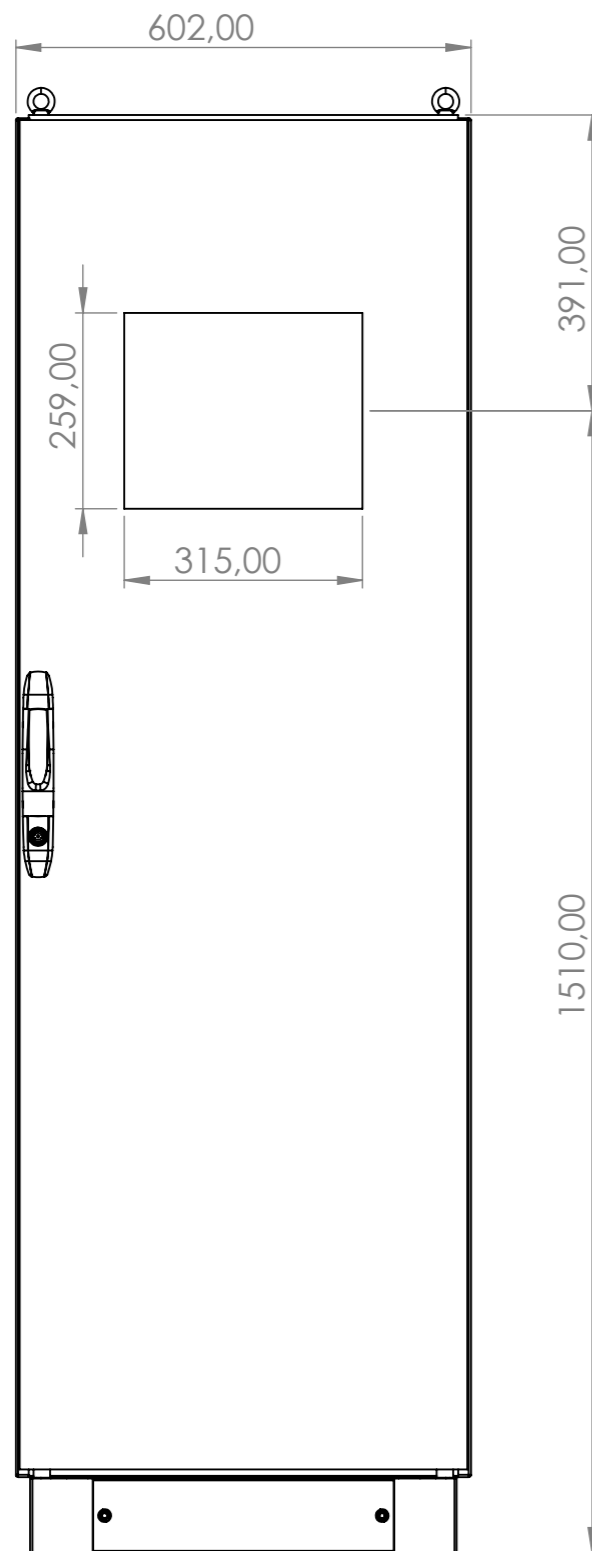


Unless otherwise specified:
 Dimensions are in mm.
 Tolerances according to
 ISO 2768-M

4600 371 All functions 100-240VAC
 External GA

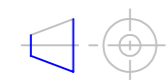
Drw. no.:	Rev.
460A117917	0
Subst. for:	Format
Sheet name: Sheet2	A3
Scale: 1:15	
Date: 29.12.2020	-
Design: FO	

The information contained in this drawing is the sole property of R. Stahl Tranberg AS. Any reproduction in part or as a whole without the written permission of R. Stahl Tranberg AS is prohibited.



R. Stahl Tranberg AS
 Strandsvingen 6, N-4032 Stavanger, Norway
 Luhrtoppen 2, N-1470 Lørenskog, Norway
 info.no-st@r-stahl.com
 www.stahl-tranberg.com

Projection



Unless otherwise specified:
 Dimensions are in mm.
 Tolerances according to
 ISO 2768-M

4600 371 All functions 100-240VAC
 External GA

Drw. no.:	Rev.
460A117917	0
Subst. for:	Format
Sheet name: Sheet3	A3
Scale: 1:10	-
Date: 29.12.2020	
Design: FO	

The information contained in this drawing is the sole property of R. Stahl Tranberg AS. Any reproduction in part or as a whole without the written permission of R. Stahl Tranberg AS is prohibited.