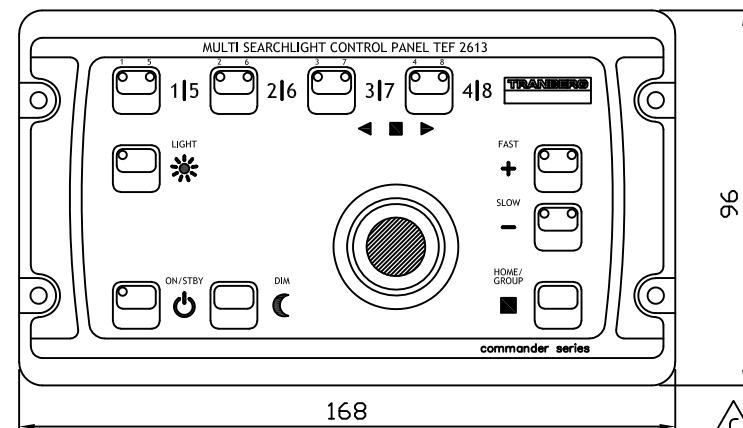
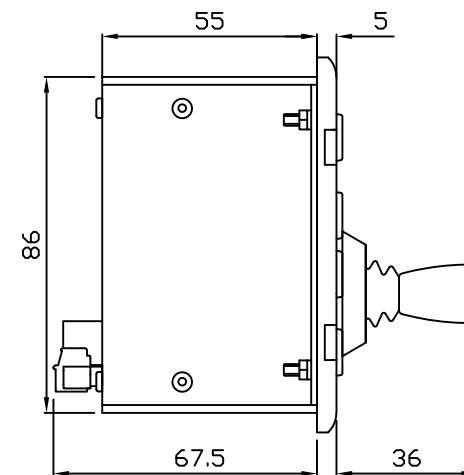


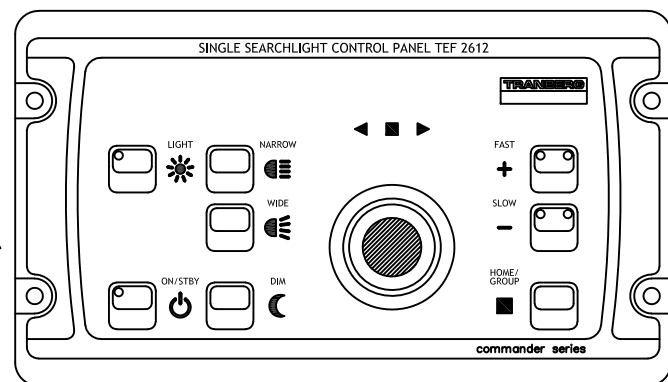
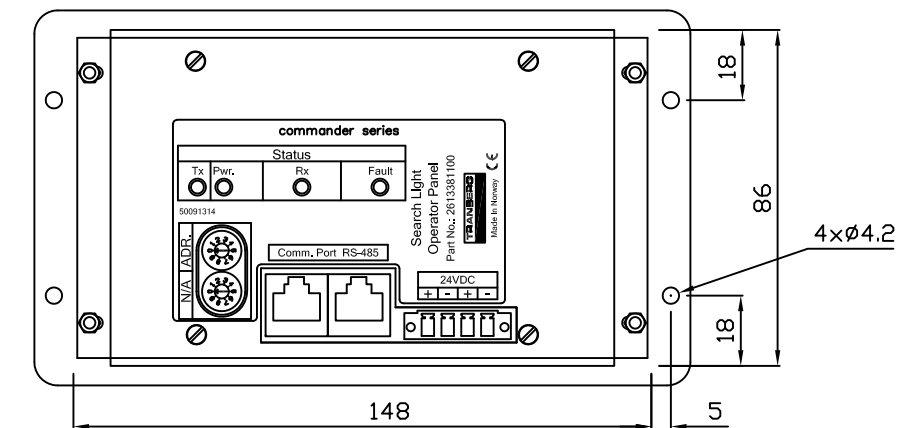
TEF 2613 Multi searchlight control panel



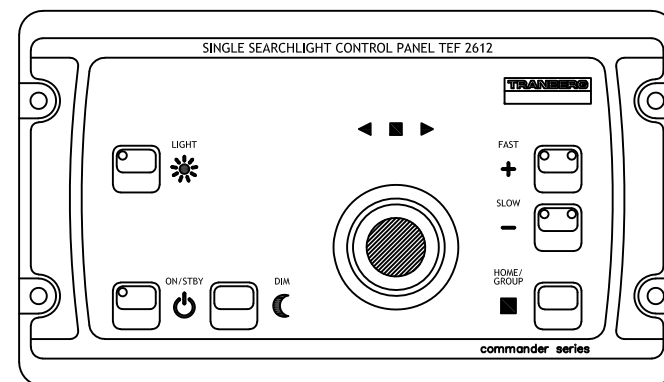
TEF 2613 Multi searchlight control panel



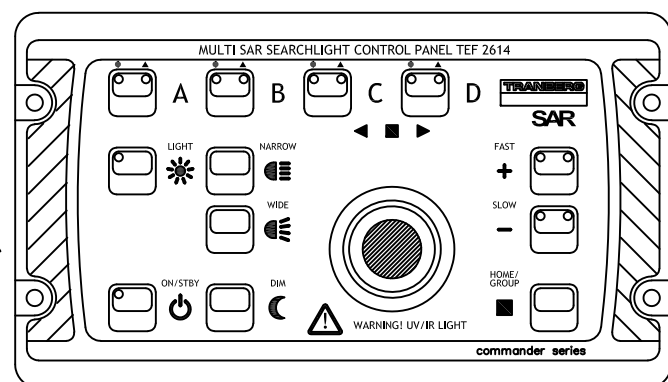
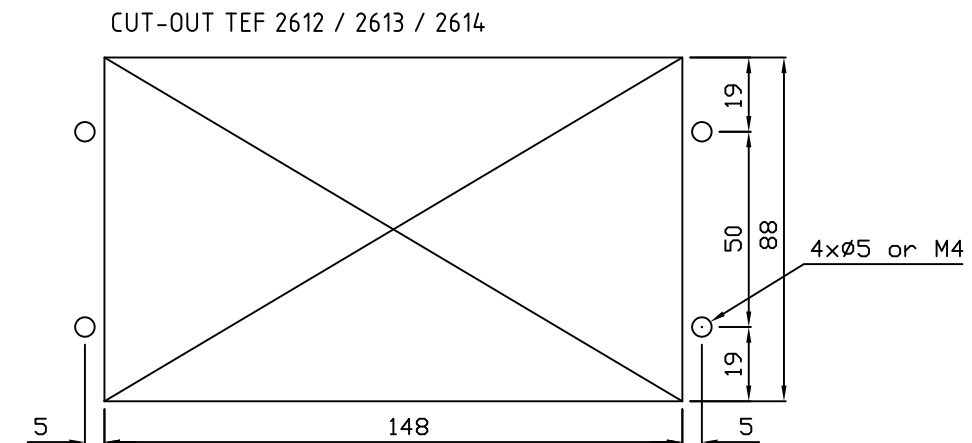
A



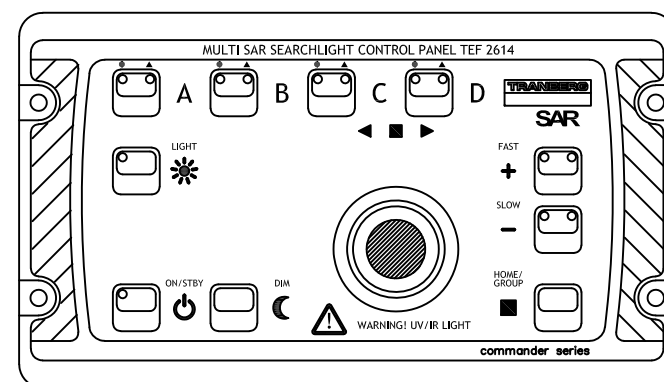
TEF 2612 Single searchlight control panel



TEF 2612 Single searchlight control panel



TEF 2614 Multi SAR searchlight control panel



TEF 2614 Multi SAR searchlight control panel

NOTE: Location of buttons and other components on panels are subject to change without notice.

SYMBOL	REVISION	DATE	SIGN.
C	Ignition removed New panels added without focus	15.01.18	GL
B	Fixed visuals of button tops	13.02.2017	BKF
A	Added side view of panel	28.09.2010	GRS

	Strandsvingen 6, P.O.Box 8033 N-4068 STAVANGER, NORWAY www.tranberg.com info@tranberg.com	Projection 	Gen. rough.
			Gen. toler.
TEF 2612 / 2613 / 2614 SEARCHLIGHT CONTROL PANEL DIMENSIONAL DRAWING AND CUT-OUT			Drw. no. 600A102101 Rev. C
			File nr. 600A102101
			Subst. for
			Subst. by
			Page 1 of 1 Approvals
		Scale 1:2	Cust.
		Date 05.01.06	Contr.
		Design C.K.R.	Appr.