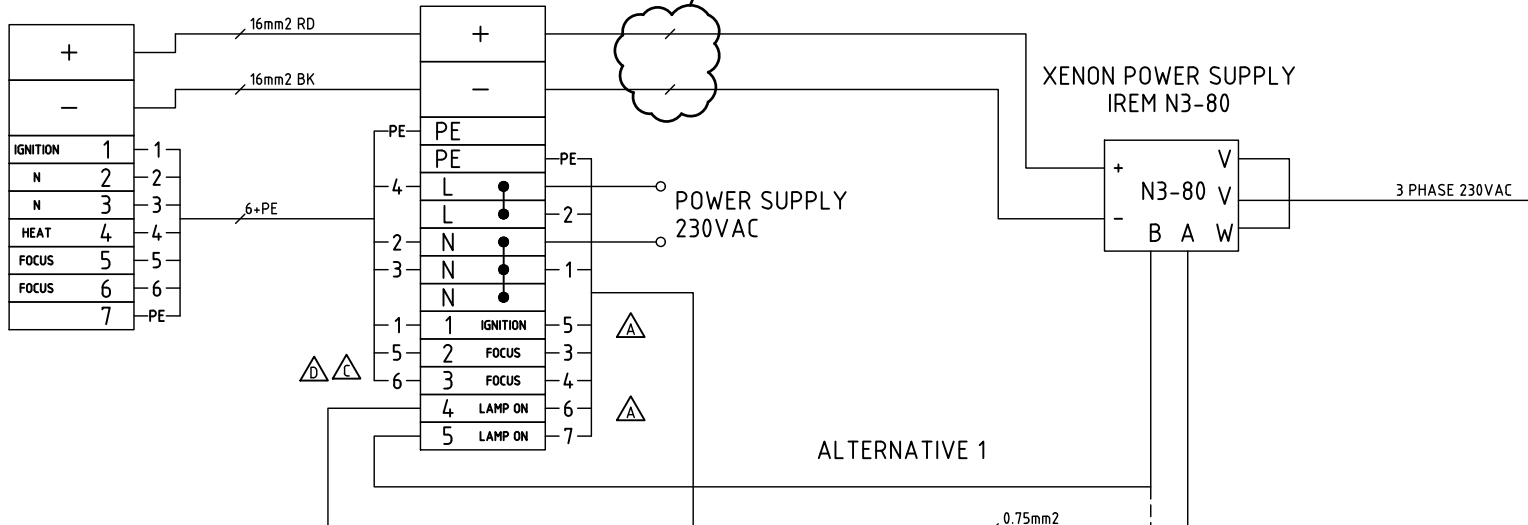


SEARCHLIGHT
TYPE: 2620/2630, 1600W/2000W XENON

JUNCTION BOX
TO BE MOUNTED CLOSE
TO SEARCHLIGHT

CABLE DIMENSIONS TO BE CALCULATED;
LONGER CABLES-HIGHER VOLTAGE LOSS



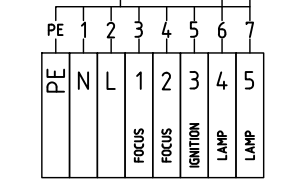
⚠ ⚠

⚠

⚠

ALTERNATIVE 1

ALTERNATIVE 2



CONTROL PANEL TEF2610
PART NO. 2610010001

⚠

⚠	UNDO REVISION C (SWITCHED BACK FOCUS MOTOR CONNECTIONS)	01.12.2011	HHB
⚠	SWITCHED FOCUS MOTOR CONNECTIONS	30.11.11	HHB
⚠	PART NO. CHANGED	28.11.11	G.L.
⚠	CHANGED CONNECTIONS	07.01.2009	C.K.R.
SYMBOL	REVISION	DATE	SIGN.
Strandsvingen 6, P.O.Box 8033 N-4068 STAVANGER, NORWAY www.tranberg.com info@tranberg.com		Projection	Gen. rough.
			Gen. toler.
			Gen. toler.
WIRING DIAGRAM TEF2620/2630 SEARCHLIGHT TEF2610 PANEL 1600W / 2000W XENON		Drw. no. 600A103543	Rev. D
		File nr. 600A103543	Format A4
		Subst. for	
		Subst. by	
Page 1 of 1	Approvals		
Scale	Cust.		
Date 24.01.08	Contr.		
Design C.K.R.	Appr.		