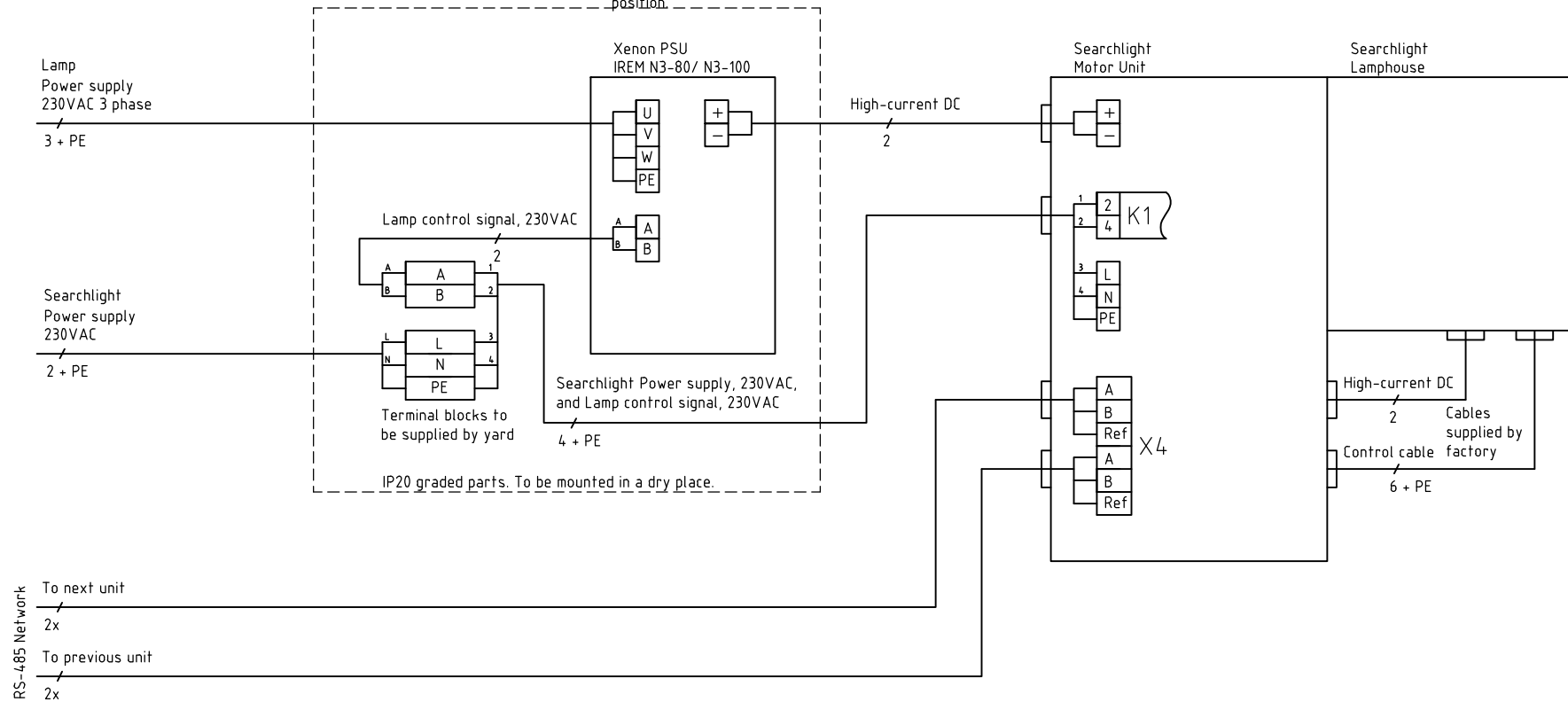
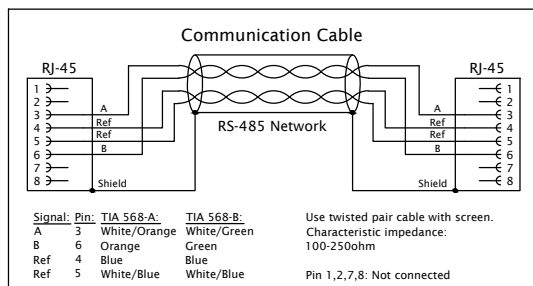


NOTE: The ON/OFF switch on top of the N3-80 /N3-100 must be set to the OFF ('0') position.



ALL CABLES TO BE SUPPLIED BY YARD,
UNLESS OTHERWISE NOTED.



RS-485 network:

Use 2x or 4x twisted pair cable with screen.

Characteristic impedance: 100-250ohm. Suitable cables can be cable for Profibus, Interbus, Ethernet, Cat5, Cat6 ++

Keep communication cable separated from power lines

	Strandsvingen 6, P.O.Box 8003 N-4068 STAVANGER, NORWAY www.tranberg.com info@tranberg.com	Projection	Gen. rough.
			Gen. toler.
Searchlight and Power Supply Xenon 1600/2000/3000W Wiring Diagram		Drw. no. 600A105053	Rev.
		File nr. 600A105053	Format A3
		Subst. for	Subst. by
		Page 1 of 1	Approvals
© TRANBERG A.S 2010		Scale NONE	Cust.
		Date 06.07.10	Contr.
		Design GRS	Appr.