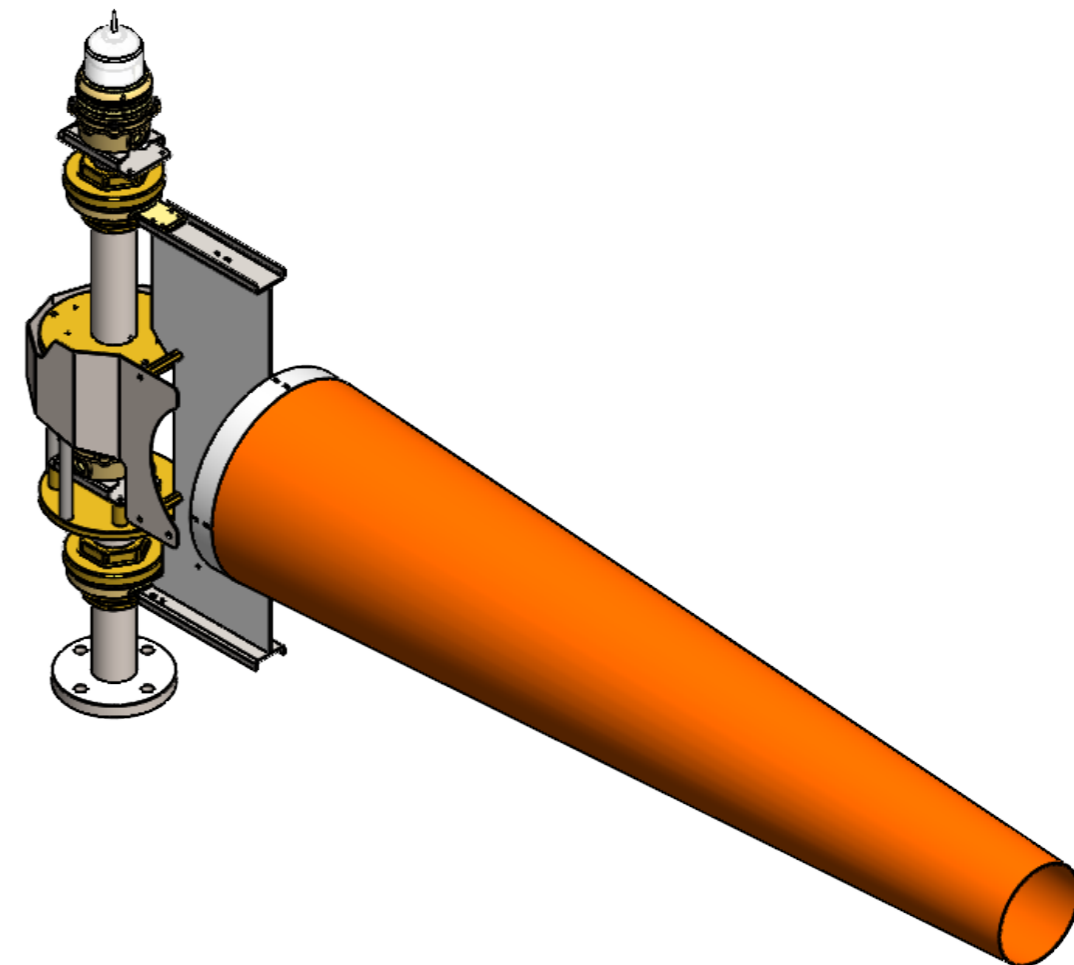
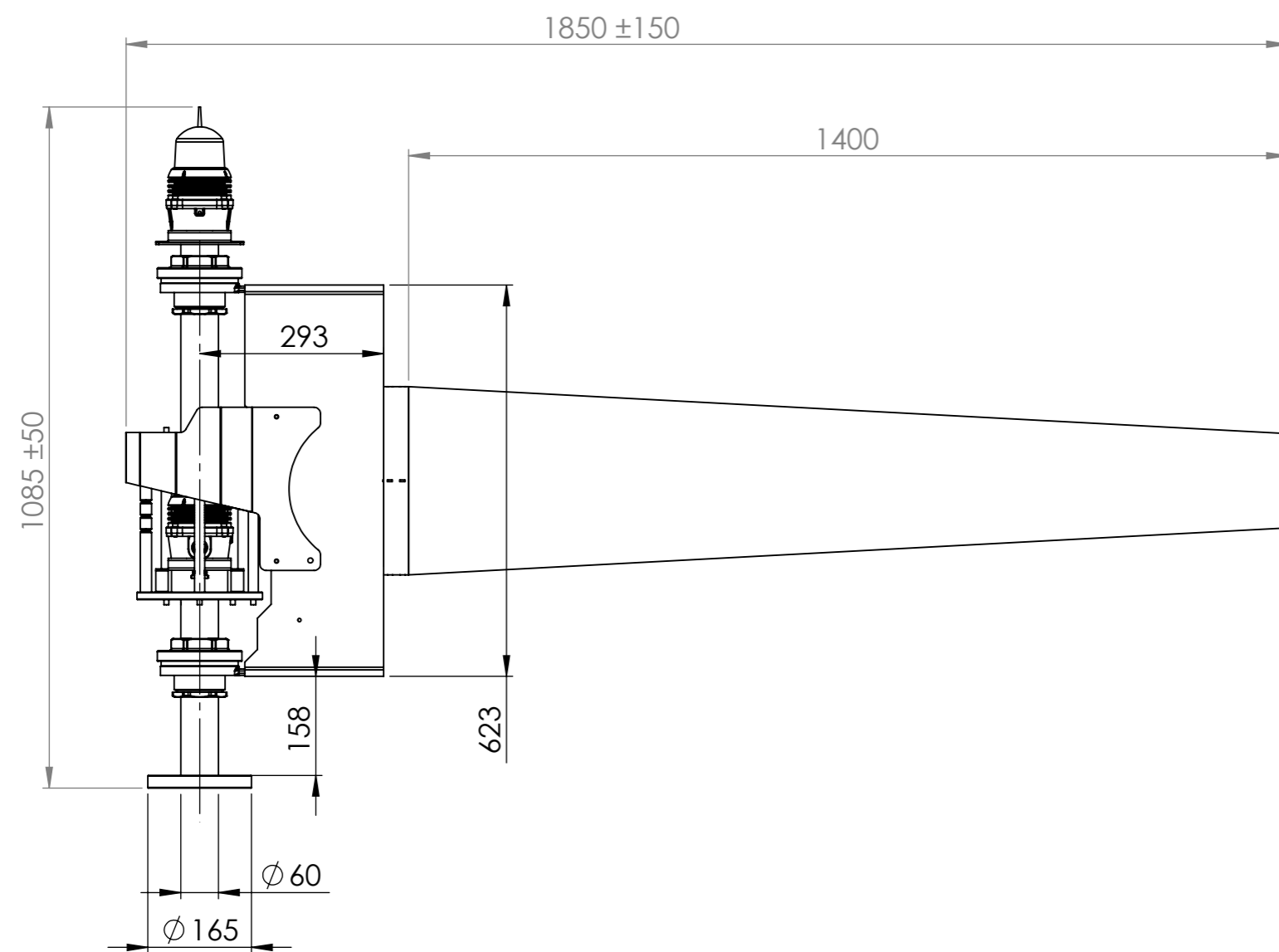
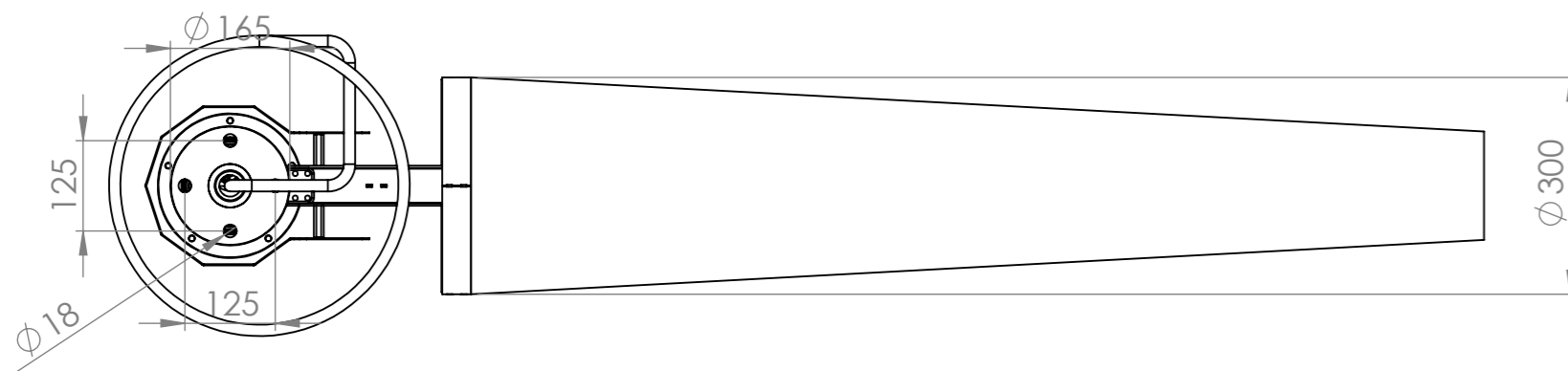


The information contained in this drawing is sole property of R.Stahl Tranberg AS. Any reproduction in part or as whole without the written permission of R. Stahl Tranberg AS is prohibited



R. Stahl Tranberg AS
 Strandsvingen 6,
 N-4032 Stavanger, Norway
 Luhrtoppen 2,
 N-1470 Lørenskog, Norway
 Info.no-st@r-stahl.com
 www.stahl-tranberg.com

Windsock arrangement
 L=1400mm Ø=300/150mm
 -
 GA Drawing

Drw. no.:	Scale:	Rev.
996A109993	1:10	01
Date:	Design:	Format
24.10.2015	AKA	A3
Page 1 of 1		

REVISIONS				
REV.	DESCRIPTION	DATE	By	APPR.
01	Updated dimensions	2023-09-05	ARS	OSU