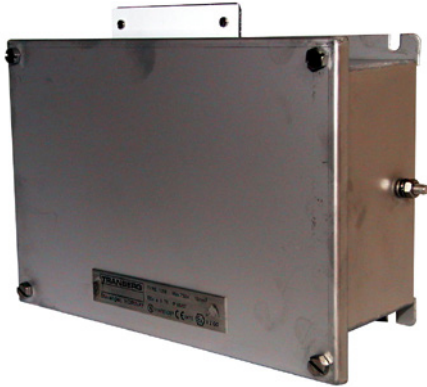


TRANBERG MARSHALLING BOX TYPE 1058 FOR HEAT TRACE ZONE 1 , ZONE 2 & SAFE AREA



Tranberg's heat trace boxes are represented in most of the oil installations in the North Sea, and also petrochemical industries and other industries subjected to rough environments.

Tranberg have designed and manufactured heat tracing equipment, and heating applications for rough environments, for more than 25 years. Our product range includes therefore a number of different heat tracing junction boxes.

APPLICATION

The TEF 1058 are used for a wide range of installations, normal solutions are:

- Electro
- Instrument
- Telecom market
- ESD's
- Control stations i. e.

FEATURES AND BENEFITS

- High ingress protection. IP66/67.
- Drainage flange in box prevents penetration of water.
- Manufactured in acid proof stainless steel (AISI 316L)
- Tailor made size and performance is possible.
- Stainless steel type label spot welded to the cover.
- Several earthing alternatives.
- Maximum strength and corrosion resistance.
- High operational reliability.
- Low lifetime maintenance cost.
- Thousands of Tranberg's Junction Boxes are installed during the last years.

TECHNICAL DATA

Ex-protection:	Exe II T6
Protection:	IP66 / IP67
Material:	AISI 316L / EN 1.4404
Finish:	Bright chemical dip
Voltage:	Max. 16 mm ² 725V

EQUIPPED WITH

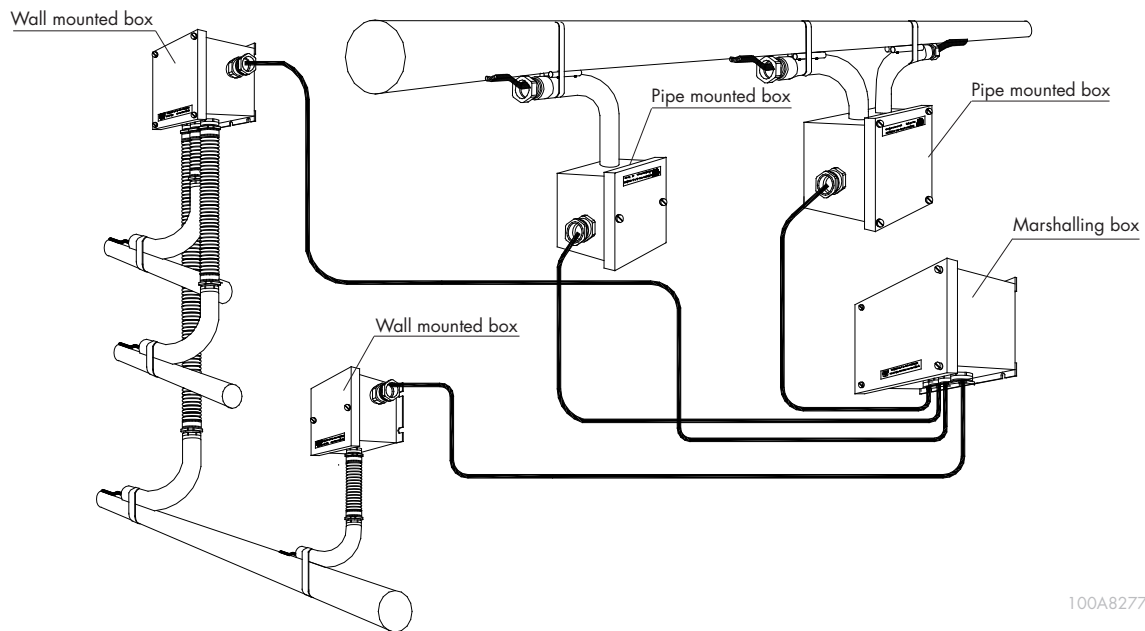
- 6 pc. Ø25 entries
- 1 pc. Ø32 entry
- 10 pc. terminals PHOENIX UT10 (5+5)
- 1 pc earth bar

APPROVALS AND CERTIFICATES

Approval:	ATEX: Presafe 14ATEX4124
	IECEX: IECEX PRE 14.0001

Subject to change without prior notice

TRANBERG®



100A8277

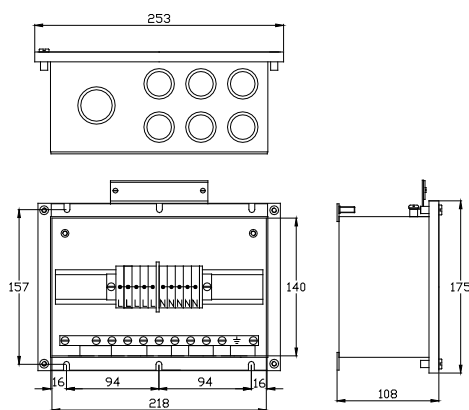
DESCRIPTION

	Weight	Part No.
Marshalling box	1,6 kg.	1058 2509

DESCRIPTION ACCESSORIES

	Weight	Part No.
Cable gland, Brass M25D2 Exe for cable 11 - 15 mm		622 25 20
Cable gland, Brass M25D1 Exe for cable 15 - 20,1 mm		622 25 10
Cable gland, Brass M32D1 Exe for cable 15 - 20,1 mm		622 32 20
Stopping plug, Brass M25 Exe with lock nut	0,1 kg.	6502 500
Drain plug, Brass M25 Exe with lock nut	0,1 kg.	7302 106
Trafolyte label with mounting kit		9090 025

DIMENSIONS AND ILLUSTRATIONS



1058 2509

100A8277

TRANBERG®