

TRANBERG® CABLE PROTECTION

TEF 7210 Cladding Protector

Heat Trace Accessories



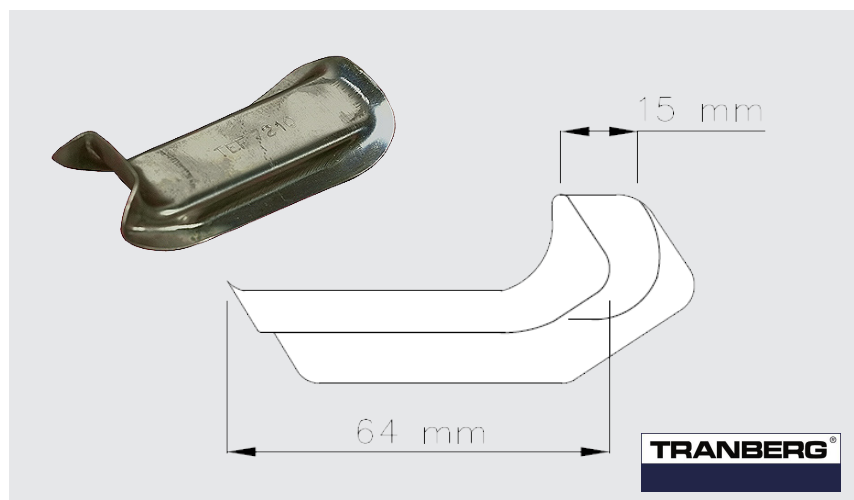
Cladding protector, Acid resistant stainless steel

Application

- For heating cable protection

Features and Benefits

- Best way to protect heating cable from damage



Description

Cladding protector

Part No.

7210 002

TRANBERG STAHL

THE STRONGEST LINK.

R. STAHL TRANBERG AS

Main office | Strandsvingen 6 | N-4032 Stavanger, Norway | T +47 51 57 89 00 | E info.no-st@r-stahl.com | stahl-tranberg.com
Oslo office | Luhrtoppen 2 | N-1470 Lørenskog, Norway | T +47 24 08 44 10 | E info.no-os@r-stahl.com | stahl-tranberg.com