

TRANBERG® CABLE PROTECTION

TEF 7211 Flange Crossing Protection

Heat Trace Accessories

Flange crossing protection kit.
For protection of heating cables. Delivered
with or without silicon rubber.

Application

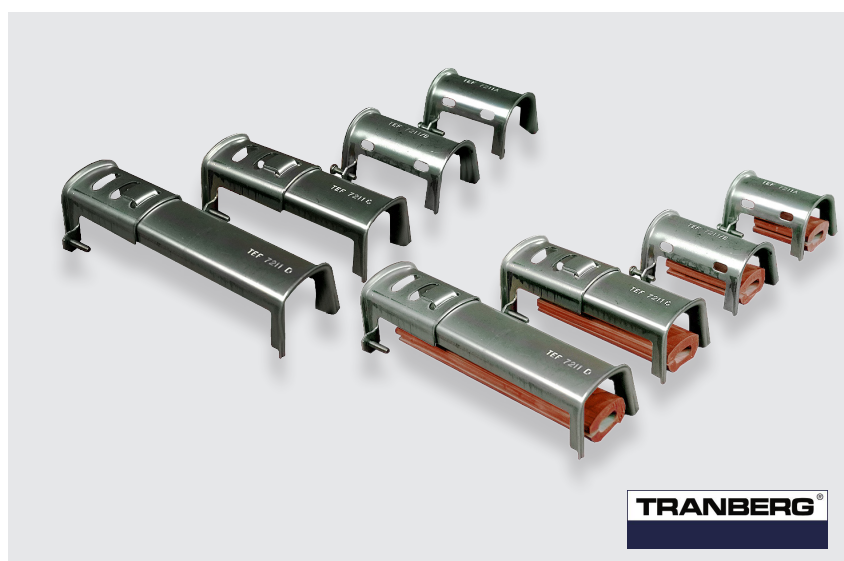
- To protect heating cable from damage
when crossing flange

Features and benefits

- Best way to protect heating cable from
damage

Approvals and certificates

N/A



Technical Data

Material: AISI316L with or without silicon rubber

TRANBERG **STAHL**

THE STRONGEST LINK.

R. STAHL TRANBERG AS

Main office | Strandsvingen 6 | N-4032 Stavanger, Norway | T +47 51 57 89 00 | E info.no-st@r-stahl.com | stahl-tranberg.com
Oslo office | Luhrtoppen 2 | N-1470 Lørenskog, Norway | T +47 24 08 44 10 | E info.no-os@r-stahl.com | stahl-tranberg.com

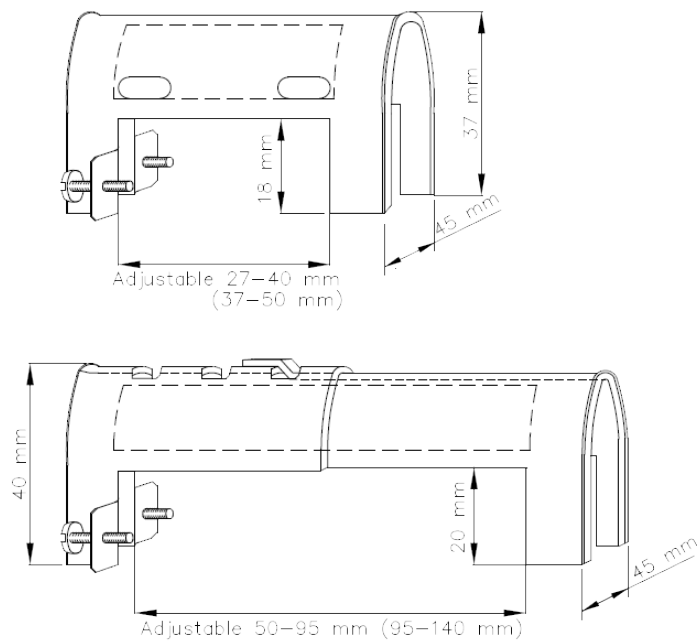
TRANBERG® CABLE PROTECTION

TEF 7211 Flange Crossing Protection

Heat Trace Accessories

Description	Part No.
Without silicone rubber	
TEF 7211A for flange 27 - 40mm	7211 001
TEF 7211B for flange 37 - 50mm	7211 002
TEF 7211C for flange 50 - 95mm	7211 007
TEF 7211D for flange 95 - 140mm	7211 008
With silicone rubber	
TEF 7211A for flange 27 - 40mm	7211 003
TEF 7211B for flange 37 - 50mm	7211 004
TEF 7211C for flange 50 - 95mm	7211 005
TEF 7211D for flange 95 - 140mm	7211 006

Dimensions



720A8273



R. STAHL TRANBERG AS

Main office | Strandsvingen 6 | N-4032 Stavanger, Norway | T +47 51 57 89 00 | E info.no-st@r-stahl.com | stahl-tranberg.com

Oslo office | Luhrtoppen 2 | N-1470 Lørenskog, Norway | T +47 24 08 44 10 | E info.no-os@r-stahl.com | stahl-tranberg.com