



CABLE PROTECTION

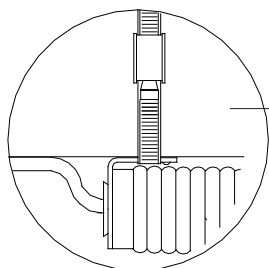
TEF 7000 059 CONDUIT TERMINATOR

FOR MOUNTING ON PIPES

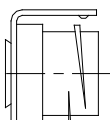
HEAT TRACE ACCESSORIES

Subject to change without prior notice TPS1038 REV. C 10.07.2017

Conduit terminator for flexible conduit



Illustration



700A7769

APPLICATION

- For flexible conduit with:
Inner diameter: 18,8mm
Outer diameter 22,3mm

FEATURES AND BENEFITS

- Protecting cable from sharp edges in end of Tranberg flexible conduit
- Easy to strap onto pipe

TECHNICAL DATA

Material: Brass,
Acid proof stainless steel

APPROVALS AND CERTIFICATES

NA



R. Stahl Tranberg AS
E info@stahl-tranberg.com | stahl-tranberg.com
Main office: Strandsvingen 6 | N-4032 Stavanger | Norway | T +47 51 57 89 00 | F +47 51 57 89 50
Office Oslo: Luhrtoppen 2 | N-1470 Lørenskog | Norway | T +47 24 08 44 10

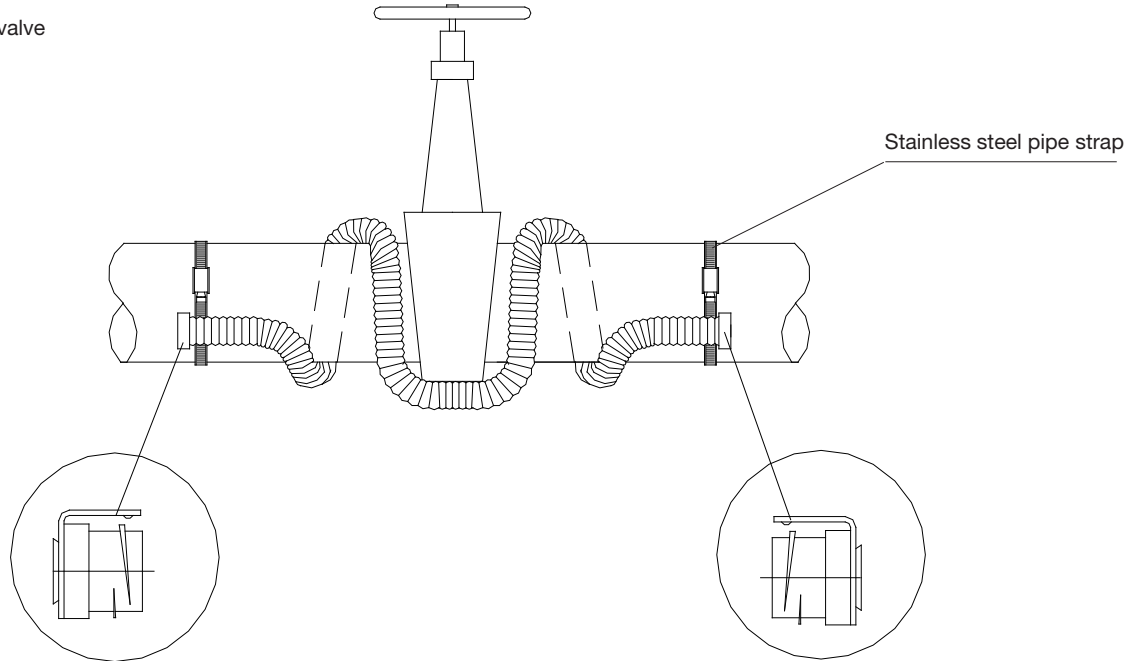
TEF 7000 059 CONDUIT TERMINATOR

DESCRIPTION

	Weight	Part No.
1 pc. Conduit terminator for pipe mounting	0,106 kg.	7000 059

ILLUSTRATIONS

Flexible conduit across valve



Flexible conduit across flange

