

TRANBERG® STOPPING PLUG

TEF 793-650 Ex d/ Ex e - Metric Threads

Zone 1, Zone 2 & Safe Area



Stopping plugs are required to close unused entries in enclosures. Stahl Tranberg have a wide variety of stopping plugs, in various designs, and available in brass or stainless steel (316).

This model is certified to both ATEX and IECEx.

Development and manufacturing of this product is done at our factory in Stavanger, Norway.

Application

- Outdoor or indoor.
- Suitable for use in hazardous area, zone 1, zone 2 and safe area.

Features and benefits

- Available in brass and stainless steel AISI 316 (EN 1.4401).

Approvals and certificates

IECEx certificate No.: IECEx NEM 13.0025X

ATEX certificate No.: NEMKO 13 ATEX 1553X

Compliance standards:

Directive 2014/34/EU

IEC 60079-0-*

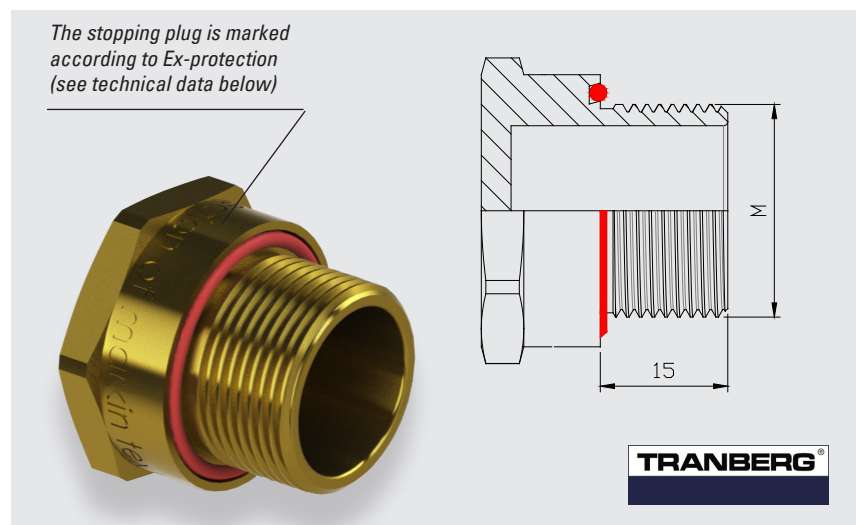
IEC 60079-7-*

IEC 60079-1-*

* Refer to EU Declaration of conformity for more details.

Special conditions for use:

Blanking elements shall not be used with adaptors.



Technical Data

| | |
|-----------------------|---|
| Material cable gland: | Brass or stainless steel, silicone sealing material, O-ring |
| Material O-ring: | Silicone Shore A 70 Red |
| Ingress protection: | IP66/67 |
| Ambient temperature: | -60°C to +135°C |
| Ex protection: | Ex II 2 G Ex db IIC / Ex eb IIC |

TRANBERG STAHL

THE STRONGEST LINK.

R. STAHL TRANBERG AS

Main office | Strandsvingen 6 | N-4032 Stavanger, Norway | T +47 51 57 89 00 | E info.no-st@r-stahl.com | stahl-tranberg.com

Oslo office | Lohrtoppen 2 | N-1470 Lørenskog, Norway | T +47 24 08 44 10 | E info.no-os@r-stahl.com | stahl-tranberg.com

TRANBERG® STOPPING PLUG

TEF 793-650 Ex d/ Ex e - Metric Threads

Zone 1, Zone 2 & Safe Area

| Description | Entry thread | Entry length | Across flats | Across corners | Part No. Brass | Part No. AISI 316 |
|-----------------------------------|--------------|--------------|--------------|----------------|----------------|-------------------|
| Stopping Plug Exe/Exd: TEF793/650 | M16x1.5 | 15 mm | 24 mm | 27 mm | 6501601 | 6501606 |
| Stopping Plug Exe/Exd: TEF793/650 | M20x1.5 | 15 mm | 27 mm | 30 mm | 6502001 | 6502006 |
| Stopping Plug Exe/Exd: TEF793/650 | M25x1.5 | 15 mm | 32 mm | 36 mm | 6502501 | 6502506 |
| Stopping Plug Exe/Exd: TEF793/650 | M32x1.5 | 15 mm | 42 mm | 47.5 mm | 6503201 | 6503206 |
| Stopping Plug Exe/Exd: TEF793/650 | M40x1.5 | 15 mm | 50 mm | 57 mm | 6504001 | 6504006 |
| Stopping Plug Exe/Exd: TEF793/650 | M50x1.5 | 15 mm | 60 mm | 68,5 mm | 6505001 | 6505006 |
| Stopping Plug Exe/Exd: TEF793/650 | M63x1.5 | 15 mm | 80 mm | 90.5 mm | 6506301 | 6506306 |
| Stopping Plug Exe/Exd: TEF793/650 | M75x1.5 | 15 mm | 90 mm | 102 mm | 6507501 | 6507506 |
| Stopping Plug Exe/Exd: TEF793/650 | M90x1.5 | 15 mm | 110 mm | 126 mm | 6509001 | 6509006 |
| Stopping Plug Exe/Exd: TEF793/650 | M100x1.5 | 15 mm | 110 mm | 126 mm | 6501001 | 6501006 |



R. STAHL TRANBERG AS

Main office | Strandsvingen 6 | N-4032 Stavanger, Norway | T +47 51 57 89 00 | E info.no-st@r-stahl.com | stahl-tranberg.com

Oslo office | Luhrtoppen 2 | N-1470 Lørenskog, Norway | T +47 24 08 44 10 | E info.no-os@r-stahl.com | stahl-tranberg.com