

TRANBERG® NAVIGATION LIGHT

TEF 2870 Navigation Light

For Vessels 20-50m and more than 50m in Length



R. STAHL TRANBERG navigation lights are all designed for rough environments. It is the policy of R. Stahl Tranberg to provide products and services that meet the highest standards of quality in the industry and the performance needs and expectations of our customers.

Achievement of this objective requires that all products perform reliably and efficiently and in a manner that assures continuing market competitiveness. The design of Tranberg navigation lights is based on many years of experience and extensive research in the field of professional Marine lighting.

Carefully selected materials are used to ensure maximum performance, low maintenance and a long trouble free life. Proven through years of use in rough environments, navigation lights from R. Stahl Tranberg are the obvious choice by many vessel designers, ship owners and yards throughout the world.

Application

- Navigation lights for vessels 20 - 50 meters and more than 50 meters in length
- Signal light

Features and benefits

- Integrated terminalbox, no need for extra connection box (Fig. 1)
- Access to bulb from top-enabling quick replacement of light source (Fig. 2)
- Supplied with isolators to be used between the lantern and hull/mast (such as aluminium) to prevent corrosion (Fig. 3)
- Durable bracket in stainless steel (SS316L) can be used when installing the lantern on 1" or 2" pipes (Fig. 4)
- 20 years warranty on lantern
- Extremely durable to mechanical deterioration
- Designed for use in arctic and tropical waters
- Resistant to vibrations
- Lens of through-coloured glass, - no de-colouration throughout the lifetime of the lantern, can easily be cleaned for paint, bird droppings, pollution and oil



Technical Data

Material:	Brass, lens of through-coloured glass
Input voltage:	24V AC/DC
Light Source:	40 Watt Light source according to DIN 49841
Minimum visibility:	6 n. m. with clear lens 3 n.m. with coloured lens
Ingress protection:	IP56
Standard cable entries:	M20
Operating temperature:	-52°C+50°C

Approvals and certificates

DNV-GL MEDB000025U

ABS 14-LD1239623-PDA

TRANBERG STAHL

THE STRONGEST LINK.

R. STAHL TRANBERG AS

Main office | Strandsvingen 6 | N-4032 Stavanger, Norway | T +47 51 57 89 00 | E info.no-st@r-stahl.com | stahl-tranberg.com
Oslo office | Lührtoppen 2 | N-1470 Lørenskog, Norway | T +47 24 08 44 10 | E info.no-os@r-stahl.com | stahl-tranberg.com

TRANBERG® NAVIGATION LIGHT

TEF 2870 Navigation Light

For Vessels 20-50m and more than 50m in Length

Description	Type	Voltage		Colour	Weight	Part No.
TEF 2870 Navigation light	Masthead	24V	225°	White	2,85 kg.	2870 001
TEF 2870 Navigation light	Starboard	24V	112,5°	Green	2,85 kg.	2870 101
TEF 2870 Navigation light	Port	24V	112,5°	Red	2,85 kg.	2870 201
TEF 2870 Navigation light	Stern	24V	135°	White	2,85 kg.	2870 301
TEF 2870 Navigation light	Stern towing	24V	135°	Yellow	2,85 kg.	2870 331
TEF 2870 Navigation light	Stern Suez	24V	135°	Red	2,85 kg.	2870 322
TEF 2870 Navigation light	Stern Kiel	24V	135°	White	2,85 kg.	2870 301
TEF 2870 Navigation light	All round	24V	360°	White	2,85 kg.	2870 510
TEF 2870 Navigation light	All round	24V	360°	Green	2,85 kg.	2870 610
TEF 2870 Navigation light	All round	24V	360°	Red	2,85 kg.	2870 710
TEF 2870 Navigation light	1/2 All round	24V	180°	White	2,85 kg.	2870 511
TEF 2870 Navigation light	1/2 All round	24V	180°	Green	2,85 kg.	2870 611
TEF 2870 Navigation light	1/2 All round	24V	180°	Red	2,85 kg.	2870 711
TEF 2870 Navigation light	Additional	24V	360°	White	2,85 kg.	2870 516
TEF 2870 Navigation light	Additional	24V	360°	Red	2,85 kg.	2870 716
TEF 2870 Navigation light	1/2 All round Additional	24V	180°	White	2,85 kg.	2870 515
TEF 2870 Navigation light	1/2 All round Additional	24V	180°	Red	2,85 kg.	2870 715

Description Options and Spare Parts	Weight	Part No.
Mounting Bracket 1"	0,45 kg	2600
Mounting Bracket 2"	0,60 kg	2440
Glass lens White	1,6 kg	5048 0027
Glass lens Green	1,6 kg	5048 1018
Glass lens Red	1,6 kg	5048 2018
Glass lens Yellow	1,6 kg	5048 3012
Lamp holder P28S	0,06 kg	5088 0019
Light source 24V		9400 049
Silicon 300 ml (327 g)		50080016



R. STAHL TRANBERG AS

Main office | Strandsvingen 6 | N-4032 Stavanger, Norway | T +47 51 57 89 00 | E info.no-st@r-stahl.com | stahl-tranberg.com

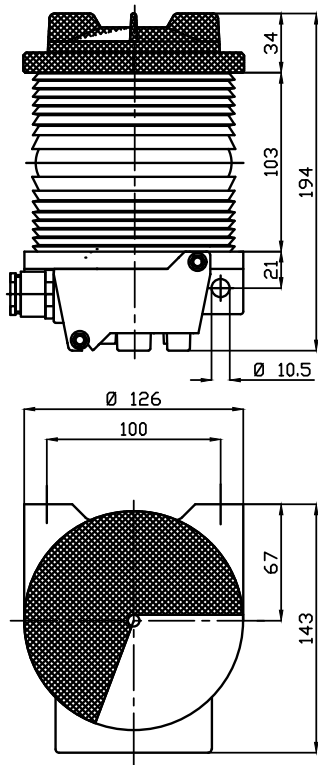
Oslo office | Lührtoppen 2 | N-1470 Lørenskog, Norway | T +47 24 08 44 10 | E info.no-os@r-stahl.com | stahl-tranberg.com

TRANBERG® NAVIGATION LIGHT

TEF 2870 Navigation Light

For Vessels 20-50m and more than 50m in Length

Dimensions & Illustrations



280A4966

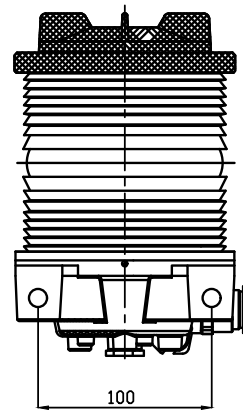
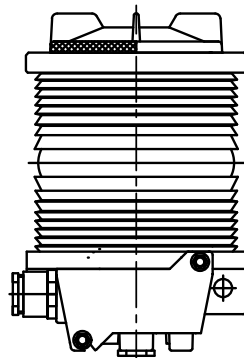
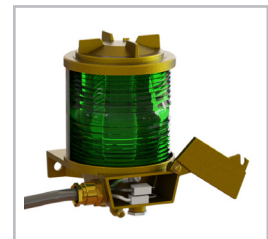


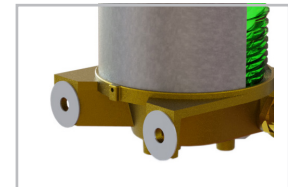
Fig. 2



Fig. 1



(Fig. 3)



(Fig. 4)



(Fig. 5)



Fig. 5: Recommended mounted double tiers and single lanterns.

The lantern is supplied with a drain plug in the bottom plus a stopping plug. The drain plug (default) is used when the lantern is positioned up-right, the drain plug is replaced with the stopping plug when the lantern is installed upside down.