

TRANBERG® CONTROL PANEL

TEF 4722 navigation lights control panel, single lantern installation, 230V (115V) system

Safe Area



Navigation lights control panel for the TEF 2850 Lanterns, 230V (115V) power supply.

The TEF 4722 control panel series is constructed to operate and monitor navigation- and signal lights on all kinds of vessels.

Application

- For single tier lanterns
- For control, monitoring and fusing of all types of 230V (115V) lanterns
- Offered in three different sizes: for 9, 13 and 16 lanterns
- Offered for flush mounting or in cabinet for bulk mounting

Features and benefits

- Engraved text specified by customer. Front plate is easily changeable.
- Easy installation (all terminals are separated from control box with a 1 meter flexible conduit) (Flush mounting version only).
- Acoustic and visible alarm
- Potential free contact set for remote monitoring of alarms
- Test button for indicator LED's and alarm circuit
- Two pole switches
- Dimmable indicator LED's

Options

- 115 V AC version
- For vessels with two sailing directions. (Double ended ferries)
- With manual power supply selector

Approvals and certificates

DNV Type Approval



Technical Data

Material:	Black anodised aluminium. Engraved text.
Supply voltage:	2 x 230V AC (Option 2x115V AC)
Max. power consumption :	800 W (9 circuits), 1150 W (13 circuits), 1400 W (16 circuits)
Load:	Filament lamps / 230V (115V) max. 85W
Fuses:	Ceramic 5 x 20mm, 4 AF, Located in terminal box
Dimensions (WxHxD):	144 x 384 x 150mm
Weight 12 circuits:	Max 5,5 kg.
Cut-out:	124 x 364mm

TRANBERG STAHL

THE STRONGEST LINK.

R. STAHL TRANBERG AS

Main office | Strandsvingen 6 | N-4032 Stavanger, Norway | T +47 51 57 89 00 | E info.no-st@r-stahl.com | stahl-tranberg.com
Oslo office | Lohrtoppen 2 | N-1470 Lørenskog, Norway | T +47 24 08 44 10 | E info.no-os@r-stahl.com | stahl-tranberg.com

TRANBERG® CONTROL PANEL

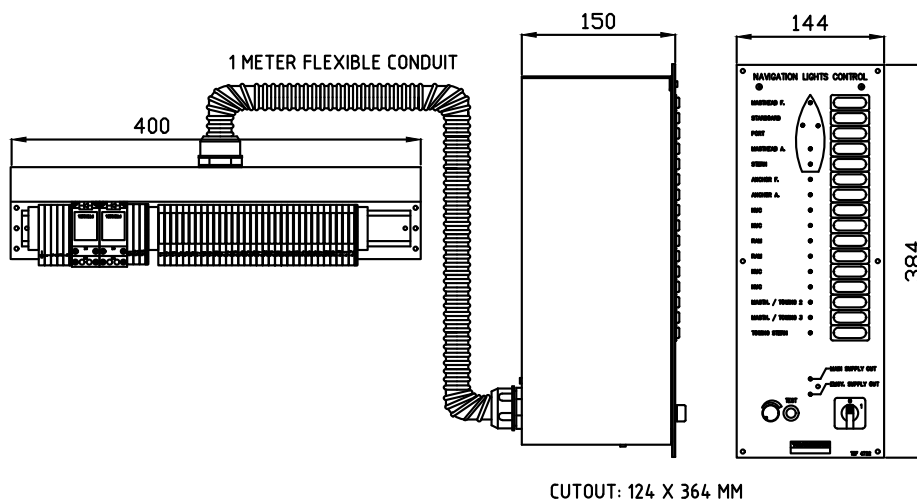
TEF 4722 navigation lights control panel, single lantern installation, 230V (115V) system

Safe Area

Description	Weight	Part No.
TEF 4722 Navigation Light Control Panel: 1x9 Circuits, Dim:144x384x150mm, 230VAC	5,5 kg.	4722 010
TEF 4722 Navigation Light Control Panel: 1x13 Circuits, Dim:144x384x150mm, 230VAC	5,5 kg.	4722 011
TEF 4722 Navigation Light Control Panel: 1x16 Circuits, Dim:144x384x150mm, 230VAC	5,5 kg.	4722 012
TEF 4722 Navigation Light Control Panel: 1x9 Circuits, Dim:550x350mm, 230VAC	5,5 kg.	4722 015
TEF 4722 Navigation Light Control Panel: 1x13 Circuits, Dim:550x350mm, 230VAC	5,5 kg.	4722 016
TEF 4722 Navigation Light Control Panel: 1x16 Circuits, Dim:550x350mm, 230VAC	5,5 kg.	4722 017

Description Options and Spare Parts	Part No.
Main switch	5023 0083
Circuit switch	5023 0008
Test button	5023 0029
Potentiometer	5021 1028
Main printed circuit board P91	4816
LED card P93	4821
Main printed circuit board P99, 230V (transformers)	3432
Fused terminal block	5028 1172 + 5028 1173

Dimensions & Wiring



R. STAHL TRANBERG AS

Main office | Strandsvingen 6 | N-4032 Stavanger, Norway | T +47 51 57 89 00 | E info.no-st@r-stahl.com | stahl-tranberg.com

Oslo office | Luhrtoppen 2 | N-1470 Lørenskog, Norway | T +47 24 08 44 10 | E info.no-os@r-stahl.com | stahl-tranberg.com