

TRANBERG® LIGHTING

TEF 2457 Luminaire Emergency

Safe Area



TRANBERG® luminaires are all designed for use in rough environments. It is the policy of R. Stahl Tranberg to provide products and services that meet the highest standards of quality in the industry, the performance needs and expectations of

our customers. The design of TRANBERG® luminaires is based on many years of experience and extensive research in the field of professional Marine lighting.

Carefully selected materials are used to ensure maximum performance, low maintenance and a long trouble free life.

Application

- Deck lighting
- Signal lighting
- Emergency light
- Life boat light
- For use in safe areas

Features and benefits

- Rugged and low profile
- Simple to install and maintain
- Proven ingress protection
- Resistant to vibrations
- Tested according to IEC 60945:1996
- Resistant to salt-laden atmospheres

Approvals and certificates

N/A



Technical Data

Material:	Cast brass with Polycarbonate lexan globe
Input voltage:	12V & 24V
Lamp type:	del 10-20W Xelogen
Lamp holder:	del G4 Xelogen lamp
Power consumption:	Max. 25W, dependant on light source
Ingress protection:	IP56
Weight:	0,65 kg
Globe colors:	Clear, red, green, blue and yellow
Cable entries:	1x M20 Cable Gland, 1x M20 stopping plug
Note:	Globe and bulb to be ordered separately

TRANBERG STAHL

THE STRONGEST LINK.

R. STAHL TRANBERG AS

Main office | Strandsvingen 6 | N-4032 Stavanger, Norway | T +47 51 57 89 00 | E info.no-st@r-stahl.com | stahl-tranberg.com
Oslo office | Luhrtoppen 2 | N-1470 Lørenskog, Norway | T +47 24 08 44 10 | E info.no-os@r-stahl.com | stahl-tranberg.com

TRANBERG® LIGHTING

TEF 2457 Luminaire Emergency

Safe Area

Description

Luminaire for Xelogen lamp G4, scheme 1, without regulator

Part No

2457103

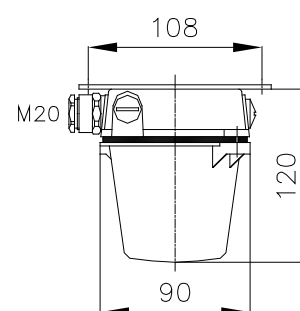
Note: All luminaires are delivered without globe and bulb, must be ordered separately

Spare Parts

Part No.

Globe for incandescent lamp, clear	2000 039
Globe for incandescent lamp, green	2000 040
Globe for incandescent lamp, red	2000 038
Globe for incandescent lamp, blue	2000 042
Globe for incandescent lamp, yellow	2000 041
Globe for xelogen lamp, with reflector G4, clear	2000 026
Globe for xelogen lamp, with reflector G4, green	2000 027
Globe for xelogen lamp, with reflector G4, red	2000 025
Globe for xelogen lamp, with reflector G4, yellow	2000 028
Globe for xelogen lamp, with reflector G4, blue	2000 029
Glass gasket	5001 0022
Lampholder E27	5087 0011
Lampholder G4	1346
Lampholder G4, 24V reg.	1636
Cable gland M20, brass	7045 042
Xelogen lamp 12V, 20W, G4	9400 040
Xelogen lamp 24V, 10W, G4	9400 041
Xelogen lamp 24V, 20W, G4	9400 042

Dimensions



257A2740



R. STAHL TRANBERG AS

Main office | Strandsvingen 6 | N-4032 Stavanger, Norway | T +47 51 57 89 00 | E info.no-st@r-stahl.com | stahl-tranberg.com

Oslo office | Luhrtoppen 2 | N-1470 Lørenskog, Norway | T +47 24 08 44 10 | E info.no-os@r-stahl.com | stahl-tranberg.com