

TRANBERG® INSTALLATION

TEF 1239 Watertight Switch

Safe Area



TEF 1239 switch is a classic which has been on the market for several years. It is used on vessels world wide.

Classic design and good quality makes it first choice when it comes to watertight switches for use in harsh environments.

TEF 1239 is supplied as standard with 2 pcs solid brass M25 cable glands and 2 pcs M25 stopping plugs.

Application

- 2 pole 16A 250V AC
- Switch for use in marine environment and safe area
- For use in harsh environments and adverse weather conditions

Features and benefits

- Watertight IP56
- Solid brass
- Easy mounting
- Switch with extremely low lifecycle cost



Approvals and certificates

N/A

Technical Data

Material cable gland:	Cast brass
Ingress protection:	IP56
Weight:	0,8 kg
Standard cable entries:	2xM25 cable glands (7,5-18mm) 2xM25 stopping plugs
For use in zone:	Safe area /Marine

TRANBERG **STAHL**

THE STRONGEST LINK.

R. STAHL TRANBERG AS

Main office | Strandsvingen 6 | N-4032 Stavanger, Norway | T +47 51 57 89 00 | E info.no-st@r-stahl.com | stahl-tranberg.com
Oslo office | Luhrtoppen 2 | N-1470 Lørenskog, Norway | T +47 24 08 44 10 | E info.no-os@r-stahl.com | stahl-tranberg.com

TRANBERG® INSTALLATION

TEF 1239 Watertight Switch

Safe Area

Description

Part No. Brass

Switch, brass, 2 pole 250V AC

1239 200

Spare parts

Part No.

Switch insert

5081 0011

Cable gland M25 (7,5-18mm)

5591

Stopping plug M25

5590

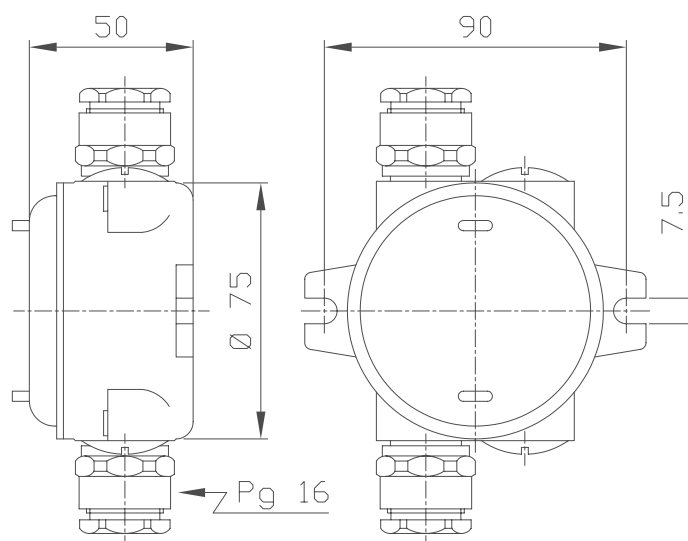
Neopren gasket for cover

5000 0027

Neopren gasket for shaft

5003 0013

Dimensions



207A4289



R. STAHL TRANBERG AS

Main office | Strandsvingen 6 | N-4032 Stavanger, Norway | T +47 51 57 89 00 | E info.no-st@r-stahl.com | stahl-tranberg.com

Oslo office | Luhrtoppen 2 | N-1470 Lørenskog, Norway | T +47 24 08 44 10 | E info.no-os@r-stahl.com | stahl-tranberg.com