

Tranberg cable glands have been manufactured at our factory in Stavanger for several decades. Our heavy duty series of cable glands are preferred for many projects. We are the Norwegian market leader for selected cable glands.

TECHNICAL DATA

Material:	Brass and aluminium
Thread type:	BSP

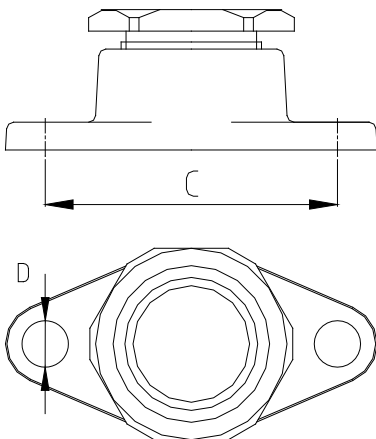
FEATURES AND BENEFITS

- Supplies with neoprene gasket, two pressure rings
- For reliable seal, use pressure ring according to cable diameter

APPROVALS AND CERTIFICATES

NA

ILLUSTRATIONS



759

D=8mm
For 1 1/2" and above, D=10mm

TEF 7162 STUFFING FLANGE

DESCRIPTION

Brass	Pc. per box	Cable diam.	Grommet	Pressure ring	Mounting C	Weight	Part No.
Stuffing flange 1/2"	25	8 - 12mm	Ø=7mm	Ø=14mm	39mm	70 gr.	7162 000
Stuffing flange 3/4"	25	10 - 16mm	Ø=11mm	Ø=16mm	43mm	100 gr.	7164 000
Stuffing flange 1"	10	14 - 24mm	Ø=18mm	Ø=24mm	55mm	165 gr.	7165 000

DESCRIPTION

Aluminium	Pc. per box	Cable diam.	Grommet	Pressure ring	Mounting C	Weight	Part No.
Stuffing flange 1/2"	25	8 - 12mm	Ø=7mm	Ø=14mm	39mm	30 gr.	7162 001
Stuffing flange 3/4"	25	10 - 16mm	Ø=11mm	Ø=16mm	43mm	40 gr.	7164 001
Stuffing flange 1"	10	14 - 24mm	Ø=18mm	Ø=24mm	55mm	50 gr.	7165 001

DESCRIPTION

	Cable diam.	Pressure ring hole	Weight brass	Weight Al.	Part No. brass	Part No. Al.
Pressure ring 1/2"	8 - 12mm	14mm	1 gr.	0,7 gr.	5079 9001	5079 9002
Pressure ring 3/4"	10 - 16mm	16mm	2 gr.	1 gr.	5079 9003	5079 9004
Pressure ring 1"	19 - 24mm	24mm	2 gr.	1 gr.	5079 9005	5079 9006
Pressure ring 1"	14 - 19mm	19mm	3 gr.	1 gr.	5079 0033	

DESCRIPTION

	Pressure ring hole	Weight	Part No.
Grommet 1/2"	7mm	2 gr.	5002 0002
Grommet 3/4"	11mm	4 gr.	5002 0003
Grommet 1"	18mm	6 gr.	5002 0004



R. Stahl Tranberg AS

E info@stahl-tranberg.com | stahl-tranberg.com

Main office: Strandsvingen 6 | N-4032 Stavanger | Norway | T +47 51 57 89 00 | F +47 51 57 89 50

Office Oslo: Luhrtoppen 2 | N-1470 Lørenskog | Norway | T +47 24 08 44 10