

TRANBERG® COMMANDER SERIES

TEF 4900 Navigation Light System Fused Flasher Module with Current Detection

Safe Area



Designed for switching and flashing of signal lights. Status of light is monitored by a built-in current detector. Delivered for 115/230V lamps.

Features and benefits

- DIN rail mounting.
- 2-pole switching. Both poles fused.
- Zero-cross switching
- Built-in current detection to determine if output circuits are OK or not.
- Lamp circuit galvanic isolated from control circuit.
- Connections for main and emergency supply to output circuit.
- Built-in snubber network which allows termination of a wide range of communication cable, 100-250ohm characteristic impedance. End resistors shall not be used.
- Current detection can be disabled if a particular system does not require this feature. This may be done in software configuration or as a direct setting on the module
- The module may also be set locally to manually adjust the output voltage.

Approvals and certificates

DNV Type Approval

CE-marking



Technical Data

Operating temperature:	+5° to +70°C
Enclosure protection:	IP20
Dimensions:	120x120x80mm
Weight:	0,42 kg
Control circuit	
Supply voltage:	18-32V DC
Communication:	RS-485. Cable impedance 100-250ohm. End resistors shall not be used.
Power consumption:	Max 0.2A @ 24V DC
Outputs	
Supply voltage:	110-240V AC 50/60 Hz +/- 10%
Load:	Filament lamps or resistive loads.
Max. load:	60W
Fuses:	2.5A F, 5x20mm Ceramic

TRANBERG STAHL

THE STRONGEST LINK.

R. STAHL TRANBERG AS

Main office | Strandsvingen 6 | N-4032 Stavanger, Norway | T +47 51 57 89 00 | E info.no-st@r-stahl.com | stahl-tranberg.com
Oslo office | Luhltoppen 2 | N-1470 Lørenskog, Norway | T +47 24 08 44 10 | E info.no-os@r-stahl.com | stahl-tranberg.com

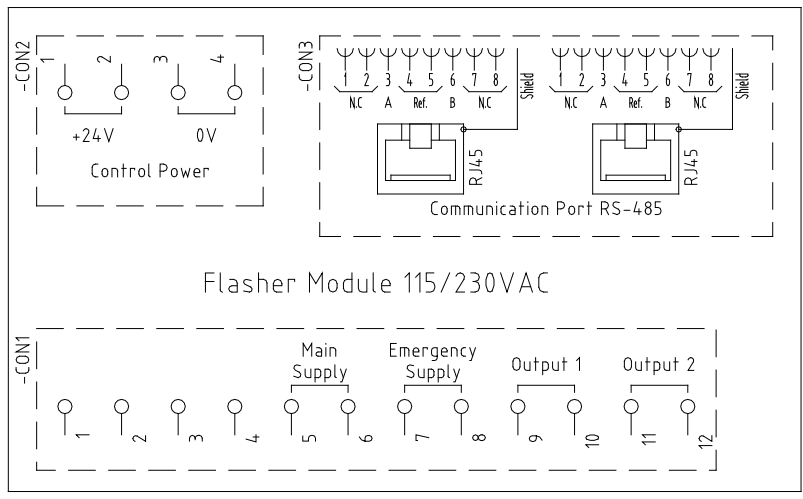
TRANBERG® COMMANDER SERIES

TEF 4900 Navigation Light System Fused Flasher Module with Current Detection

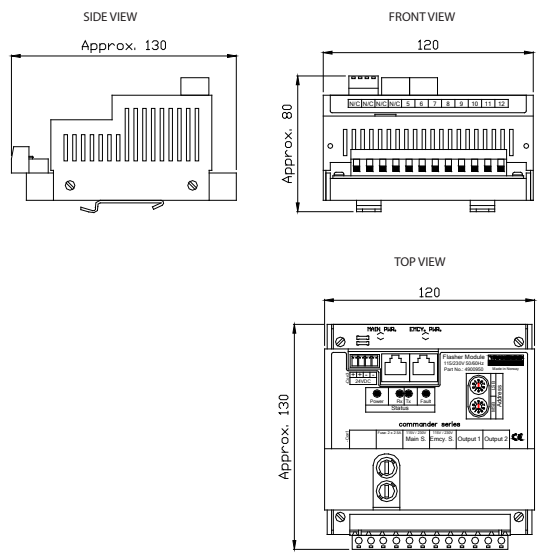
Safe Area

Description	Part No.
Flasher Module	4900950

Electrical Schematics



Dimensions



R. STAHL TRANBERG AS

Main office | Strandsvingen 6 | N-4032 Stavanger, Norway | T +47 51 57 89 00 | E info.no-st@r-stahl.com | stahl-tranberg.com

Oslo office | Luhrtoppen 2 | N-1470 Lørenskog, Norway | T +47 24 08 44 10 | E info.no-os@r-stahl.com | stahl-tranberg.com