

TRANBERG® COMMANDER

TEF 4900 Commander Navigation Light System Central Processing Unit

Safe Area



Designed for controlling Tranberg's Commander Series. Each CPU is configured at the factory for each individual system.

Features and benefits

- DIN rail mounting.
- Supplies control power to the modules in the commander system.
- Monitoring of up to 4 power supplies, 24VDC.
- Potential free general alarm output, 1C/O contact.
- Alarm silence digital input, 24VDC.
- Alarm silence output, 1C/O potential free contact. Used to silence alarm at external alarm central.
- Galvanic isolated communication port for alarm handling connection to Voyage Data Recorder (VDR) or SCADA interface.
- Built-in snubber network which allows termination of a wide range of communication cable, 100-250ohm characteristic impedance. End resistors shall not be used.

Approvals and certificates

DNV Type Approval

CE-marking

In compliance with IEC62923*



Technical Data

Operating temperature:	-5° to +70°C
Ingress protection:	IP 20
Dimensions:	120x120x80mm
Weight:	0.35 kg
Supply voltage:	18-32 V DC. Connections for up to 4 power supplies.
Communication:	RS-485. Cable impedance 100-250ohm. End resistors shall not be used.
Power consumption:	Max. 0.1A @ 24 V DC
General Alarm Output:	1C/O contact, max. 250V / 2A
Alarm silence Output:	1C/O contact, max. 250V / 2A
Alarm handling, VDR/SCADA interface:	RS-422. Galvanic isolated.

* Legacy part nos. are not in compliance with the latest standards, but are available as spare parts for older systems.

TRANBERG STAHL

THE STRONGEST LINK.

R. STAHL TRANBERG AS

Main office | Strandsvingen 6 | N-4032 Stavanger, Norway | T +47 51 57 89 00 | E info.no-st@r-stahl.com | stahl-tranberg.com
Oslo office | Lührtoppen 2 | N-1470 Lørenskog, Norway | T +47 24 08 44 10 | E info.no-os@r-stahl.com | stahl-tranberg.com

TRANBERG® COMMANDER

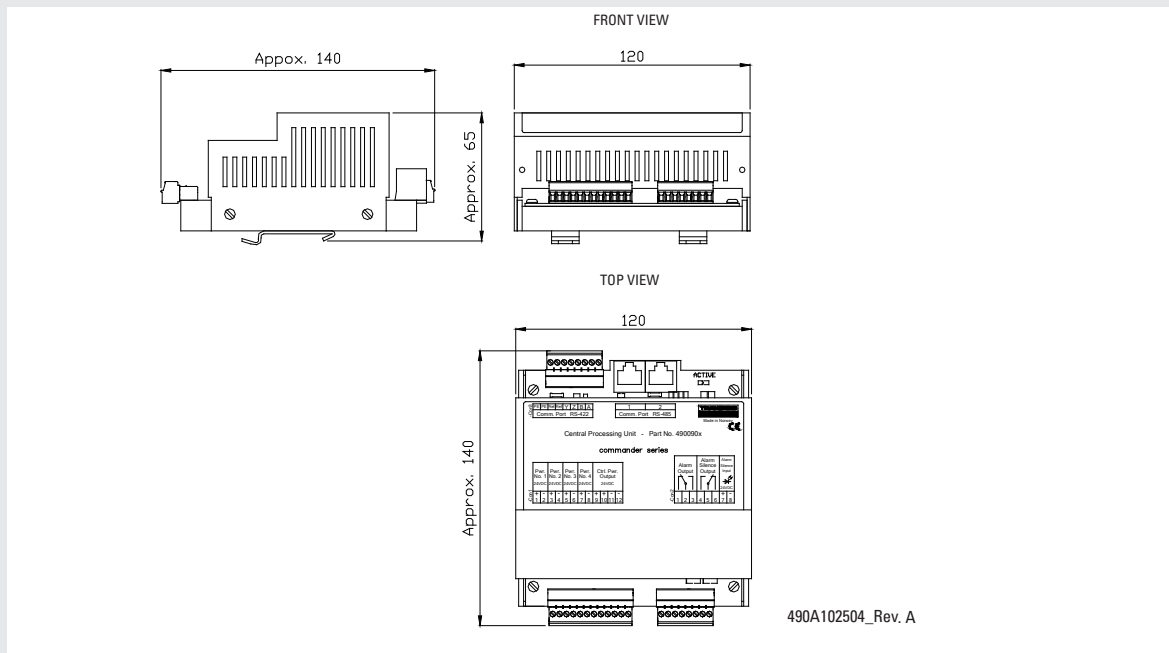
TEF 4900 Commander Navigation Light System Central Processing Unit

Safe Area

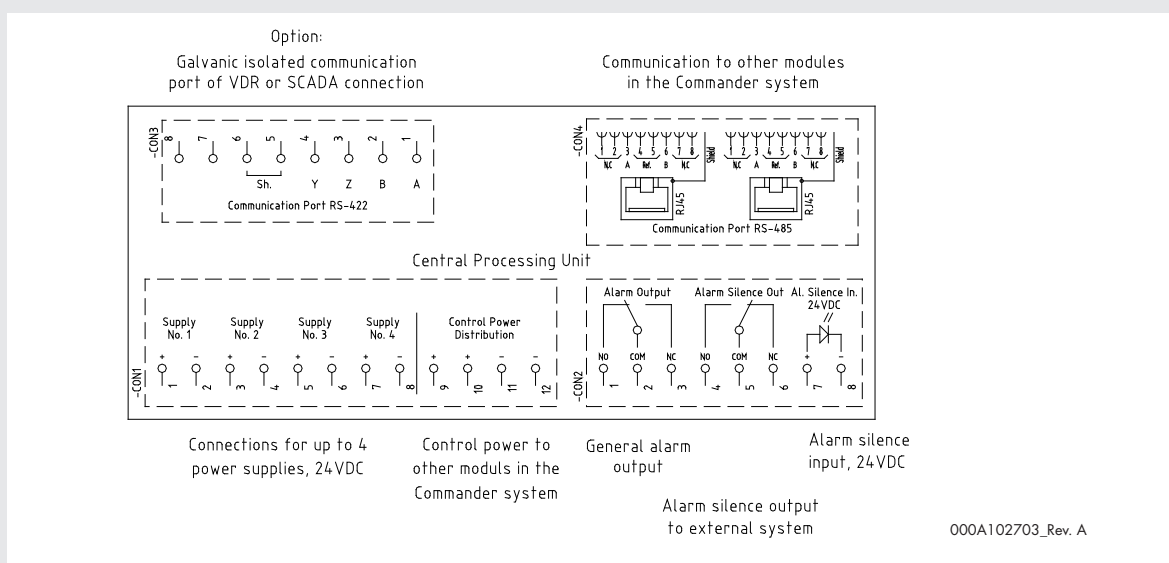
Description	Part No.	Legacy part no.*
Control Processing Unit	4900903	4900902

* Only sold as spare parts

Dimensions



Dimensions



R. STAHL TRANBERG AS

Main office | Strandsvingen 6 | N-4032 Stavanger, Norway | T +47 51 57 89 00 | E info.no-st@r-stahl.com | stahl-tranberg.com

Oslo office | Lührtoppen 2 | N-1470 Lørenskog, Norway | T +47 24 08 44 10 | E info.no-os@r-stahl.com | stahl-tranberg.com