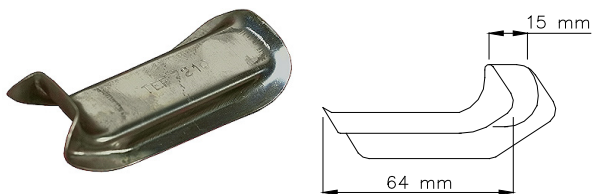


TRACE HEATING/DE-ICE EQUIPMENT

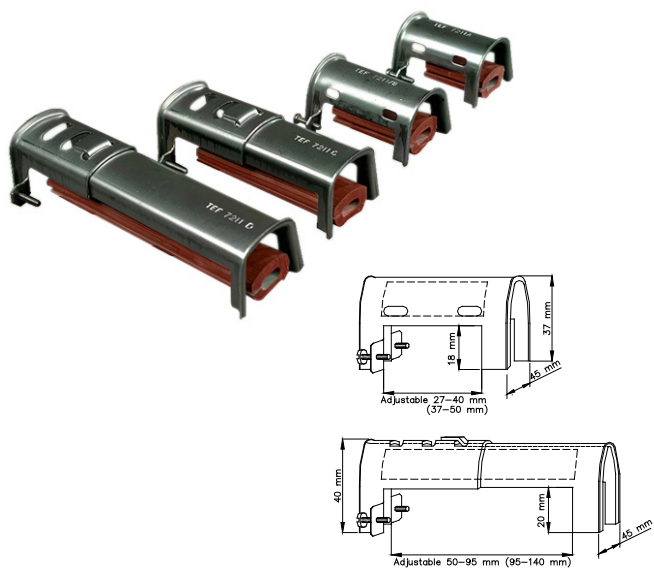
Subject to change without prior notice TPS2440 REV. D 06.04.2018



720A8272

DESCRIPTION

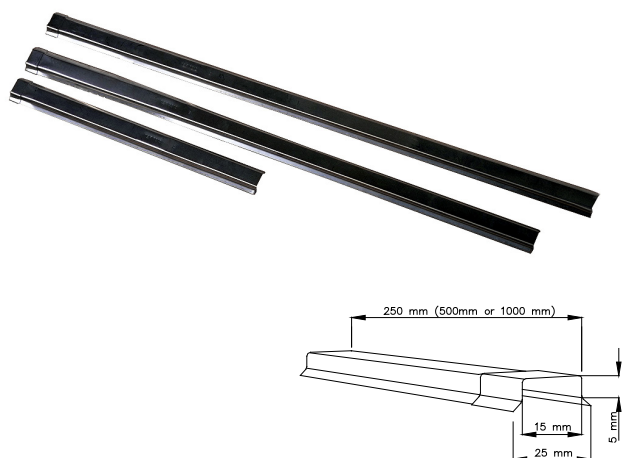
Type	Part No.
Cladding protector	7210 002



720A8273

DESCRIPTION

Type	Part No.
TEF 7211 A Flange crossing protection kit. Acid resistant stainless steel with rubber 27-40 mm	7211 003
TEF 7211 B Flange crossing protection kit. Acid resistant stainless steel with rubber 37-50 mm	7211 004
TEF 7211 C Flange crossing protection kit. Acid resistant stainless steel with rubber 50-95 mm	7211 005
TEF 7211 D Flange crossing protection kit. Acid resistant stainless steel with rubber 95-140 mm	7211 006

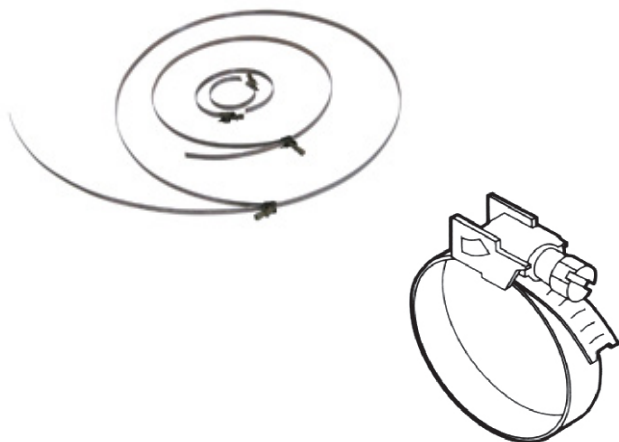


720A8274

DESCRIPTION

Type	Part No.
TEF 7212 A Heater protection rail Acid resistant stainless steel 0,25 meter	7212 004
TEF 7212 B Heater protection rail Acid resistant stainless steel 0,50 meter	7212 005
TEF 7212 C Heater protection rail Acid resistant stainless steel 1 meter	7212 006

770A8248



DESCRIPTION

Type	Part No.
Pipe strap, stainless steel Pipe outer diameter 20-47 mm	7000 023
Pipe strap, stainless steel Pipe outer diameter 40-90 mm	7000 024
Pipe strap, stainless steel Pipe outer diameter 60-288 mm	7000 025
Pipe strap, stainless steel Pipe outer diameter 50-540 mm	7000 026

DESCRIPTION



Type	Part No.
Recommended for stainless steel pipes:	
Fixing tape GS-54, Temp. below 5°C/Max. 260°, length 16m	7000022
Recommended for other pipes:	
Fixing tape GT-66, Temp.: Min. 5°C/Max. 130°C, length 20 m	7000021

DESCRIPTION



Type	Part No.
ATE-180 Aluminium tape for temperatures from -54°C up to 149°C, 55 meters per roll, 63,5 mm width	7000067