

Bell and Gong

Electromechanical Bell and Gong for use aboard vessels at anchor or aground in restricted visibility



Bell type KB 30



Gong type KG 50

General Information

According to the International Regulations for Preventing Collisions at Sea 1972, Rule 33, vessels of 20m in length or more shall be equipped with a bell, and vessels of 100m or more shall, in addition, be provided with a gong. The Bell KB 30 and Gong KG 50 units with electromagnetic strikers are especially developed to meet these regulations.

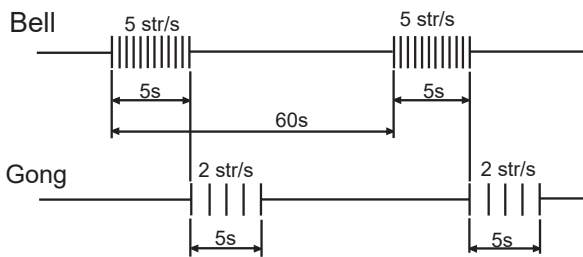
Clear and well-sounding tones are obtained by the choice of heavy bronze for the bell and gong pieces. Other vital parts are of stainless steel.

For emitting the prescribed signal characters, the bell and gong units are controlled by an electronic timer for panel mounting. The timer has 1 selector switch, 4 indicating LED lights and 2 manual pushbuttons.

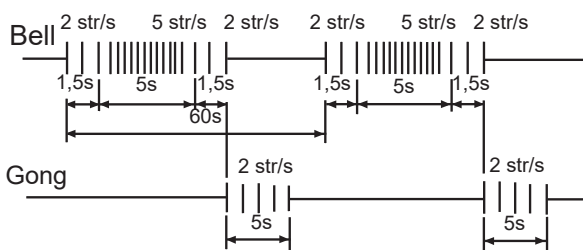
Owing to powerful strokes, the stand structures must be well fixed horizontal by means of four M10 bolts. Cabinet doors must be locked during signalling.



Electronic Timer TI 66



Repeating signal characters for ship at anchor

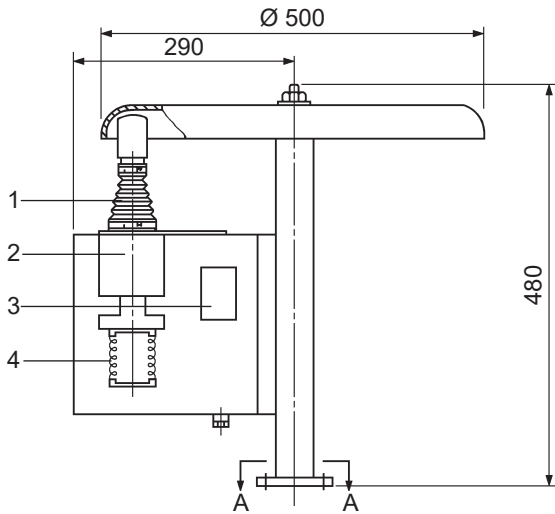


Repeating signal characters for ship aground

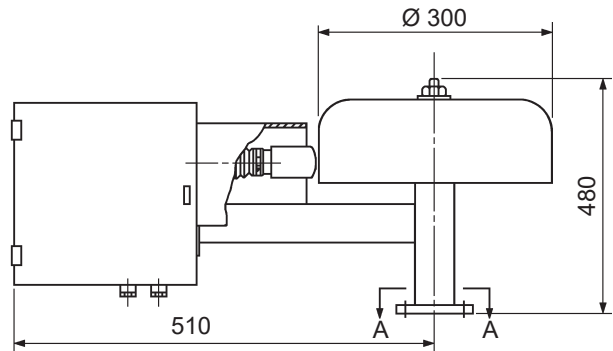
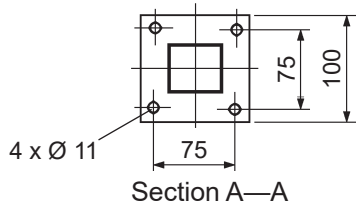
Technical Data

Bell and Gong	
Power consumption:	5A at 230V AC or 10A at 115V AC
Starting current factor Is/I =	6.
Heating element:	25W
Sound Pressure Level (min.):	110 dB at 1m
Bell unit KB 30	
Dimensions:	310 x 660 x Ø 300mm
Weight:	34 kg
Gong unit KG 50	
Dimensions:	480 x 530 x Ø 500mm
Weight:	24 kg
Material:	Bronze, stainless steel and plastic coated zincified steel
Electronic timer TI 66	
Dimensions:	136 x 65 x 55mm (H x W x D)
Hole for panel mounting:	68 x 138mm
Mains:	115/230V AC (50/60Hz)
Power consumption max:	4 W
Operating ambient temp:	0 °C...+50 °C

Units, Dimensions and Wiring Diagram



Gong type KG 50



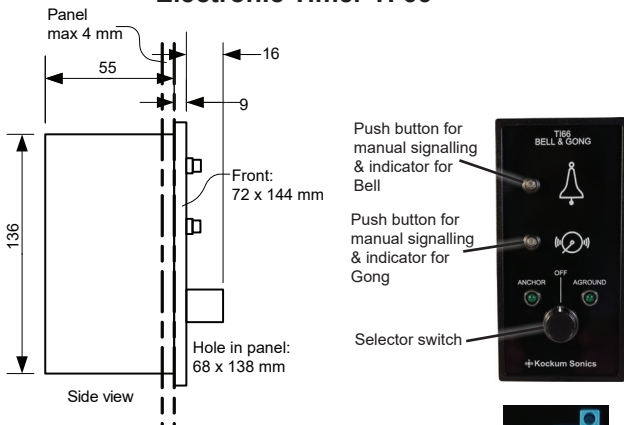
Bell type KB 30

Parts

No.	Part name	Material	Ref. No.
	Bell KB 30 230V 50 Hz		24530050
	Bell KB 30 230V 60 Hz		24530051
	Gong KG 50 230V 50 Hz		24530060
	Gong KG 50 230V 60 Hz		24530061
	Timer TI 66		24580033
	Spare parts: Bell and Gong		
1	Protection bellow	Nitrile	21772159
2	Solenoid coil 230V 50 Hz		20400130
	Solenoid coil 230V 60 Hz		20400131
	Solenoid coil 115V 50 Hz		20400132
	Solenoid coil 115V 60 Hz		20400133
3	Contactors 230V 50/60 Hz		20431005
	Contactors 115V 50/60 Hz		20431007
4	Draw spring	Stainl. steel	20881032
5	Thermostat		36181148
6	Heating Element 230 V		20320029
	Heating Element 115 V		20320033

Parts can be obtained from Kockumation or their agents. When ordering, please give reference number and part name.

Electronic Timer TI 66

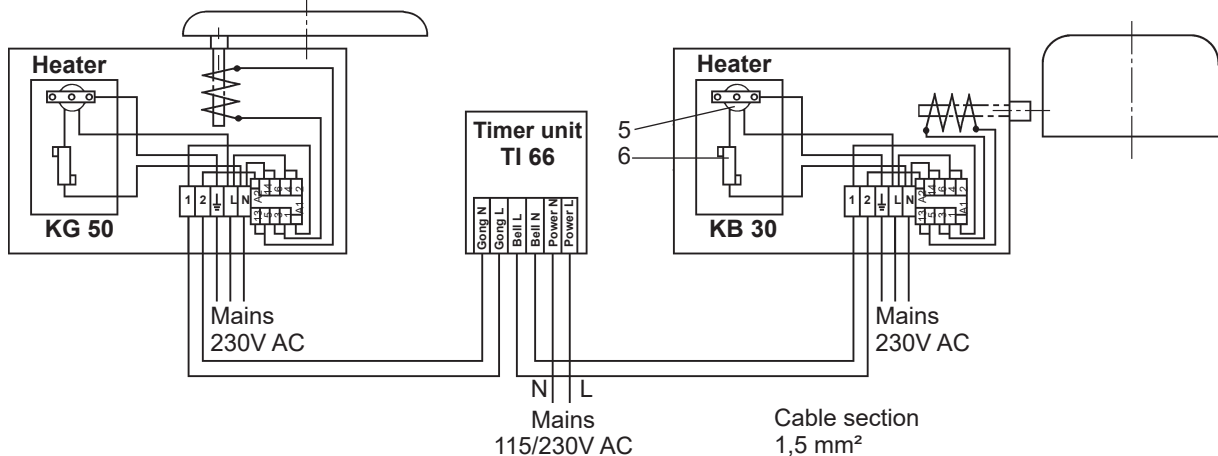


Connection terminal at rear side. Max cable size 2.5mm²



Gong (aft)

Bell (fore)



Wiring diagram