

# TRANBERG® CONTROL PANEL

TEF 2618 Radio Control Unit for Commander Searchlights

Safe Area



TEF 2618 Radio Control Unit for Commander Searchlights consists of a small cabinet to connect to the searchlights network, and a handheld radio panel. The radio panel has a watertight robust design and is delivered with a carrying strap and a charger.

It has a range of 500m (at optimal conditions), and can control up to eight different searchlights.

## Application

- Radio control for Tranberg Network Operated Searchlight System.

## Features and benefits

- Robust
- Can control up to eight different searchlights
- Integrated battery indicator
- Up to 10 individual PIN codes can be programmed on each transmitter
- Can easy set, or change frequency within 69 different channels



## Approvals and certificates

Confirm to relevant EC Directives and European Norms for radio equipment.

## Technical Data

Battery handheld panel:	Internal rechargeable battery, app. 30h continuous use
Radio:	PLL Synthesizer
Frequencies:	69 different frequencies, 433.075-434.775 MHz
IP handheld panel:	IP54
Dim handheld panel:	160x70x35mm
Dim enclosure single radio:	400x400x200mm
Dim enclosure dual radio:	600x800x300mm
Receiver:	860RX

TRANBERG STAHL

THE STRONGEST LINK.

## R. STAHL TRANBERG AS

Main office | Strandsvingen 6 | N-4032 Stavanger, Norway | T +47 51 57 89 00 | E info.no-st@r-stahl.com | stahl-tranberg.com  
Oslo office | Lohrtoppen 2 | N-1470 Lørenskog, Norway | T +47 24 08 44 10 | E info.no-os@r-stahl.com | stahl-tranberg.com

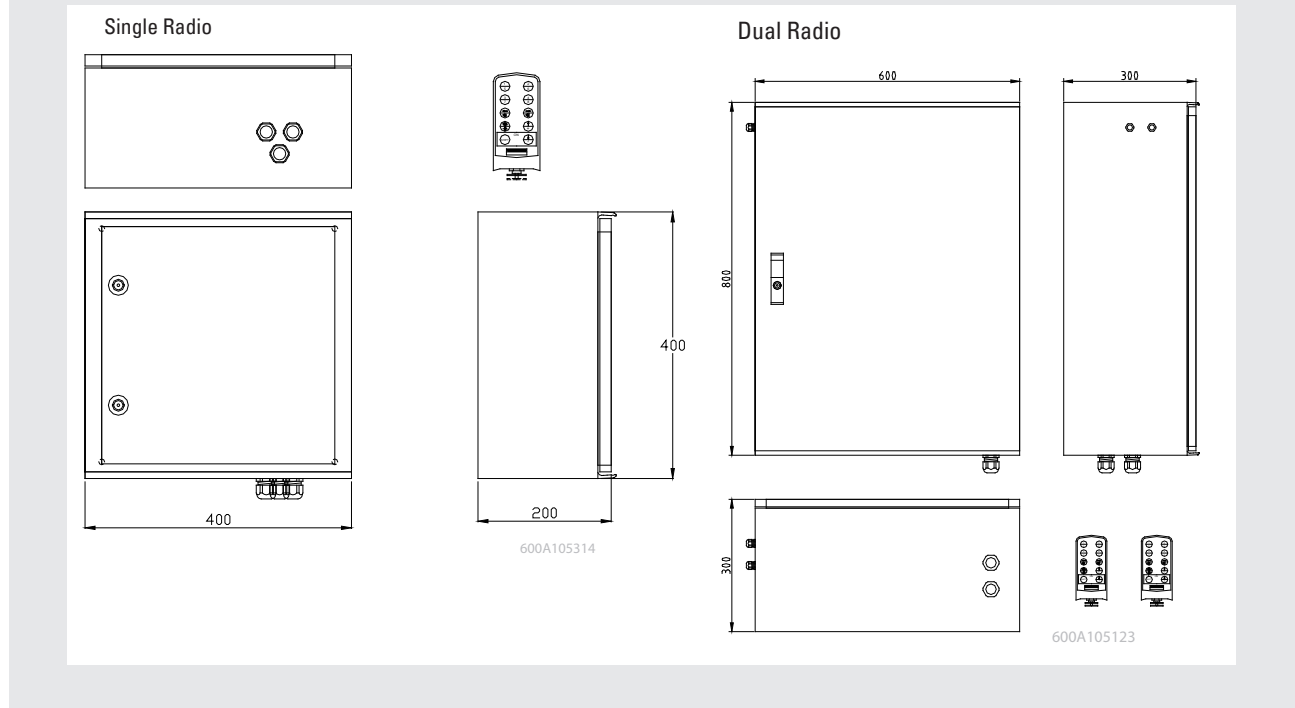
# TRANBERG® CONTROL PANEL

TEF 2618 Radio Control Unit for Commander Searchlights

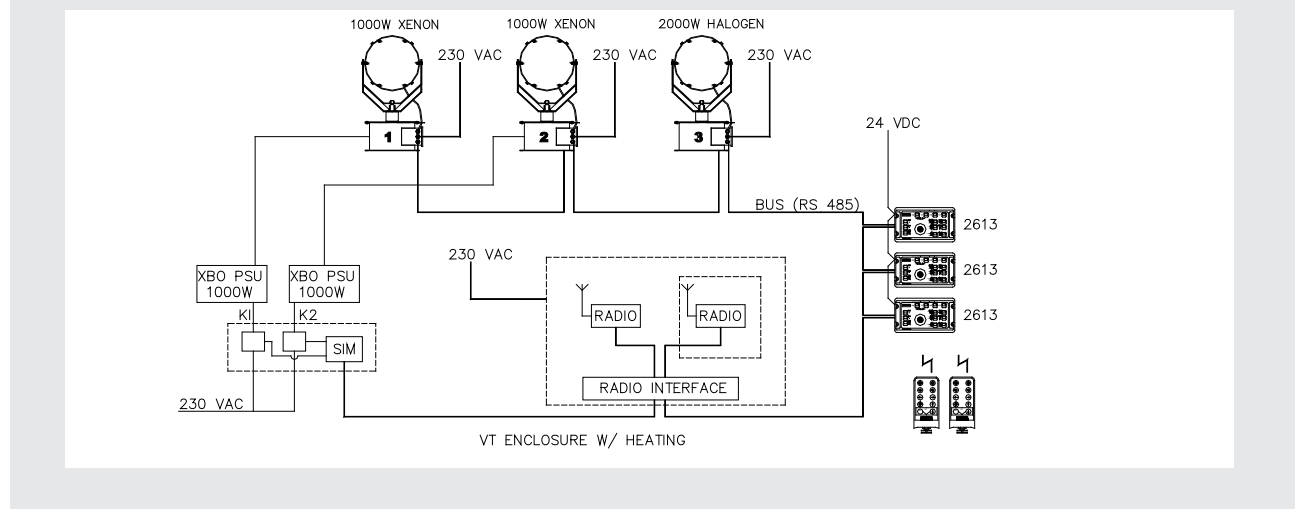
Safe Area

Description	Part No.
Radio Control Unit for Commander Searchlight TEF 2650. Single Channel, 1 Remote Control	2618100000
Radio Control Unit for Commander Searchlight TEF 2650. Dual Channel, 2 Remote Controls	2618100001

## Dimensions



## Dimensions



R. STAHL TRANBERG AS

Main office | Strandsvingen 6 | N-4032 Stavanger, Norway | T +47 51 57 89 00 | E info.no-st@r-stahl.com | stahl-tranberg.com

Oslo office | Luhrtoppen 2 | N-1470 Lørenskog, Norway | T +47 24 08 44 10 | E info.no-os@r-stahl.com | stahl-tranberg.com