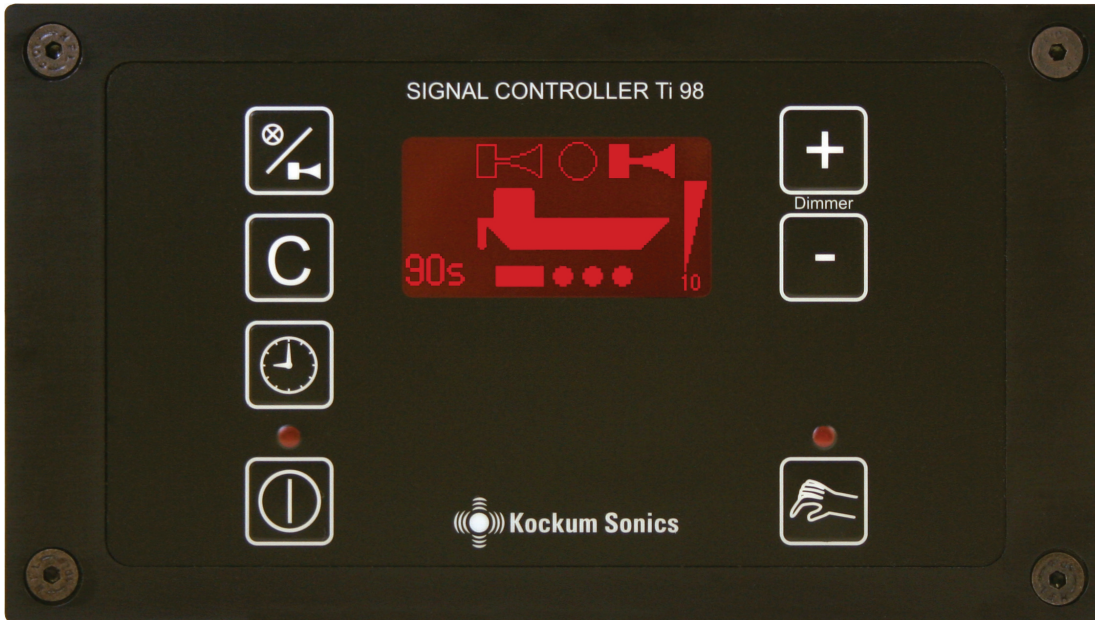


# Signal Controller Ti98, Ref.no. 245.80.312



Front panel

## General

Signal Controller Ti98 is a signal controller for both whistle and morse light. It is a robust, simple to use and inexpensive unit which can be installed in all types of vessels.

Features:

- Panel made of membrane key technology
- LCD matrix display that shows all necessary information
- All illumination on the panel has red light and the brightness can be adjusted with dimmer buttons
- "Whistle activated" output
- General Emergency Alarm input
- Input for external manual push button that activates the output(s) chosen on the panel
- Separate mains for whistle and morse light/lantern
- Possibility to enable/disable characters to be used in automatic mode
- All signalling can be made automatic or by hand manoeuvre

Fulfils following standards:

EN60945 ,CISPR 16-2-1, CISPR 16-2-3, CISPR 16-4-2  
 EN61000-4-2, EN61000-4-3, EN61000-4-4, EN61000-4-6  
 EN61000-4-11

## Technical Data

Voltage supply:	24V DC (18-31,2V DC)
Power consumption:	3 W
Relay contacts:	Max. voltage: 250V Max. current: 6A
Dimensions:	206 x 116 x 40 (L x H x D)
Weight:	0.6 kg
Cable area:	0,2 - 2.5 mm <sup>2</sup>
Max cable diameter:	14 mm (for optional enclosure)
Colour:	Black RAL9005
Protection class:	IP55 (on front), IP20 (on rear side)
Operating ambient temp:	0 °C ... +50 °C

## Sound and Morse Light signalling

Default characters:

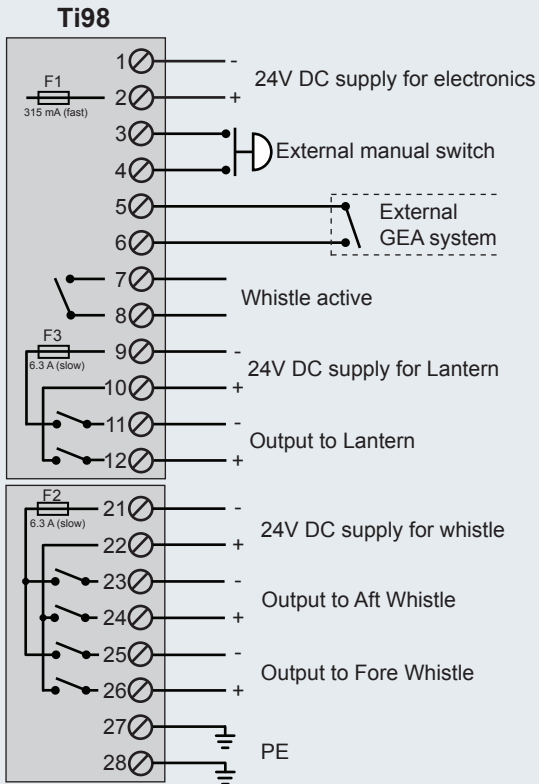
■	"Making way through the water"
■ ■ ■	"Making no way through the water"
● ■ ■ ■	"Vessel at anchor"
■ ■ ■ ●	"Vessel not under command"
■ ■ ■ ● ●	"Towed vessel"

Optional characters (can be enabled on the unit):

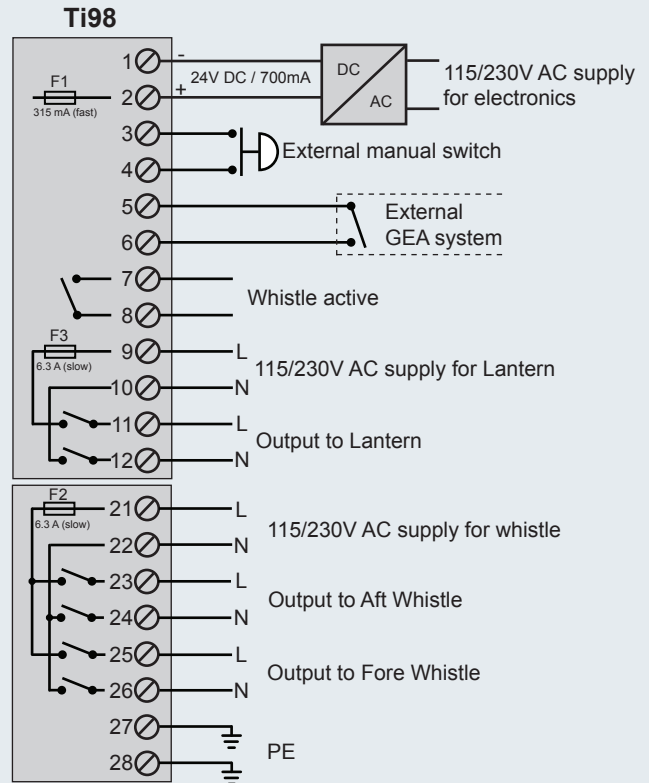
■ ■ ■ ■	"Keep clear (inland)"
● ● ■ ■ ■	"Vessel aground"
●	"I am altering my course to starboard"
● ●	"I am altering my course to port"
● ● ●	"I am operating astern propulsion"

# Example of electric connection diagrams for most common applications

Ti98 connected to 24V DC supply

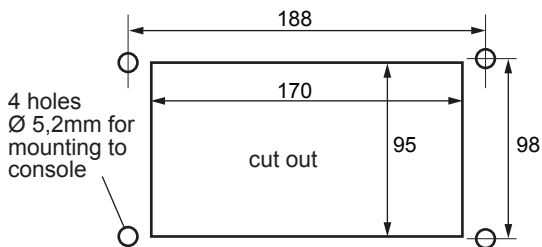


Ti98 connected to 115/230 AC supply

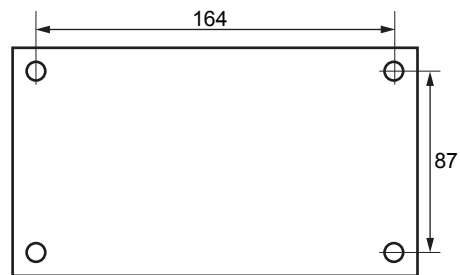


## Mechanical mounting

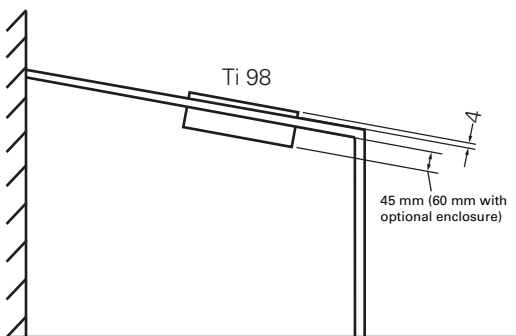
Panel mounting



Bulkhead mounting - Rear view



Note! Extra enclosure for bulkhead mounting and protection as an option. Must be ordered separately. Ref no: 217.76.066



(all units in mm)