

TRANBERG® Searchlight

TEF 2650 Commander Xenon 1000W/1600W, Network Operated

Safe Area



R. Stahl Tranberg's searchlights are all designed for rough environments.

It is the policy of R. Stahl Tranberg to provide products and services that meet the highest standards of quality in the industry.

Our aim is to fulfill the expectations of our customers. This requires that all products perform reliably, efficiently and in a manner that assures persisting market competitiveness.

Application

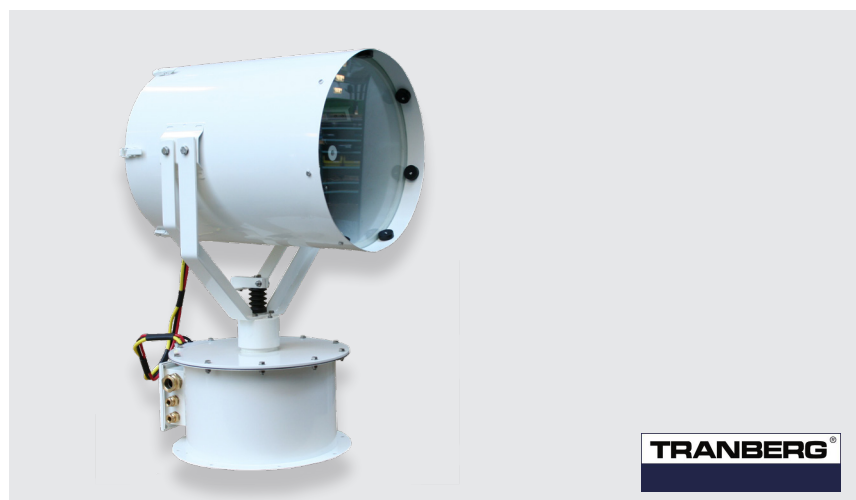
- The Xenon searchlight is suitable for all type of vessels.
- Dimensions and lamp power depends on type of ship and area of application.

Features and benefits

- Applicable to sub-zero temperatures of -50°C (-58°F).
- Self regulating anti-condensation heater in drum.
- Xenon "Ice Searchlight" can through a unique color distribution rapidly detect ice and illuminate surface objects.
- Its unique long beam range makes it in many areas of application a better choice than halogen.
- Electromagnetic compability (EMC).
- Remote controlled motorfocus.
- Self-regulating heating in motorhouse.
- May be operated from 1-16 control panels.

Options

- TEF 2650 Interface Module
- Spread filter
- Pedestal
- Additional control panels
- Canvas cover
- Radio control system



Technical Data

Control panel:	TEF 2613
Material:	Stainless steel, Toughened soda lime glass, silverplated glass.
Finish:	All white surface powder coated (RAL 9010) to 70-80uM.
Input voltage:	230 V AC, 202-254V AC
Line input current max.:	3A
Standard cable gland:	2 pcs. E204/622 M20/C2/9mm (Ø6,0-10,0mm) Brass, 1 pc. E204/622 M32/E1/9mm (Ø20,0-26,5mm) Brass
Ingress protection:	IP56 (DIN40050)
Operating temperature:	-50°C up to +50°C
Lamp lifetime:	Approx. 2000 h
Weight searchlight:	1000W: 58 kg, 1600W: 58 kg
Weight pedestal:	14,5 kg
Weight power supply:	HBX 1000: Approx. 16,5 kg, HBX 1600: Approx. 18,5 kg

TRANBERG STAHL

THE STRONGEST LINK.

R. STAHL TRANBERG AS

Main office | Strandsvingen 6 | N-4032 Stavanger, Norway | T +47 51 57 89 00 | E info.no-st@r-stahl.com | stahl-tranberg.com
Oslo office | Lührtoppen 2 | N-1470 Lørenskog, Norway | T +47 24 08 44 10 | E info.no-os@r-stahl.com | stahl-tranberg.com

TRANBERG® Searchlight

TEF 2650 Commander Xenon 1000W/1600W, Network Operated

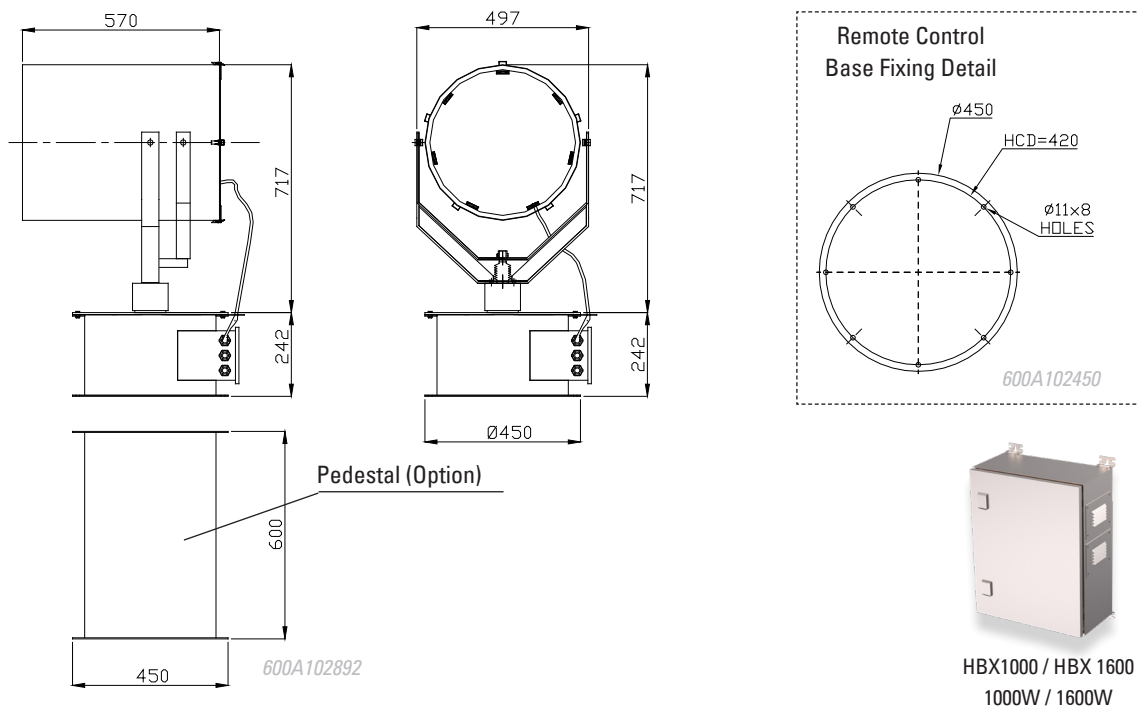
Safe Area

Optical

Mirror size	Watt	Volt	Peak Beam Candle Power	Range M 1 lux at target	Lux/ Ø at 250m (Divergence 3°)	Divergence	Pan°	Tilt°	Part no.
355mm (14")	1000	* 230	40x10 ⁶	6700	718 lux/ Ø13m	2° - 7°	370	+20 -30	2650323450
Xenon	1600	* 230	52x10 ⁶	7400	876 lux/ Ø13m	3° - 8°	370	+20 -30	2650324450

Optical Performance: All data shown above is theoretical and calculated to IES Formulae, *Other Voltage on request.

Dimensions



HBX1000 / HBX 1600
1000W / 1600W

Power supply

	Length	Width	Height	Weight	Part No
HBX 1000W, Electronic	400 mm	210 mm	500 mm	Approx. 16,5 kg	5219
HBX 1600W, Electronic	400 mm	210 mm	500 mm	Approx. 18,5 kg	5220



R. STAHL TRANBERG AS

Main office | Strandsvingen 6 | N-4032 Stavanger, Norway | T +47 51 57 89 00 | E info.no-st@r-stahl.com | stahl-tranberg.com

Oslo office | Lührtoppen 2 | N-1470 Lørenskog, Norway | T +47 24 08 44 10 | E info.no-os@r-stahl.com | stahl-tranberg.com