

Bering

363
364

Locking-type Socket and Plug

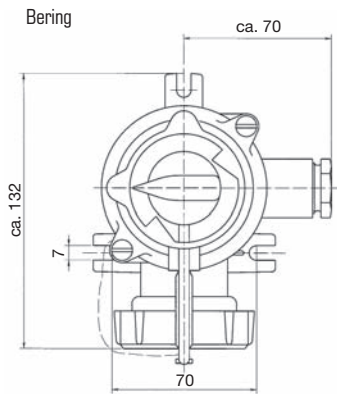
karl-dose.de/**Bering**



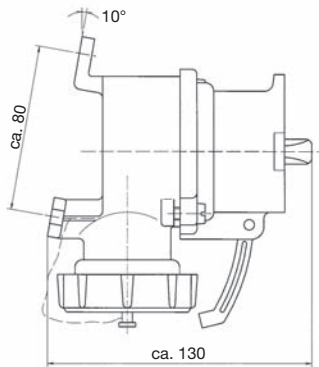
Bering



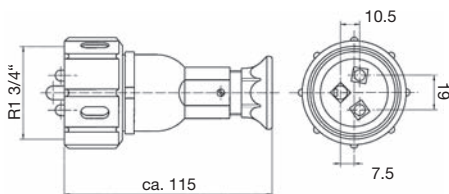
Bering



Bering



Bering



Technical Data

Name & No.	Diagram	Pole	kg	Description
				•
				•
				•
				•
Bering 363/L	-O	2P+PE	1,58	• lockable socket
Bering 363/R	O-	2P+PE	1,58	• IP56
Bering 363/D	-O-	2P+PE	1,63	• brass casing, cover and screw cap
Bering 363/2/L	=O	2P+PE	1,72	• cable gland: M24x1.5
Bering 363/2/R	O=	2P+PE	1,72	• 2-pole rotary-switch cut-out type, steatite socket interior acc. to DIN 89320 with mechanical blocking mechanism. Brass casing, cover and screw cap, undetachable cover screws M6
Bering 364		2P+PE	0,55	• 16A AC/DC
				• design 2 (max. 250V)
				• lockable plug
				• IP56
				• brass casing
				• 16A AC/10A DC
				• design 2 (max. 250V)

Polished products available for an extra charge.

Also available with brass screw cap supplement charge.

