

JUNCTION BOX TEF 2079 WATERTIGHT SAFE AREA

Subject to change without prior notice TPS3335 REV. B 30.06.2017



TEF2079 is a classic which has been on the market for several years. Thousands are in use on vessels worldwide. Classic design and good quality makes it first choice when it comes to junction boxes for use in harsh environments.

APPLICATION

- For use in harsh environments and adverse weather conditions
- For use in safe areas

FEATURES AND BENEFITS

- Solid brass
- Watertight IP56
- Easy mounting
- Extremely low lifecycle cost

TECHNICAL DATA

Material:	Brass
Ambient temperature:	-30°C to +45°C
Ingress protection:	IP56
Max. voltage:	500V
Max. current:	16A
Terminals:	4 pole, multi-wire screw terminals. Max. 2.5mm ²
Earth terminal:	1 x M5 screw.
Cable entries:	4 x M25. Equipped with: 2x Stopping plugs 2x Cable glands
Cable dimension:	Ø 7.5 to 18 mm
For use in Zone:	Safe area / Marine

APPROVALS AND CERTIFICATES

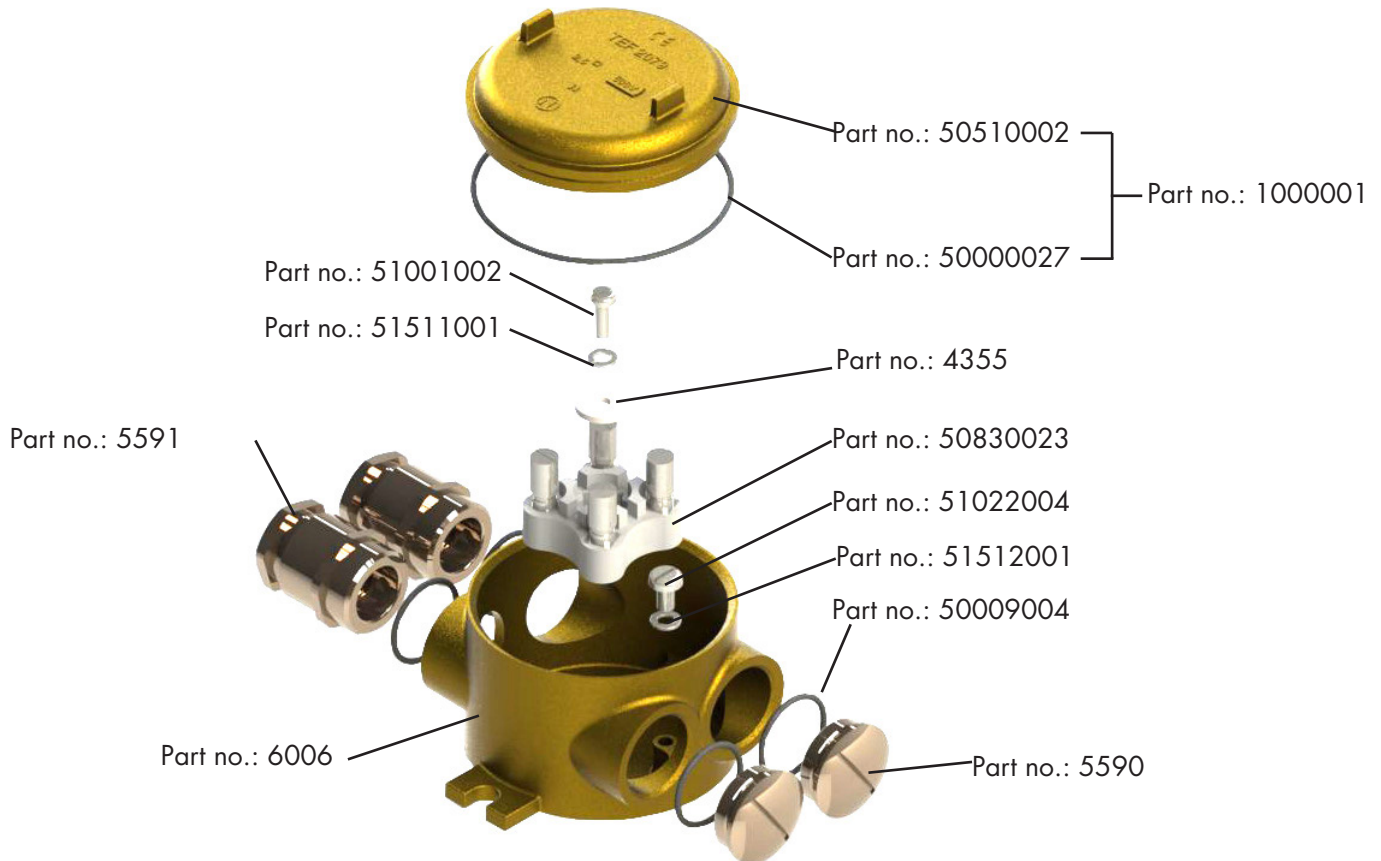
N/A

TEF 2079 JUNCTION BOX WATERTIGHT

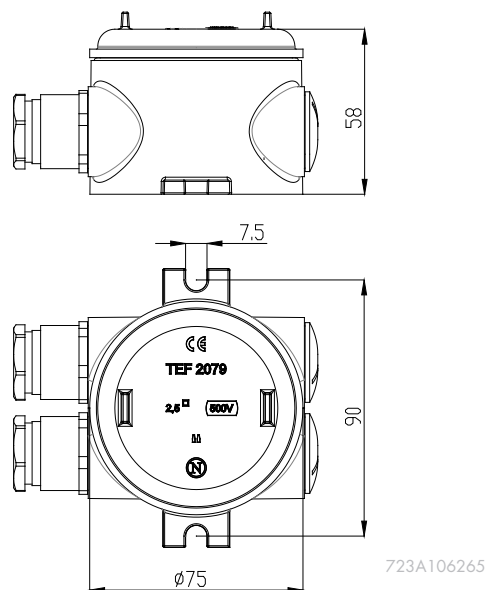
DESCRIPTION

	Weight	Part No.
Junction box	.	2079 200

SPARE PARTS



DIMENSIONS



R. Stahl Tranberg AS
 E info@stahl-tranberg.com | stahl-tranberg.com
 Main office: Strandsvingen 6 | N-4032 Stavanger | Norway | T +47 51 57 89 00 | F +47 51 57 89 50
 Office Oslo: Luhrtoppen 2 | N-1470 Lørenskog | Norway | T +47 24 08 44 10