

TRANBERG® CABLE GLAND

TEF E205-624

Zone 1, Zone 2 & Safe Area



Cable glands are required as a safe passage for a cable into an enclosure. Dependent on the type of enclosure and type of cable, one needs to find the cable gland that cover the requirements.

R. STAHL TRANBERG have a wide variety of cable glands, in various designs, and available in brass or stainless steel (316). This model is certified to both ATEX and IECEx.

Development and manufacturing of this product is done at our factory in Stavanger, Norway.

Application

- Outdoor or indoor for unarmoured cables.
- Sealing on cables outer sheath only.
- Suitable for use in hazardous area, zone 1, zone 2 and safe area.

Features and benefits

- Sealing on cables outer sheath..
- PTFE gasket for sealing between cable gland and box / cabinet.
- Delivered in brass or stainless steel material.

Approvals and certificates

IECEx certificate No.: IECEx NEM 13.0021X
ATEX certificate No.: NEMKO 13 ATEX 1548X

Compliance standards:

Directive 2014/34/EU

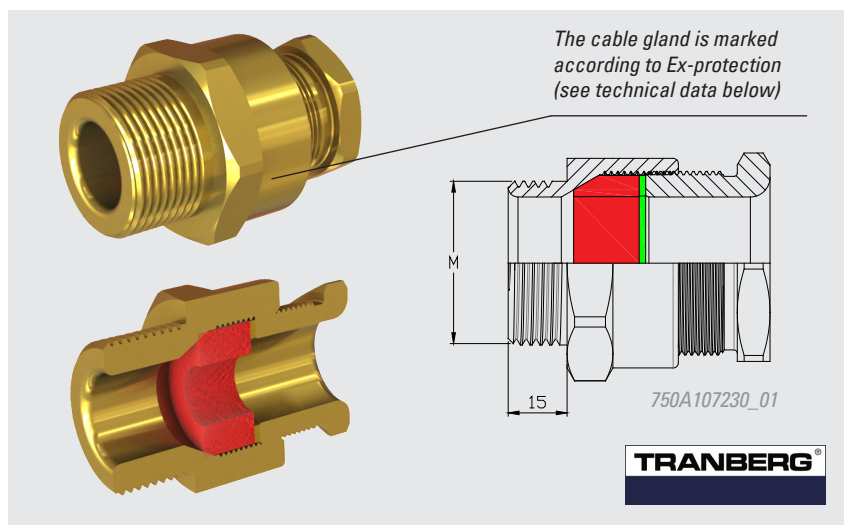
IEC 60079-0-*

IEC 60079-7-*

* Refer to EU Declaration of conformity for more details.

Special conditions for use:

Must be used with PTFE gasket to maintain IP protection. Additional clamping of cable shall be installed to ensure that pulling and twisting is not transmitted to the terminals.



Technical Data

Material cable gland:	Brass or stainless steel, silicone sealing material, PTFE gasket
Material gasket:	Silicone Shore A 60 Red
Material sealing between gland and box:	PTFE gasket (Teflon)
Ingress protection:	IP66/67
Ambient temperature:	-60°C to +135°C
Cable type:	Unarmoured & braided
Sealing technique:	Silicone gasket
Sealing areas:	Cable outer sheath
Ex protection:	Ex II 2 G Ex eb IIC

TRANBERG STAHL

THE STRONGEST LINK.

R. STAHL TRANBERG AS

Main office | Strandsvingen 6 | N-4032 Stavanger, Norway | T +47 51 57 89 00 | E info.no-st@r-stahl.com | stahl-tranberg.com
Oslo office | Luhltoppen 2 | N-1470 Lørenskog, Norway | T +47 24 08 44 10 | E info.no-os@r-stahl.com | stahl-tranberg.com

TRANBERG® CABLE GLAND

TEF E205-624

Zone 1, Zone 2 & Safe Area

Most common cable gland sizes

Entry thread	Sealing code	Clamping range	Entry length	Across flats	Across corners	Part No. Brass	Part No. AISI 316
M16x1.5	B1	5.0-9.1 mm	15 mm	24 mm	26.7 mm	6241611	6241616
M20x1.5	C3	8.5-13.0 mm	15 mm	27 mm	30.2 mm	6242051	6242056
M20x1.5	C1	9.0-14.3 mm	15 mm	27 mm	30.2 mm	6242011	6242016
M25x1.5	D1	15.0-20.1mm	15 mm	32 mm	36 mm	6242511	6242516
M25x1.5	D9	13.0-17.0 mm	15 mm	32 mm	36 mm	6242571	6242576
M32x1.5	E2	18.0-24.0 mm	15 mm	42 mm	47.5 mm	6243231	6243236

Other part numbers

Entry thread	Sealing code	Clamping range	Entry length	Across flats	Across corners	Part No. Brass	Part No. AISI 316
M16x1.5	A1	2.0-6.0 mm	15 mm	24 mm	26.7 mm	6241621	6241626
M16x1.5	B2	4.5-7.5 mm	15 mm	24 mm	26.7 mm	6241631	6241636
M20x1.5	A1	2.0-6.0 mm	15 mm	27 mm	30.2 mm	6242041	6242046
M20x1.5	B2	4.5-7.5 mm	15 mm	27 mm	30.2 mm	6242061	6242066
M20x1.5	B1	5.0-9.1 mm	15 mm	27 mm	30.2 mm	6242031	6242036
M20x1.5	C2	7.0-10.0 mm	15 mm	27 mm	30.2 mm	6242021	6242026
M25x1.5	A1	2.0-6.0 mm	15 mm	32 mm	36 mm	6242561	6242566
M25x1.5	B2	4.5-7.5 mm	15 mm	32 mm	36 mm	6242591	6242596
M25x1.5	B1	5.0-9.1 mm	15 mm	32 mm	36 mm	6242551	6242556
M25x1.5	C2	6.0-10.0 mm	15 mm	32 mm	36 mm	6242541	6242546
M25x1.5	C3	8.5-13.0 mm	15 mm	32 mm	36 mm	6242581	6242586
M25x1.5	D2	11.0-15.0 mm	15 mm	32 mm	36 mm	6242521	6242526
M32x1.5	D1	15.0-20.1 mm	15 mm	42 mm	47.5 mm	6243221	6243226
M32x1.5	E1	22.0-26.5 mm	15 mm	42 mm	47.5 mm	6243211	6243216
M40x1.5	F2	23.0-29.0 mm	15 mm	50 mm	57 mm	6244031	6244036
M40x1.5	F1	26.5-32.4 mm	15 mm	50 mm	57 mm	6244011	6244016
M50x1.5	G2	29.0-35.0 mm	15 mm	65 mm	74 mm	6245041	6245046
M50x1.5	G1	32.0-38.5 mm	15 mm	65 mm	74 mm	6245011	6245016
M50x1.5	H1	35.0-41.0 mm	15 mm	65 mm	74 mm	6245021	6245026
M50x1.5	I2	38.4-43.0 mm	15 mm	65 mm	74 mm	6245051	6245056
M50x1.5	I1	40.0-44.5 mm	15 mm	65 mm	74 mm	6245031	6245036
M63x1.5	J2	42.0-46.0 mm	15 mm	80 mm	90.5 mm	6246331	6246336
M63x1.5	J1	44.0-50.5 mm	15 mm	80 mm	90.5 mm	6246311	6246316
M63x1.5	K2	47.0-53.0 mm	15 mm	80 mm	90.5 mm	6246341	6246346
M63x1.5	K1	50.0-56.5 mm	15 mm	80 mm	90.5 mm	6246321	6246326



R. STAHL TRANBERG AS

Main office | Strandsvingen 6 | N-4032 Stavanger, Norway | T +47 51 57 89 00 | E info.no-st@r-stahl.com | stahl-tranberg.com

Oslo office | Luhrtoppen 2 | N-1470 Lørenskog, Norway | T +47 24 08 44 10 | E info.no-os@r-stahl.com | stahl-tranberg.com

TRANBERG® CABLE GLAND

TEF E205-624

Zone 1, Zone 2 & Safe Area

Other part numbers

Entry thread	Sealing code	Clamping range	Entry length	Across flats	Across corners	Part No. Brass	Part No. AISI 316
M75x1.5	L3	53.0-58.0 mm	15 mm	90 mm	102 mm	6247541	6247546
M75x1.5	L1	55.0-59.0 mm	15 mm	90 mm	102 mm	6247511	6247516
M75x1.5	L4	56.0-62.0 mm	15 mm	90 mm	102 mm	6247551	6247556
M75x1.5	L2	58.0-63.0 mm	15 mm	90 mm	102 mm	6247521	6247526
M75x1.5	M2	60.0-66.0 mm	15 mm	90 mm	102 mm	6247561	6247566
M75x1.5	M1	62.0-68.0 mm	15 mm	90 mm	102 mm	6247531	6247536
M90x1.5	N2	65.0-70.0 mm	15 mm	110 mm	125 mm	6249041	6249046
M90x1.5	N1	68.0-72.0 mm	15 mm	110 mm	125 mm	6249011	6249016
M90x1.5	O3	69.0-75.0 mm	15 mm	110 mm	125 mm	6249051	6249056
M90x1.5	O1	72.0-78.0 mm	15 mm	110 mm	125 mm	6249021	6249026
M90x1.5	O4	75.0-81.0 mm	15 mm	110 mm	125 mm	6249061	6249066
M90x1.5	O2	78.0-83.0 mm	15 mm	110 mm	125 mm	6249031	6249036

PTFE (Teflon) gasket for sealing between cable glands and box / cabinet

Description	Size	Part No.
Gasket PTFE M12	Ø19,0/12,0x2,0	50010029
Gasket PTFE M16	Ø24,0/16,0x2,0	50010030
Gasket PTFE M20	Ø27,0/20,0x2,0	50010031
Gasket PTFE M25	Ø32,0/25,0x2,0	50010032
Gasket PTFE M32	Ø42,0/32,0x2,0	50010033
Gasket PTFE M40	Ø50,0/40,0x2,0	50010034
Gasket PTFE M50	Ø65,0/50,0x2,0	50010035
Gasket PTFE M63	Ø80,0/63,0x2,0	50010036
Gasket PTFE M75	Ø90,0/75,0x2,0	50010037
Gasket PTFE M90	Ø110,0/90,0x2,0	50010038



R. STAHL TRANBERG AS

Main office | Strandsvingen 6 | N-4032 Stavanger, Norway | T +47 51 57 89 00 | E info.no-st@r-stahl.com | stahl-tranberg.com

Oslo office | Luhrtoppen 2 | N-1470 Lørenskog, Norway | T +47 24 08 44 10 | E info.no-os@r-stahl.com | stahl-tranberg.com