

# TRANBERG® CABLE GLAND

TEF E204-622

Zone 1, Zone 2 & Safe Area



Cable glands are required as a safe passage for a cable into an enclosure. Dependent on the type of enclosure and type of cable, one needs to find the cable gland that cover the requirements.

R. STAHL TRANBERG have a wide variety of cable glands, in various designs, and available in brass or stainless steel (316). This model is certified to both ATEX and IECEx.

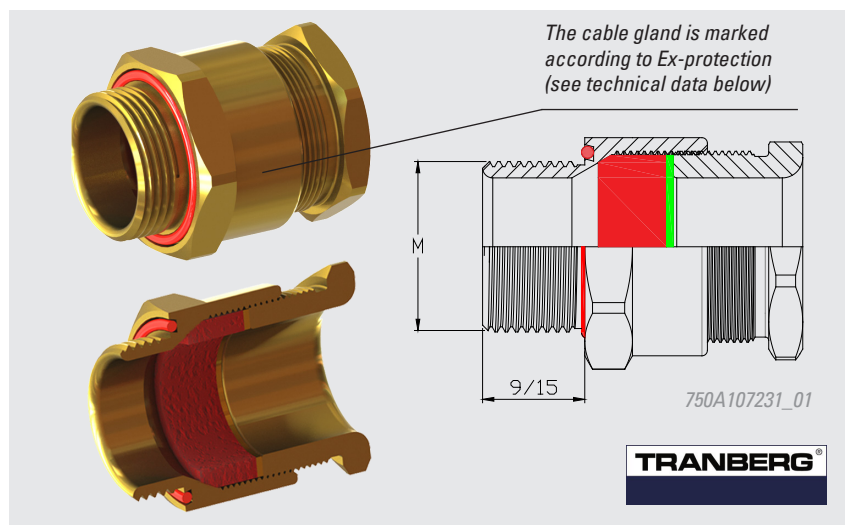
Development and manufacturing of this product is done at our factory in Stavanger, Norway.

## Application

- Outdoor or indoor for unarmored and braided cables.
- Sealing on cables outer sheath only.
- Suitable for use in hazardous area, zone 1, zone 2 and safe area.

## Features and benefits

- Sealing on cables outer sheath only.
- O-ring for sealing between cable gland and box / cabinet.
- 9mm or 15mm entry length.
- Delivered in brass or stainless steel material.



## Approvals and certificates

IECEx certificate No.: IECEx NEM 13.0021X  
ATEX certificate No.: NEMKO 13 ATEX 1548X

### Compliance standards:

Directive 2014/34/EU

IEC 60079-0-\*

IEC 60079-7-\*

\* Refer to EU Declaration of conformity for more details.

### Special conditions for use:

Additional clamping of cable shall be installed to ensure that pulling and twisting is not transmitted to the terminals.

## Technical Data

Material cable gland:	Brass or stainless steel, silicone sealing material, O-ring
Material gasket:	Silicone Shore A 60 Red
Material O-ring:	Silicone Shore A 70 Red
Ingress protection:	IP66/67
Ambient temperature:	-60°C to +135°C
Cable type:	Unarmoured & braided
Sealing technique:	Silicone gasket
Sealing areas:	Cable outer sheath
Ex protection:	Ex II 2 G Ex eb IIC

TRANBERG STAHL

THE STRONGEST LINK.

### R. STAHL TRANBERG AS

Main office | Strandvingen 6 | N-4032 Stavanger, Norway | T +47 51 57 89 00 | E info.no-st@r-stahl.com | stahl-tranberg.com  
Oslo office | Luhltoppen 2 | N-1470 Lørenskog, Norway | T +47 24 08 44 10 | E info.no-os@r-stahl.com | stahl-tranberg.com

# TRANBERG® CABLE GLAND

TEF E204-622

Zone 1, Zone 2 & Safe Area

Entry & length thread	Sealing code	Clamping range	Entry length	Across flats	Across corners	Part No. Brass	Part No. AISI 316
M16x1.5 L threads: 9mm	A1	2.0-6.0 mm	9 mm	24 mm	26.7 mm	6221620	6221625
	B2	4.5-7.5 mm	9 mm	24 mm	26.7 mm	6221630	6221635
	B1	5.0-9.1 mm	9 mm	24 mm	26.7 mm	6221610	6221615
M20x1.5 L threads: 9mm	A1	2.0-6.0 mm	9 mm	27 mm	30.2 mm	6222040	6222045
	B2	4.5-7.5 mm	9 mm	27 mm	30.2 mm	6222060	6222065
	B1	5.0-9.1 mm	9 mm	27 mm	30.2 mm	6222030	6222035
	C2	6.0-10.0 mm	9 mm	27 mm	30.2 mm	6222020	6222025
	C3	8.5-13.0 mm	9 mm	27 mm	30.2 mm	6222050	6222055
	C1	9.0-14.3 mm	9 mm	27 mm	30.2 mm	6222010	6222015
M25x1.5 L threads: 9mm	A1	2.0-6.0 mm	9 mm	32 mm	36 mm	6222560	6222565
	B2	4.5-7.5 mm	9 mm	32 mm	36 mm	6222590	6222595
	B1	5.0-9.1 mm	9 mm	32 mm	36 mm	6222550	6222555
	C2	6.0-10.0 mm	9 mm	32 mm	36 mm	6222540	6222545
	C3	8.5-13.0 mm	9 mm	32 mm	36 mm	6222580	6222585
	C1	9.0-14.3 mm	9 mm	32 mm	36 mm	6222530	6222535
	D2	11.0-15.0 mm	9 mm	32 mm	36 mm	6222520	6222525
	D9	13.0-17.0 mm	9 mm	32 mm	36 mm	6222570	6222575
	D1	15.0-20.1 mm	9 mm	32 mm	36 mm	6222510	6222515
M32x1.5 L threads: 9mm	D1	15.0-20.1 mm	9 mm	42 mm	47.5 mm	6223220	6223225
	E2	18.0-23.0 mm	9 mm	42 mm	47.5 mm	6223230	6223235
	E1	20.0-26.5 mm	9 mm	42 mm	47.5 mm	6223210	6223215
M16x1.5 L threads: 15mm	A1	2.0-6.0 mm	15 mm	24 mm	26.7 mm	6221621	6221626
	B2	4.5-7.5 mm	15 mm	24 mm	26.7 mm	6221631	6221636
	B1	5.0-9.1 mm	15 mm	24 mm	26.7 mm	6221611	6221616
M20x1.5 L threads: 15mm	A1	2.0-6.0 mm	15 mm	27 mm	30.2 mm	6222041	6222046
	B2	4.5-7.5 mm	15 mm	27 mm	30.2 mm	6222061	6222066
	B1	5.0-9.1 mm	15 mm	27 mm	30.2 mm	6222031	6222036
	C2	6.0-10.0 mm	15 mm	27 mm	30.2 mm	6222021	6222026
	C3	8.5-13.0 mm	15 mm	27 mm	30.2 mm	6222051	6222056
	C1	9.0-14.3 mm	15 mm	27 mm	30.2 mm	6222011	6222016



R. STAHL TRANBERG AS

Main office | Strandsvingen 6 | N-4032 Stavanger, Norway | T +47 51 57 89 00 | E info.no-st@r-stahl.com | stahl-tranberg.com

Oslo office | Luhrtoppen 2 | N-1470 Lørenskog, Norway | T +47 24 08 44 10 | E info.no-os@r-stahl.com | stahl-tranberg.com

# TRANBERG® CABLE GLAND

TEF E204-622

Zone 1, Zone 2 & Safe Area

Entry thread	Sealing code	Clamping range	Entry length	Across flats	Across corners	Part No. Brass	Part No. AISI 316
M25x1.5 L threads: 15mm	A1	2.0-6.0 mm	15 mm	32 mm	36 mm	6222561	6222566
	B2	4.5-7.5 mm	15 mm	32 mm	36 mm	6222591	6222596
	B1	5.0-9.1 mm	15 mm	32 mm	36 mm	6222551	6222556
	C2	6.0-10.0 mm	15 mm	32 mm	36 mm	6222541	6222546
	C3	8.5-13.0 mm	15 mm	32 mm	36 mm	6222581	6222586
	C1	9.0-14.3 mm	15 mm	32 mm	36 mm	6222531	6222536
	D2	11.0-15.0 mm	15 mm	32 mm	36 mm	6222521	6222526
	D9	13.0-17.0 mm	15 mm	32 mm	36 mm	6222571	6222576
	D1	15.0-20.1 mm	15 mm	32 mm	36 mm	6222511	6222516
M32x1.5 L threads: 15mm	D1	15.0-20.1 mm	15 mm	42 mm	47.5 mm	6223221	6223226
	E2	18.0-23.0 mm	15 mm	42 mm	47.5 mm	6223231	6223236
	E1	20.0-26.5 mm	15 mm	42 mm	47.5 mm	6223211	6223216
M40x1.5 L threads: 15mm	E2	18.0-23.0 mm	15 mm	50 mm	57 mm	6224041	-
	E1	20.0-26.5 mm	15 mm	50 mm	57 mm	6224021	6224026
	F2	23.0-29.0 mm	15 mm	50 mm	57 mm	6224031	6224036
	F1	26.5-32.4 mm	15 mm	50 mm	57 mm	6224011	6224016
M50x1.5 L threads: 15mm	G2	29.0-35.0 mm	15 mm	65 mm	74 mm	6225041	6225046
	G1	32.0-38.5 mm	15 mm	65 mm	74 mm	6225011	6225016
	H1	35.0-41.0 mm	15 mm	65 mm	74 mm	6225021	6225026
	I2	38.4-43.0 mm	15 mm	65 mm	74 mm	6225051	6225056
	I1	40.0-44.5 mm	15 mm	65 mm	74 mm	6225031	6225036
M63x1.5 L threads: 15mm	J2	42.0-46.0 mm	15 mm	80 mm	90.5 mm	6226331	6226336
	J1	44.0-50.5 mm	15 mm	80 mm	90.5 mm	6226311	6226316
	K2	47.0-53.0 mm	15 mm	80 mm	90.5 mm	6226341	6226346
	K1	50.0-56.5 mm	15 mm	80 mm	90.5 mm	6226321	6226326

# TRANBERG® CABLE GLAND

TEF E204-622

Zone 1, Zone 2 & Safe Area

Entry thread	Sealing code	Clamping range	Entry length	Across flats	Across corners	Part No. Brass	Part No. AISI 316
M75x1.5 L threads: 15mm	L3	53.0-58.0 mm	15 mm	90 mm	102 mm	6227541	6227546
	L1	55.0-59.0 mm	15 mm	90 mm	102 mm	6227511	6227516
	L4	56.0-62.0 mm	15 mm	90 mm	102 mm	6227551	6227556
	L2	58.0-63.0 mm	15 mm	90 mm	102 mm	6227521	6227526
	M2	60.0-66.0 mm	15 mm	90 mm	102 mm	6227561	6227566
	M1	62.0-68.0 mm	15 mm	90 mm	102 mm	6227531	6227536
M90x1.5 L threads: 15mm	N2	65.0-70.0 mm	15 mm	110 mm	125 mm	6229041	6229046
	N1	68.0-72.0 mm	15 mm	110 mm	125 mm	6229011	6229016
	O3	69.0-75.0 mm	15 mm	110 mm	125 mm	6229051	6229056
	O1	72.0-78.0 mm	15 mm	110 mm	125 mm	6229021	6229026
	O4	75.0-81.0 mm	15 mm	110 mm	125 mm	6229061	6229066
	O2	78.0-83.0 mm	15 mm	110 mm	125 mm	6229031	6229036

## Part numbers with lock nut *(For more information on lock nut see separate datasheet TPS1092)*

Entry thread	Sealing code	Clamping range	Entry length	Across flats	Across corners	Part No. Brass	Part No. AISI 316
M25x1.5	D2	11.0-15.0 mm	9 mm	32 mm	36 mm	6222522	-
M25x1.5	D9	13.0-17.0 mm	9 mm	32 mm	36 mm	6222532	-
M25x1.5	D1	15.0-20.1 mm	9 mm	32 mm	36 mm	6222512	-



R. STAHL TRANBERG AS

Main office | Strandsvingen 6 | N-4032 Stavanger, Norway | T +47 51 57 89 00 | E info.no-st@r-stahl.com | stahl-tranberg.com

Oslo office | Luhrtoppen 2 | N-1470 Lørenskog, Norway | T +47 24 08 44 10 | E info.no-os@r-stahl.com | stahl-tranberg.com