

# TRANBERG® JUNCTION BOX

TEF 1058

Zone 1, Zone 2 & Safe Area



Tranberg has manufactured junction boxes for hazardous areas since the beginning of the Norwegian oil history.

Our solutions for junction boxes are developed together with customers to meet the demands for flexibility and best solutions. The TEF 1058 product serie is certified to both ATEX and IECEx.

Development and manufacturing of this product is done at our factory in Stavanger, Norway.

## Application

- Suitable for use in hazardous area, zone 1, zone 2 and safe area.
- The TEF 1058 series are used for a wide range of installations. E.G. Electro, Instrument and Telecom.

## Features and benefits

- To be equipped according to component list.
- Only appropriate ATEX/IECEx certified glands, blanks and adaptors must be used.

## Approvals and certificates

IECEx certificate No.: IECEx NEM 14.0001

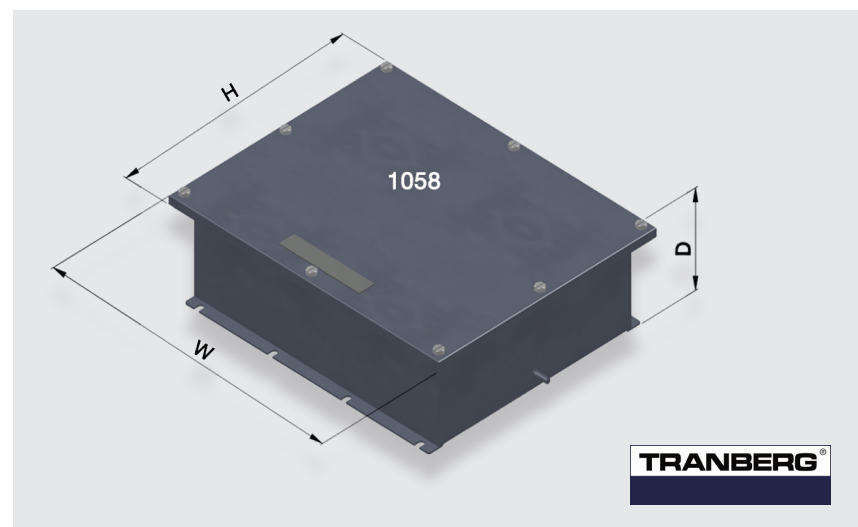
ATEX certificate No.: Presafe 14 ATEX 4124

## Compliance standards:

Directive 2014/34/EU

*Refer to EU Declaration of conformity for more details.*

*Refer to UK Declaration of conformity for more details.*



## Technical Data

Material housing:	Stainless steel AISI 316L / EN 1.4404
Material gasket:	EPDM / Silicone
Finish:	Electro polished / Bright chemical dip
Earthing:	Inside on busbar or terminals. External earth bolt on mid right side.
Ingress protection:	IP66 / IP67
Ambient temperature:	Empty enclosure w/ EPDM gasket: -40°C to +80°C Empty enclosure w/ silicone gasket: -60°C to +135°C Equipped enclosure depends on the amb. temp. for the internal components.
Ex protection:	II 2 G Ex eb IIC T5 Gb

TRANBERG STAHL

THE STRONGEST LINK.

## R. STAHL TRANBERG AS

Main office | Strandsvingen 6 | N-4032 Stavanger, Norway | T +47 51 57 89 00 | E info.no-st@r-stahl.com | stahl-tranberg.com

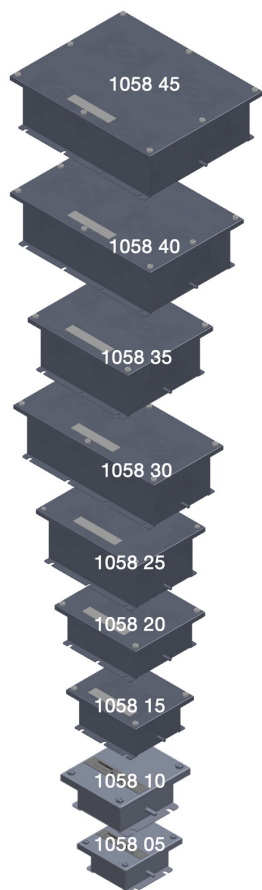
Oslo office | Lührtoppen 2 | N-1470 Lørenskog, Norway | T +47 24 08 44 10 | E info.no-os@r-stahl.com | stahl-tranberg.com

# TRANBERG® JUNCTION BOX

TEF 1058

Zone 1, Zone 2 & Safe Area

## Dimensions



<b>1058 45</b>	Internal dim.
W=353	W=318
H=285	H=250
D=108	D=100

<b>1058 40</b>	Internal dim.
W=353	W=318
H=235	H=200
D=108	D=100

<b>1058 35</b>	Internal dim.
W=253	W=218
H=215	H=180
D=108	D=100

<b>1058 30</b>	Internal dim.
W=353	W=318
H=175	H=140
D=108	D=100

<b>1058 25</b>	Internal dim.
W=253	W=218
H=175	H=140
D=108	D=100

<b>1058 20</b>	Internal dim.
W=205	W=170
H=175	H=140
D=78	D=70

<b>1058 15</b>	Internal dim.
W=175	W=140
H=147	H=112
D=78	D=70

<b>1058 10</b>	Internal dim.
W=125	W=90
H=147	H=112
D=78	D=70

<b>1058 05</b>	Internal dim.
W=115	W=80
H=135	H=100
D=58	D=50

