

# TRANBERG® JUNCTION BOX

TEF 1058, Size 05, Max. 4mm<sup>2</sup> 750V

Zone 1, Zone 2 & Safe Area



Tranberg has manufactured junction boxes for hazardous areas since the beginning of the Norwegian oil history.

Our solutions for junction boxes are developed together with customers to meet the demands for flexibility and best solutions. This model is certified to both ATEX and IECEx.

Development and manufacturing of this product is done at our factory in Stavanger, Norway.

## Application

- Suitable for use in hazardous area, zone 1, zone 2 and safe area.
- The TEF 1058 series are used for a wide range of installations. E.G. Electro, Instrument and Telecom.

## Features and benefits

- To be equipped according to component list.
- Only appropriate ATEX/IECEx certified glands, blanks and adaptors must be used.

## Approvals and certificates

IECEx certificate No.: IECEx NEM 14.0001

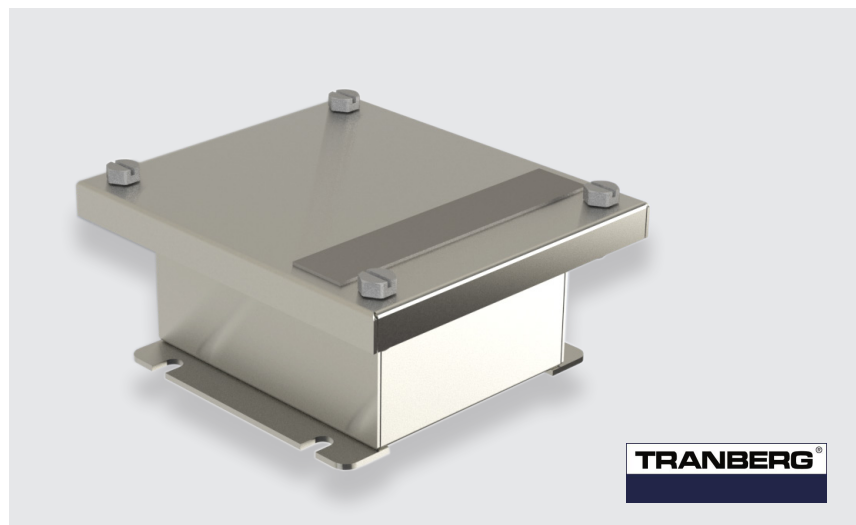
ATEX certificate No.: Presafe 14 ATEX 4124

## Compliance standards:

Directive 2014/34/EU

Refer to EU Declaration of conformity for more details.

Refer to UK Declaration of conformity for more details.



## Technical Data

Material housing:	Stainless steel AISI 316L / EN 1.4404
Material gasket:	EPDM / Silicone
Finish:	Electro polished / Bright chemical dip
Earthing:	Inside on busbar or terminals. External earth bolt on mid right side.
Ingress protection:	IP66 / IP67
Ambient temperature:	Empty enclosure w/ EPDM gasket: -40°C to +80°C Empty enclosure w/ silicone gasket: -60°C to +135°C Equipped enclosure depends on the amb. temp. for the internal components.
Weight:	Approx. 0,6 kg (empty box)
Ex protection:	Ex II 2 G Ex eb IIC T5 Gb

TRANBERG STAHL

THE STRONGEST LINK.

## R. STAHL TRANBERG AS

Main office | Strandsvingen 6 | N-4032 Stavanger, Norway | T +47 51 57 89 00 | E info.no-st@r-stahl.com | stahl-tranberg.com

Oslo office | Lührtoppen 2 | N-1470 Lørenskog, Norway | T +47 24 08 44 10 | E info.no-os@r-stahl.com | stahl-tranberg.com

# TRANBERG® JUNCTION BOX

TEF 1058, Size 05, Max. 4mm<sup>2</sup> 750V

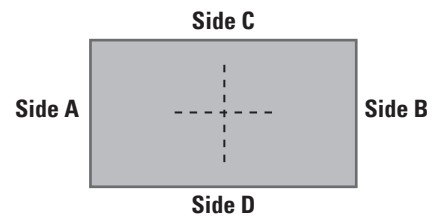
Zone 1, Zone 2 & Safe Area

## Part No Matrix

Product series	Finish / Design	Type
105805	0 Bright chemical dip	0 Empty box
	1 Electro polished	1 With horizontal terminal rail and PE bus bar
	2 Arctic version	

## Recommended number of cable glands

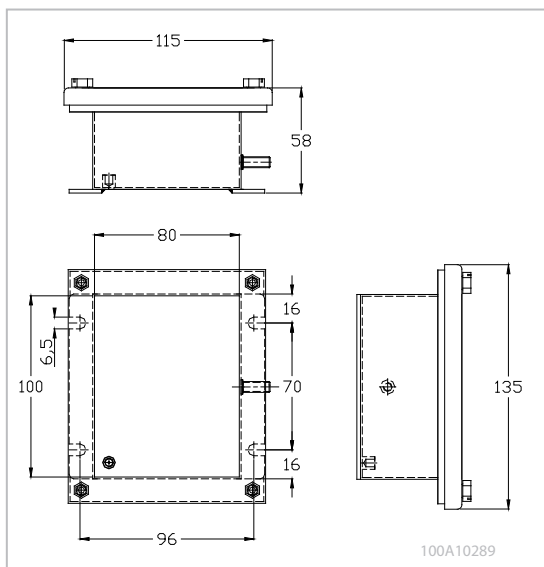
Cable gland threads	Side A/B	Side C/D
M16	2 pcs	2 pcs
M20	2 pcs	2 pcs
M25	2 pcs	2 pcs



Conductor size mm <sup>2</sup>		1,5	2,5	4	6	10	16
Current (A)	3	12	12	12			
	10	11					
	16		10				
	20			9			
	25						
	35						
	63						

Max. no of conductors for given cross-section and load.

## Dimensions



Dimensions	Height	Width	Depth
Internal dimensions	100 mm	80 mm	50 mm
External dimensions	135 mm	115 mm	58 mm