

TRANBERG® ADAPTORS

TEF 66x Ex e / Ex d Metric Male Threads

Zone 1, Zone 2 & Safe Area



Adaptors are very practical and forms a cost-effective solution when you need to install new cable glands in enclosures with different hole diameters.

Stahl Tranberg have a wide variety of adaptors, in various designs, and available in brass or stainless steel. (316). This model is certified to both ATEX and IECEx.

Development and manufacturing of this product is done at our factory in Stavanger, Norway.

Application

- Outdoor or indoor.
- Suitable for use in hazardous area, zone 1, zone 2 and safe area.

Features and benefits

- Available in brass and stainless steel AISI 316 (EN 1.4401).
- O-ring seal.
- May be delivered according to customer specifications in several combinations and sizes within the following thread types: Metric and NPT (female only).

Approvals and certificates

IECEx certificate No.: IECEx NEM 13.0025X
ATEX certificate No.: NEMKO 13 ATEX 1553X

Compliance standards:

Directive 2014/34/EU

IEC 60079-0-*

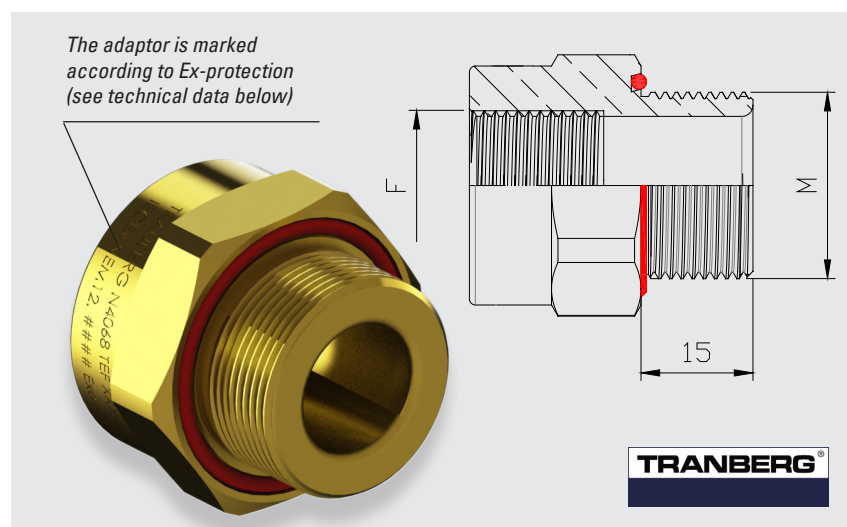
IEC 60079-7-*

IEC 60079-1-*

* Refer to EU Declaration of conformity for more details.

Special conditions for use:

Only one adaptor is permitted for each cable entry. Blanking elements shall not be used with adaptors. When NPT threads are used with Ex d enclosure, threads must conform to ANSI/ASME B1.20.1



Technical Data

Material cable gland:	Brass or stainless steel
Material O-ring:	Silicone Shore A 70 Red
Entry threads:	Metric
Ingress protection:	IP66/67
Ambient temperature:	-60°C to +135°C
Ex protection:	Ex II 2 G Ex d/ Ex e IIC Gb
	Ex II 2 G Ex eb IIC

TRANBERG STAHL

THE STRONGEST LINK.

R. STAHL TRANBERG AS

Main office | Strandsvingen 6 | N-4032 Stavanger, Norway | T +47 51 57 89 00 | E info.no-st@r-stahl.com | stahl-tranberg.com
Oslo office | Luhrtoppen 2 | N-1470 Lørenskog, Norway | T +47 24 08 44 10 | E info.no-os@r-stahl.com | stahl-tranberg.com

TRANBERG® ADAPTORS

TEF 66x Ex e / Ex d Metric Male Threads

Zone 1, Zone 2 & Safe Area

Description	Male thread	Female thread	Entry length	Across flats	Across corners	Weight Brass	Weight AISI 316	Part No. Brass	Part No. AISI 316
Adaptor Exe/Exd: TEF660	M16x1.5	M20x1.5	15 mm	27 mm	30 mm	80,5 g	75,5 g	6600121	6600126
Adaptor Exe/Exd: TEF660	M16x1.5	M25x1.5	15 mm	30 mm	33 mm	82 g	77 g	6600131	6600136
Adaptor Exe/Exd: TEF660	M20x1.5	M25x1.5	15 mm	30 mm	33 mm	83,5 g	78 g	6600231	6600236
Adaptor Exe/Exd: TEF660	M20x1.5	M32x1.5	15 mm	38 mm	41 mm	124 g	115,5 g	6600241	6600246
Adaptor Exe/Exd: TEF660	M20x1.5	1/2" NPT	15 mm	27 mm	30 mm	85 g	78 g	6602211	6602216
Adaptor Exe/Exd: TEF660	M20x1.5	3/4" NPT	15 mm	32 mm	35 mm	106,5 g	100 g	6602221	6600226
Adaptor Exe/Exd: TEF660	M20x1.5	M16x1.5	15 mm	27 mm	30 mm	97 g	91 g	6600211	6600216
Adaptor Exe/Exd: TEF660	M25x1.5	M20x1.5	15 mm	32 mm	35 mm	131 g	123 g	6600321	6600326
Adaptor Exe/Exd: TEF660	M25x1.5	M32x1.5	15 mm	38 mm	41 mm	121,5 g	113 g	6600341	6600346
Adaptor Exe/Exd: TEF660	M25x1.5	M40x1.5	15 mm	46 mm	50 mm	161,5 g	151 g	6600351	6600356
Adaptor Exe/Exd: TEF660	M25x1.5	1/2" NPT	15 mm	32 mm	35 mm	139,5 g	131 g	6602311	6602316
Adaptor Exe/Exd: TEF660	M25x1.5	3/4" NPT	15 mm	32 mm	35 mm	102,5 g	96,5 g	6602321	6602326
Adaptor Exe/Exd: TEF660	M32x1.5	M20x1.5	15 mm	42 mm	47 mm	289 g	271,5 g	6600421	6600426
Adaptor Exe/Exd: TEF660	M32x1.5	M25x1.5	15 mm	42 mm	47 mm	235 g	220,5 g	6600431	6600436
Adaptor Exe/Exd: TEF660	M32x1.5	M32x1.5	15 mm	42 mm	47 mm	184 g	172,5 g	6600441	6600446
Adaptor Exe/Exd: TEF660	M32x1.5	M40x1.5	15 mm	46 mm	50 mm	171 g	160 g	6600451	6600456
Adaptor Exe/Exd: TEF660	M32x1.5	M50x1.5	15 mm	60 mm	65 mm	303 g	284 g	6600461	6600466
Adaptor Exe/Exd: TEF660	M32x1.5	3/4" NPT	15 mm	42 mm	47 mm	261 g	245,5 g	6602421	6602426
Adaptor Exe/Exd: TEF660	M40x1.5	M20x1.5	15 mm	50 mm	57 mm	461,5 g	434 g	6600521	6600526
Adaptor Exe/Exd: TEF660	M40x1.5	M25x1.5	15 mm	50 mm	57 mm	408 g	383 g	6600531	6600536
Adaptor Exe/Exd: TEF660	M40x1.5	M32x1.5	15 mm	50 mm	57 mm	311 g	292 g	6600541	6600546
Adaptor Exe/Exd: TEF660	M40x1.5	M50x1.5	15 mm	60 mm	67 mm	293 g	278,5 g	6600561	6600566
Adaptor Exe/Exd: TEF660	M50x1.5	M20x1.5	15 mm	65 mm	74 mm	826 g	777 g	6600621	6600626
Adaptor Exe/Exd: TEF660	M50x1.5	M25x1.5	15 mm	65 mm	74 mm	772 g	726 g	6600631	6600636
Adaptor Exe/Exd: TEF660	M50x1.5	M32x1.5	15 mm	65 mm	74 mm	675 g	635 g	6600641	6600646
Adaptor Exe/Exd: TEF660	M50x1.5	M40x1.5	15 mm	65 mm	74 mm	534 g	502 g	6600651	6600656
Adaptor Exe/Exd: TEF660	M50x1.5	M63x1.5	15 mm	70 mm	78 mm	325,5 g	305 g	6600671	6600676
Adaptor Exe/Exd: TEF660	M63x1.5	M32x1.5	15 mm	80 mm	90 mm	1168 g	1096 g	6600741	6600746
Adaptor Exe/Exd: TEF660	M63x1.5	M40x1.5	15 mm	80 mm	90 mm	1027 g	966 g	6600751	6600756
Adaptor Exe/Exd: TEF660	M63x1.5	M50x1.5	15 mm	80 mm	90 mm	805 g	756 g	6600761	6600766
Adaptor Exe/Exd: TEF660	M63x1.5	M75x1.5	15 mm	90 mm	100 mm	618 g	578 g	6600781	6600786
Adaptor Exe/Exd: TEF660	M75x1.5	M32x1.5	15 mm	90 mm	100 mm	1603 g	1506 g	6600841	6600846
Adaptor Exe/Exd: TEF660	M75x1.5	M40x1.5	15 mm	90 mm	100 mm	1462 g	1373 g	6600851	6600856
Adaptor Exe/Exd: TEF660	M75x1.5	M50x1.5	15 mm	90 mm	100 mm	1240 g	1164 g	6600861	6600866
Adaptor Exe/Exd: TEF660	M75x1.5	M63x1.5	15 mm	90 mm	100 mm	876 g	822 g	6600871	6600871
Adaptor Exe/Exd: TEF660	M90x1.5	M75x1.5	15 mm	110 mm	125 mm	1452 g	1366 g	6600981	6600981



R. STAHL TRANBERG AS

Main office | Strandsvingen 6 | N-4032 Stavanger, Norway | T +47 51 57 89 00 | E info.no-st@r-stahl.com | stahl-tranberg.com

Oslo office | Luhrtoppen 2 | N-1470 Lørenskog, Norway | T +47 24 08 44 10 | E info.no-os@r-stahl.com | stahl-tranberg.com