

TRANBERG® ADAPTORS

TEF 66x Ex e / Ex d NPT Male Threads

Zone 1, Zone 2 & Safe Area



Adaptors are very practical and forms a cost-effective solution when you need to install new cable glands in enclosures with different hole diameters.

Stahl Tranberg have a wide variety of adaptors, in various designs, and available in brass or stainless steel. (316). This model is certified to both ATEX and IECEx.

Development and manufacturing of this product is done at our factory in Stavanger, Norway.

Application

- Outdoor or indoor.
- Suitable for use in hazardous area, zone 1, zone 2 and safe area.

Features and benefits

- Available in brass and stainless steel AISI 316 (EN 1.4401).
- May be delivered according to customers specifications in several combinations and sizes.

Approvals and certificates

IECEx certificate No.: IECEx NEM 13.0025X

ATEX certificate No.: NEMKO 13 ATEX 1553X

Compliance standards:

Directive 2014/34/EU

IEC 60079-0-*

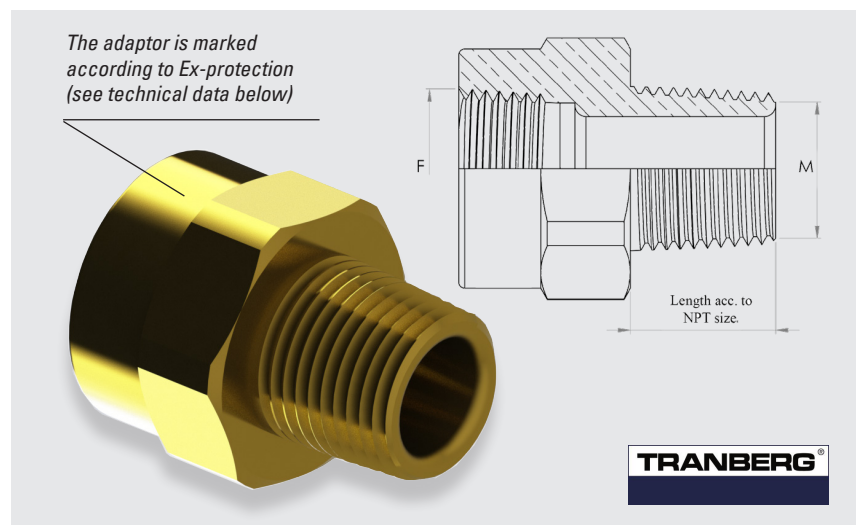
IEC 60079-7-*

IEC 60079-1-*

* Refer to EU Declaration of conformity for more details.

Special conditions for use:

Only one adaptor is permitted for each cable entry. Blanking elements shall not be used with adaptors. When NPT threads are used with Ex d enclosure, threads must conform to ANSI/ASME B1.20.1



Technical Data

Material cable gland:	Brass or stainless steel
Entry threads:	NPT
Ingress protection:	IP54
Ambient temperature:	-60°C to +135°C
Ex protection:	⊕ II 2 G Ex d/ Ex e IIC Gb
	⊕ II 2 G Ex eb IIC

TRANBERG STAHL

THE STRONGEST LINK.

R. STAHL TRANBERG AS

Main office | Strandsvingen 6 | N-4032 Stavanger, Norway | T +47 51 57 89 00 | E info.no-st@r-stahl.com | stahl-tranberg.com

Oslo office | Luhrtoppen 2 | N-1470 Lørenskog, Norway | T +47 24 08 44 10 | E info.no-os@r-stahl.com | stahl-tranberg.com

TRANBERG® ADAPTORS

TEF 66x Ex e / Ex d NPT Male Threads

Zone 1, Zone 2 & Safe Area

Description	Male thread	Female thread	Across flats	Across corners	Weight Brass	Weight AISI 316	Part No. Brass	Part No. AISI 316
Adaptor Exe/Exd: TEF660	1/2" NPT	M16x1.5	27 mm	30 mm	116 g	110 g	6608111	6608116
Adaptor Exe/Exd: TEF660	1/2" NPT	M20x1.5	32 mm	35 mm	148 g	140 g	6608121	6608126
Adaptor Exe/Exd: TEF660	1/2" NPT	M25x1.5	32 mm	35 mm	125 g	117 g	6608131	6608136
Adaptor Exe/Exd: TEF660	1/2" NPT	1/2" NPT	27 mm	30 mm	108 g	101 g	6606111	6606116
Adaptor Exe/Exd: TEF660	1/2" NPT	3/4" NPT	32 mm	35 mm	130 g	123 g	6606121	6606126
Adaptor Exe/Exd: TEF660	3/4" NPT	M20x1.5	32 mm	35 mm	161 g	152 g	6608221	6608226
Adaptor Exe/Exd: TEF660	3/4" NPT	M25x1.5	32 mm	35 mm	133 g	125 g	6608231	6608236
Adaptor Exe/Exd: TEF660	3/4" NPT	1/2" NPT	32 mm	35 mm	170 g	160 g	6606211	6606216
Adaptor Exe/Exd: TEF660	3/4" NPT	3/4" NPT	32 mm	35 mm	136 g	128 g	6606221	6606226
Adaptor Exe/Exd: TEF660	3/4" NPT	1" NPT	38 mm	41 mm	158 g	149 g	6606231	6606236
Adaptor Exe/Exd: TEF660	3/4" NPT	1 1/4" NPT	46 mm	50 mm	208 g	196 g	6606241	6606246
Adaptor Exe/Exd: TEF660	1" NPT	M20x1.5	38 mm	41 mm	306 g	288 g	6608321	6608326
Adaptor Exe/Exd: TEF660	1" NPT	M25x1.5	38 mm	41 mm	238 g	225 g	6608331	6608336
Adaptor Exe/Exd: TEF660	1" NPT	M32x1.5	42 mm	47 mm	231 g	218 g	6608341	6608346
Adaptor Exe/Exd: TEF660	1" NPT	M40x1.5	46 mm	50 mm	220 g	207 g	6608351	6608356
Adaptor Exe/Exd: TEF660	1" NPT	1/2" NPT	38 mm	41 mm	315 g	300 g	6606311	6606316
Adaptor Exe/Exd: TEF660	1" NPT	3/4" NPT	38 mm	41 mm	245 g	231 g	6606321	6606326
Adaptor Exe/Exd: TEF660	1" NPT	1" NPT	38 mm	41 mm	185 g	174 g	6606331	6606336
Adaptor Exe/Exd: TEF660	1" NPT	1 1/4" NPT	46 mm	50 mm	233 g	219 g	6606341	6606346
Adaptor Exe/Exd: TEF660	1 1/4" NPT	M20x1.5	50 mm	57 mm	622 g	585 g	6608421	6608426
Adaptor Exe/Exd: TEF660	1 1/4" NPT	M25x1.5	50 mm	57 mm	551 g	519 g	6608431	6608436
Adaptor Exe/Exd: TEF660	1 1/4" NPT	M32x1.5	50 mm	57 mm	423 g	398 g	6608441	6608446
Adaptor Exe/Exd: TEF660	1 1/4" NPT	M40x1.5	50 mm	57 mm	370 g	348 g	6608451	6608456
Adaptor Exe/Exd: TEF660	1 1/4" NPT	1/2" NPT	50 mm	57 mm	632 g	595 g	6608411	6608416
Adaptor Exe/Exd: TEF660	1 1/2" NPT	M20x1.5	60 mm	67 mm	911 g	858 g	6608521	6608526
Adaptor Exe/Exd: TEF660	1 1/2" NPT	M25x1.5	60 mm	67 mm	840 g	790 g	6608531	6608536
Adaptor Exe/Exd: TEF660	1 1/2" NPT	M32x1.5	60 mm	67 mm	711 g	669 g	6608541	6608546
Adaptor Exe/Exd: TEF660	1 1/2" NPT	M40x1.5	60 mm	67 mm	522 g	492 g	6608551	6608556
Adaptor Exe/Exd: TEF660	1 1/2" NPT	1 1/4" NPT	60 mm	67 mm	543 g	511 g	6606541	6606546
Adaptor Exe/Exd: TEF660	1 1/2" NPT	1" NPT	60 mm	67 mm	741 g	698 g	6606531	6606536
Adaptor Exe/Exd: TEF660	2" NPT	M25x1.5	70 mm	78 mm	1313 g	1236 g	6608631	6608636
Adaptor Exe/Exd: TEF660	2" NPT	M40x1.5	70 mm	78 mm	991 g	933 g	6608651	6608656
Adaptor Exe/Exd: TEF660	2" NPT	M50x1.5	70 mm	78 mm	689 g	649 g	6608661	6608666
Adaptor Exe/Exd: TEF660	2" NPT	M63x1.5	70 mm	78 mm	494 g	465 g	6608671	6608676
Adaptor Exe/Exd: TEF660	2" NPT	1 1/4" NPT	70 mm	78 mm	1012 g	952 g	6606641	6606646
Adaptor Exe/Exd: TEF660	2 1/2" NPT	M75x1.5	110 mm	125 mm	1452 g	1366 g	6600981	6600981



R. STAHL TRANBERG AS

Main office | Strandsvingen 6 | N-4032 Stavanger, Norway | T +47 51 57 89 00 | E info.no-st@r-stahl.com | stahl-tranberg.com

Oslo office | Luhrtoppen 2 | N-1470 Lørenskog, Norway | T +47 24 08 44 10 | E info.no-os@r-stahl.com | stahl-tranberg.com

TRANBERG® ADAPTORS

TEF 660 Ex e / Ex d NPT Male Threads

Zone 1, Zone 2 & Safe Area

Description	Male thread	Female thread	Across flats	Across corners	Weight Brass	Weight AISI 316	Part No. Brass	Part No. AISI 316
Adaptor Exe/Exd: TEF660	2 1/2" NPT	M40x1.5	80 mm	90 mm	1885 g	1775 g	6608751	6608756
Adaptor Exe/Exd: TEF660	2 1/2" NPT	M50x1.5	80 mm	90 mm	1580 g	1419 g	6608761	6608766
Adaptor Exe/Exd: TEF660	2 1/2" NPT	M63x1.5	80 mm	90 mm	888 g	836 g	6608771	6608776
Adaptor Exe/Exd: TEF660	2 1/2" NPT	M75x1.5	90 mm	100 mm	1024 g	964 g	6608781	6608786
Adaptor Exe/Exd: TEF660	3" NPT	1 1/4" NPT	100 mm	110 mm	3159 g	2974 g	6606841	6606846
Adaptor Exe/Exd: TEF660	3" NPT	M40x1.5	100 mm	110 mm	3255 g	3064 g	6608851	6608856
Adaptor Exe/Exd: TEF660	3" NPT	M50x1.5	100 mm	110 mm	2868 g	2700 g	6608861	6608866
Adaptor Exe/Exd: TEF660	3" NPT	M63x1.5	100 mm	110 mm	2287 g	2153 g	6608871	6608876



TRANBERG

R. STAHL TRANBERG AS

Main office | Strandsvingen 6 | N-4032 Stavanger, Norway | T +47 51 57 89 00 | E info.no-st@r-stahl.com | stahl-tranberg.com

Oslo office | Lührtoppen 2 | N-1470 Lørenskog, Norway | T +47 24 08 44 10 | E info.no-os@r-stahl.com | stahl-tranberg.com