

TRANBERG® STOPPING PLUG

TEF 793-652 Ex d / Ex e - NPT Threads

Zone 1, Zone 2 & Safe Area



Stopping plugs are required to close unused entries in enclosures. Stahl Tranberg have a wide variety of stopping plugs, in various designs, and available in brass or stainless steel (316).

This model is certified to both ATEX and IECEx.

Development and manufacturing of this product is done at our factory in Stavanger, Norway.

Application

- Outdoor or indoor.
- Suitable for use in hazardous area, zone 1, zone 2 and safe area.

Features and benefits

- Available in brass and stainless steel AISI 316 (EN 1.4401).

Approvals and certificates

IECEx certificate No.: IECEx NEM 13.0025X

ATEX certificate No.: NEMKO 13 ATEX 1553X

Compliance standards:

Directive 2014/34/EU

IEC 60079-0-*

IEC 60079-7-*

IEC 60079-1-*

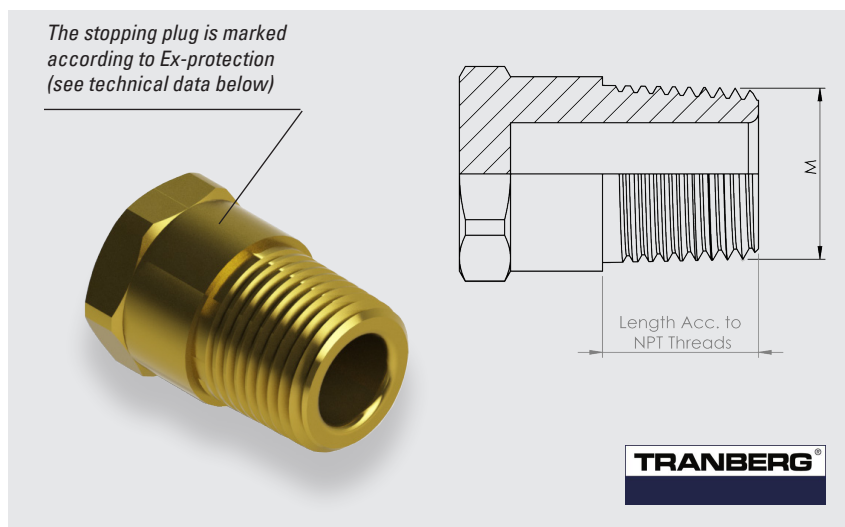
* Refer to EU Declaration of conformity for more details.

Special conditions for use:

Blanking elements shall not be used with adaptors.

When NPT threads are used with Ex d enclosure, threads must conform to ANSI/ASME B1.20.1.

The stopping plug is marked according to Ex-protection (see technical data below)



Technical Data

Material cable gland:	Brass or stainless steel
Ingress protection:	IP54
Ambient temperature:	-60°C to +135°C
Ex protection:	Ex II 2 G Ex db IIC / Ex eb IIC

TRANBERG STAHL

THE STRONGEST LINK.

R. STAHL TRANBERG AS

Main office | Strandsvingen 6 | N-4032 Stavanger, Norway | T +47 51 57 89 00 | E info.no-st@r-stahl.com | stahl-tranberg.com

Oslo office | Luhltoppen 2 | N-1470 Lørenskog, Norway | T +47 24 08 44 10 | E info.no-os@r-stahl.com | stahl-tranberg.com

TRANBERG® STOPPING PLUG

TEF 793-652 Ex d / Ex e - NPT Threads

Zone 1, Zone 2 & Safe Area

Description	Entry thread	Entry length	Across flats	Across corners	Part No. Brass	Part No. AISI 316
Stopping Plug Exe/Exd: TEF793/652	NPT 3/8"	Acc. to NPT threads	19 mm	21 mm	6520101	6520106
Stopping Plug Exe/Exd: TEF793/652	NPT 1/2"	Acc. to NPT threads	27 mm	30 mm	6520201	6520206
Stopping Plug Exe/Exd: TEF793/652	NPT 3/4"	Acc. to NPT threads	30 mm	32 mm	6520301	6520306
Stopping Plug Exe/Exd: TEF793/652	NPT 1"	Acc. to NPT threads	38 mm	43 mm	6520401	6520406
Stopping Plug Exe/Exd: TEF793/652	NPT 1 1/4"	Acc. to NPT threads	46 mm	52 mm	6520501	6520506
Stopping Plug Exe/Exd: TEF793/652	NPT 1 1/2"	Acc. to NPT threads	50 mm	57 mm	6520601	6520606
Stopping Plug Exe/Exd: TEF793/652	NPT 2"	Acc. to NPT threads	-	-	6520701	6520706
Stopping Plug Exe/Exd: TEF793/652	NPT 2 1/2"	Acc. to NPT threads	80 mm	90 mm	6520801	6520806
Stopping Plug Exe/Exd: TEF793/652	NPT 3"	Acc. to NPT threads	-	-	6520901	6520906



R. STAHL TRANBERG AS

Main office | Strandsvingen 6 | N-4032 Stavanger, Norway | T +47 51 57 89 00 | E info.no-st@r-stahl.com | stahl-tranberg.com

Oslo office | Luhrtoppen 2 | N-1470 Lørenskog, Norway | T +47 24 08 44 10 | E info.no-os@r-stahl.com | stahl-tranberg.com