

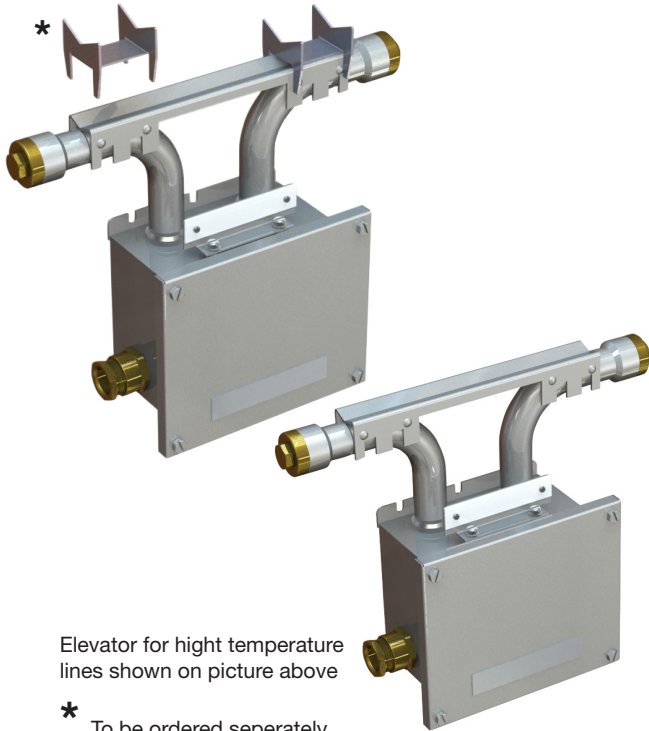
JUNCTION BOX TYPE 1058 HEAT TRACE/ DE-ICE PIPE MOUNTED FOR THERMON CABLES ZONE 1 , ZONE 2 & SAFE AREA

Subject to change without prior notice TPS4633 REV. F 07.07.2017



Tranberg's heat trace boxes are represented in most of the oil installations in the North Sea, and also petrochemical industries and other industries subjected to rough environments.

Tranberg have designed and manufactured heat tracing equipment, and heating applications for rough environments, for more than 25 years. Our product range includes therefore a number of different heat tracing junction boxes.



Elevator for high temperature lines shown on picture above

* To be ordered separately

TECHNICAL DATA

Ex-protection:	Ex II 2 G Ex eb IIC T5
Protection:	IP66 / IP67
Material:	AISI 316L / EN 1.4404
Finish: 1058 1606 & 1058 1616:	Bright chemical dip
Finish: 1058 1646 & 1058 1636:	Electro polished
Voltage:	Max. 10 mm ² 690V
T_{amb} with silicon gasket (standard):	-50°C to +50°C
T_{amb} with EPDM gasket (special):	-20°C to +40°C

APPLICATION

- Hazardous areas
- Chemical and petrochemical industries
- Industrial plants (frost protection or temperature maintenance)
- According to NORSOK requirements

FEATURES AND BENEFITS

- High ingress protection. IP66/67.
- Drainage flange in box prevents penetration of water.
- Manufactured in acid proof stainless steel (AISI 316L)
- Tailor made size and performance is possible.
- Stainless steel Type Label spot welded to the cover.
- Several earthing alternatives.
- Maximum strength and corrosion resistance.
- High operational reliability.
- Low lifetime maintenance cost.
- Thousands of Tranberg's Junction Boxes are installed for decades.

EQUIPPED WITH

- 2 pcs. Transition units with stopping plugs
- 10 pcs. Terminals PHOENIX UT6
- 5 pcs. Ø25 entries

APPROVALS AND CERTIFICATES

Approval:	ATEX: Presafe 14ATEX4124 IECEx: IECEx PRE 14.0001
------------------	--

DESCRIPTION

	Weight	Part No.
Junction box with 5 pc. Ø25 entries. Bight chemical dip. * Note 1 : Label kit not included	1,68 kg.	1058 1606
Junction box with 5 pc. Ø25 entries. Electro polished. * Note 1 : Label kit not included	1.68 kg.	1058 1646
Junction box with 2 pc. cable gland E204/622 M25/D9 (Ø13,0-17,0mm), 2 pc. stopping plug M25 and 1 pc. drainplug M25. Bright chemical dip	2.18 kg.	1058 1616
Junction box with 2 pc. cable gland E204/622 M25/D9 (Ø13,0-17,0mm), 2 pc. stopping plug M25 and 1 pc. drainplug M25. Electro polished	2.18 kg.	1058 1636

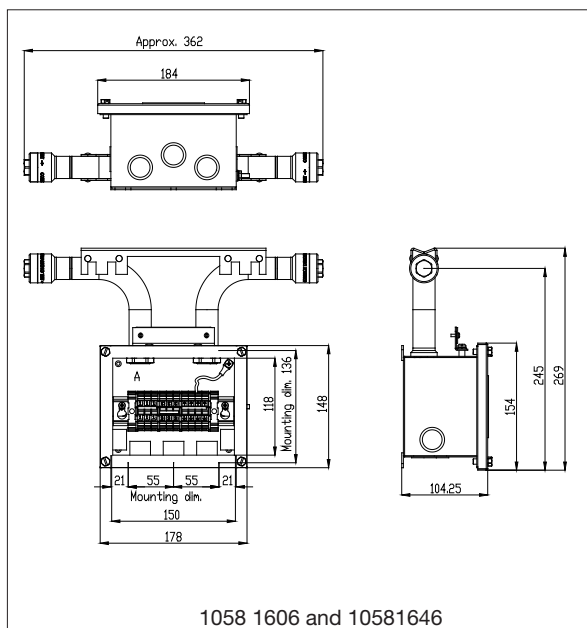
DESCRIPTION ACCESSORIES

	Weight	Part No.
Connection kit for Thermon cables KSX and HTSX, gasket 5x11 (Not for KSX-20 and HTSX-20)	0,06 kg.	9178 223
Connection kit for Thermon cables BSX and VSX, gasket 5x13	0,06 kg.	9178 217
Connection kit for Thermon cables RSX, gasket 5x15	0,06 kg.	9178 218

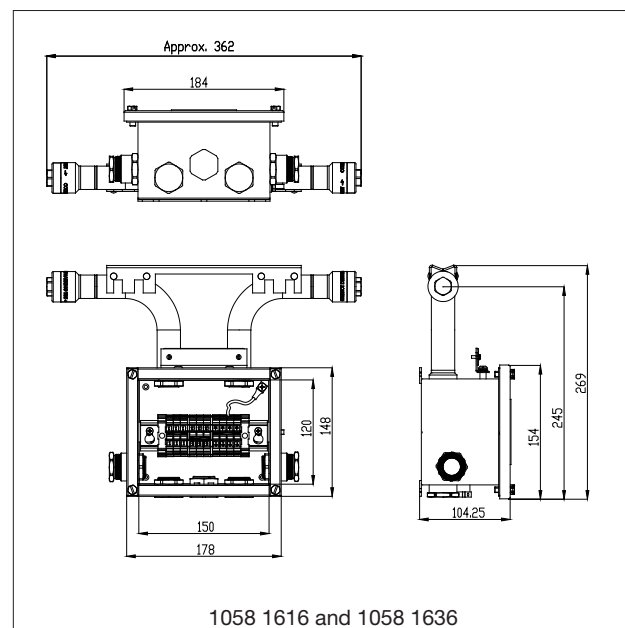
Note: Please see datasheet TPS4968, connection kit for pipe mounting, for more part numbers and details on connection kit.

Elevator for high temperature line		6071
TEF 7731 Cladding exit plates double bend IECE _x		7000 083
Cable Gland Exe: E204/622 M25/D9/9mm (Ø13,0-17,0mm), w/ lock nut	0,1 kg.	6222 532
Cable Gland Exe: E204/622 M25/D1/9mm (Ø15,0-20,1mm), w/ lock nut	0,1 kg.	6222 512
Stopping plug, Brass M25 Exe with lock nut	0,1 kg.	6502 502
Drain plug, Brass M25 Exe with lock nut	0,1 kg.	7302 106
Trafolyte label with mounting kit		9090 025

DIMENSIONS AND ILLUSTRATIONS



100A108870



100A108869